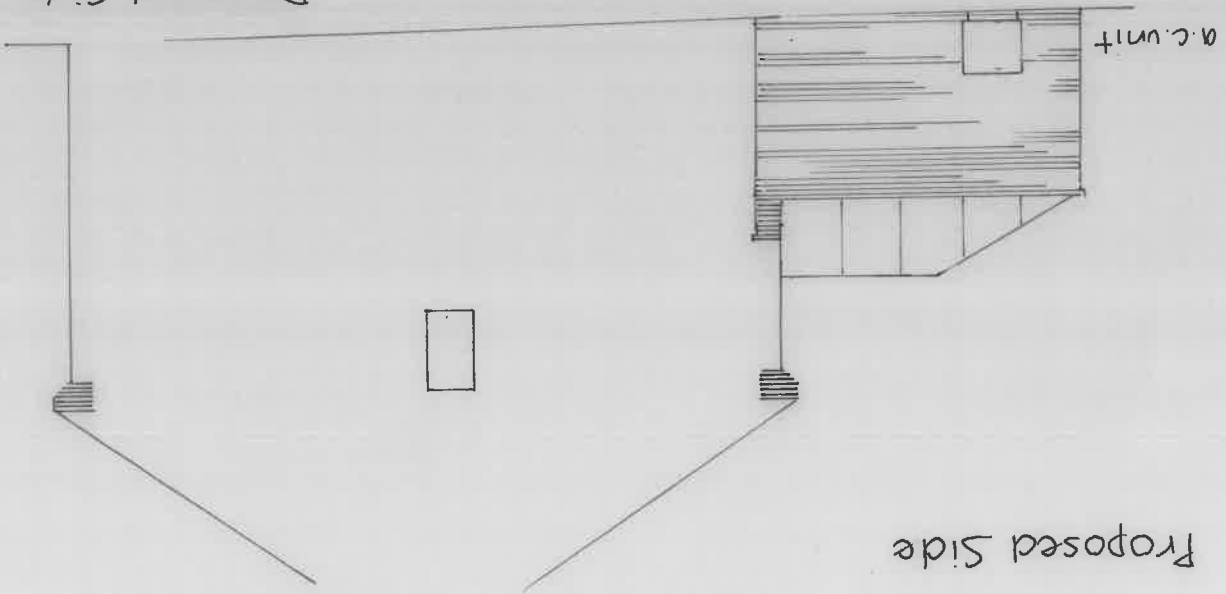
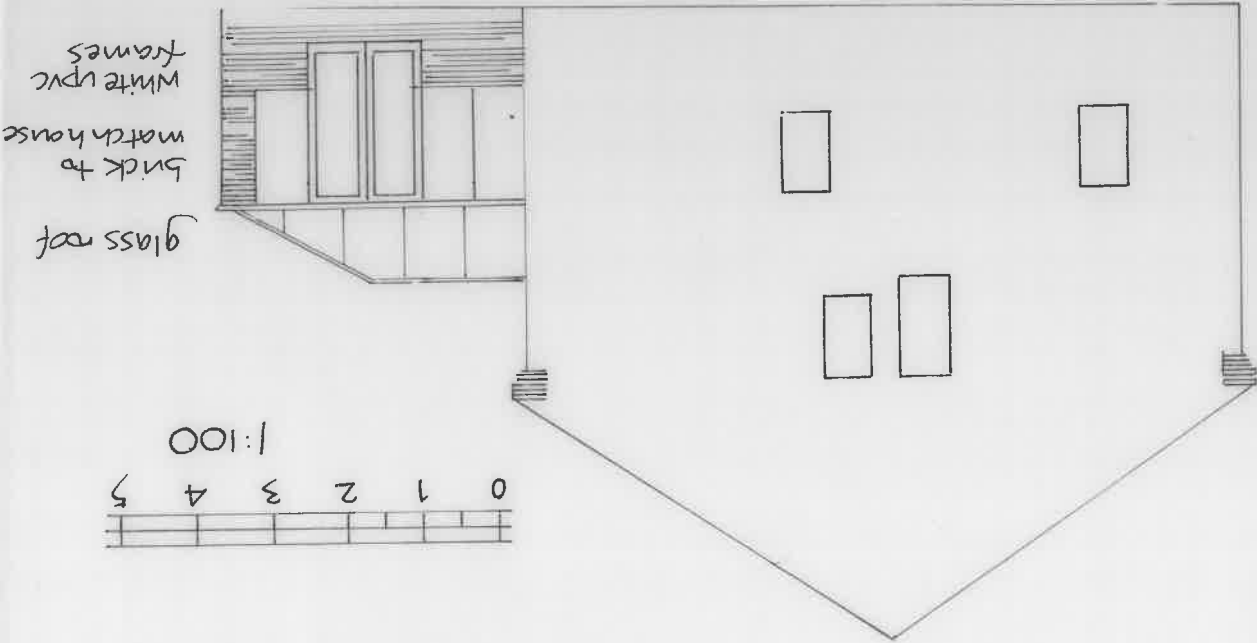


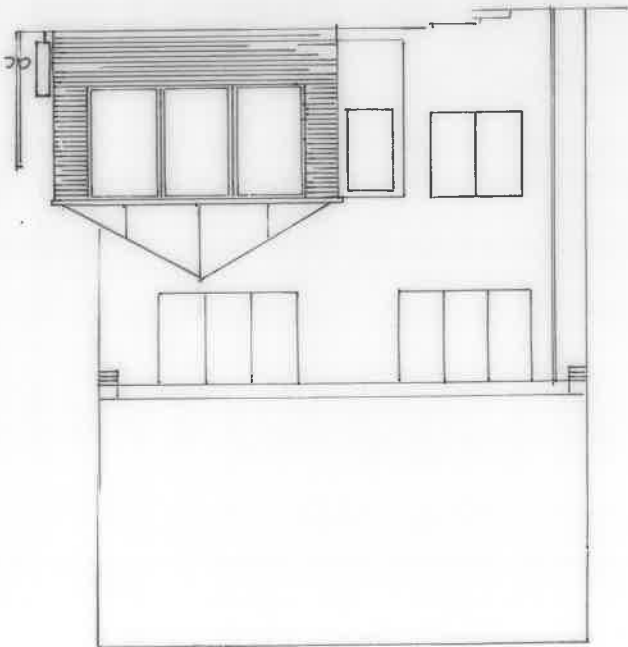
Proposed Side



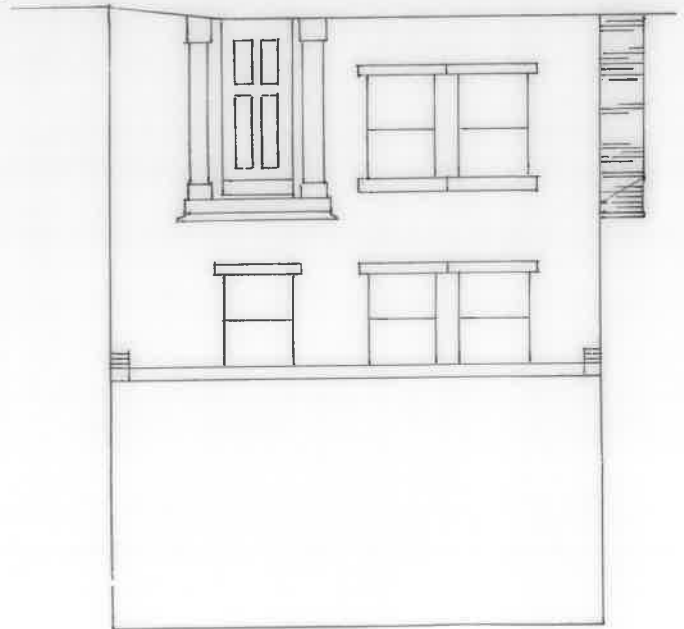
Proposed Side



Proposed Rear



Proposed Front



Specifications

AR35 and AR30 R32

- Digital Inverter Compressor.
- HD Filter system.
- 2-Way Auto Swing function to automatically control airflow direction.
- Fin Protector to protect condenser and optimise Heat Exchanger performance.



Indoor Unit		AR35		AR30			
Indoor Unit	Outdoor Unit	AR09TXHQASINEU AR09TXHQASIXEU	AR12TXHQASINEU AR12TXHQASIXEU	AR18TXHQASINEU AR18TXHQASIXEU	AR24TXHQASINEU AR24TXHQASIXEU	AR09TXHQBWKNEU AR09TXHQBWIXEU	AR12TXHQBWKNEU AR12TXHQBWIXEU
Capacity							
Cooling (Nominal)	kW	2.6	3.5	5.3	7.0	2.6	3.5
Cooling (Min-Max)	kW	0.9-3.4	1.1-4.2	1.8-6.1	2.1-8.0	0.9-3.4	1.1-4.2
Heating @ 47 °C	kW	2.9	3.8	5.3	7.3	2.9	3.8
Heating (Min-Max)	kW	0.8-3.4	1.1-4.2	1.4-6.7	1.6-8.8	0.8-3.4	1.1-4.2
Heating @ -5 °C	kW	TBA	TBA	TBA	TBA	TBA	TBA
Heating @ -10 °C	kW	TBA	TBA	TBA	TBA	TBA	TBA
Heating @ -15 °C	kW	TBA	TBA	TBA	TBA	TBA	TBA
Performance							
Energy Efficiency Cooling	SEER ¹	W/W	6.3/A++	6.1/A++	7.1/A++	6.1/A++	6.1/A++
	Power Consumption	kWh/a	156	211	256	412	211
	Pdesign,c	kW	2.8	3.6	5.2	7.0	2.8
	EER	W/W	3.43	2.90	3.43	2.87	3.43
Energy Efficiency Heating	SCOP ²	W/W	4.0/A++	3.8/A++	4.0/A++	3.9/A++	4.0/A++
	Power Consumption	kWh/a	910	969	1,435	1,723	910
	Pdesign,h (average)	kW	2.6	2.7	4.1	4.8	2.6
	COP ²	W/W	3.91	3.50	3.56	2.71	3.91
Moisture Removal	l/h	1.0	1.2	1.8	2.6	1.0	1.2
Maximum Airflow (Cooling)	Indoor Unit	m ³ /min	277	9.00	14.00	16.33	7.77
	Outdoor Unit	TBA	TBA	TBA	TBA	TBA	TBA
Sound Power	Indoor Unit (Cooling)	dB(A)	55	55	55	59	55
	Outdoor Unit (Cooling)	dB(A)	62	65	63	68	65
Sound Pressure	Indoor Unit High/Silent Mode	dB(A)	36/20	37/22	42/25	43/28	34/20
	Outdoor Unit High	dB(A)	49	50	51	56	49
Operating Temperature Range	Cooling	°C	-10-46	-10-46	-10-46	-10-46	-10-46
	Heating	°C	-15-24	-15-24	-15-24	-15-24	-15-24
Electrical Data							
Power Source	Φ, V, Hz	10, 220-240 V, 50 Hz	10, 220-240 V, 50 Hz	10, 220-240 V, 50 Hz	10, 220-240 V, 50 Hz	10, 220-240 V, 50 Hz	10, 220-240 V, 50 Hz
Compressor Type	Outdoor Unit	Type	Digital Inverter	Digital Inverter	Digital Inverter	Digital Inverter	Digital Inverter
Power Consumption	Cooling	W	3.3	5.3	6.9	10.4	3.3
	Heating	W	3.2	4.7	6.4	11.7	3.2
Operating Current	Cooling	A	770.0	1,213.0	1,539.0	2,450.0	770.0
	Heating	A	750.0	1,088.0	1,480.0	2,700.0	750.0
Dimensions							
Net Dimensions (W x H x D)	Indoor Unit	mm	805 x 285 x 194	805 x 285 x 194	957 x 302 x 213	1,040 x 327 x 220	805 x 285 x 194
	Outdoor Unit	mm	720 x 495 x 270	720 x 495 x 270	800 x 534 x 333	845 x 702 x 363	720 x 495 x 270
Net Weight	Indoor Unit	kg	8.1	8.1	10.5	12.5	8.1
	Outdoor Unit	kg	23.2	23.2	34.0	57.0	23.2
Refrigerant							
Refrigerant	Type	R32 (contains fluorinated greenhouse gases, GWP = 675)					
	Charging (for 5 m)	kg	0.55	0.55	1.00	1.60	0.55
	Charging Ten Equivalent CO ₂	tCO ₂ e	0.37	0.68	0.68	1.10	0.37
	Additional Refrigerant Charging	g/m	12	12	12	12	12
Piping Connections	Liquid Pipe	ø, inch	1/4	1/4	1/4	1/4	1/4
	Gas Pipe	ø, inch	3/8	3/8	3/8	3/8	3/8
Piping Length	Min/Max (ODU to IDU)	m	25	25	30	50	25
Piping Height	Max	m	10	10	20	25	10
Piping Connections	Drain Pipe	ø, mm	TBA	TBA	TBA	TBA	TBA



Indoor Unit		AR33		AR30			
Indoor Unit	Outdoor Unit	AR09TXHQASINEU AR09TXHQASIXEU	AR12TXHQASINEU AR12TXHQASIXEU	AR18TXHQASINEU AR18TXHQASIXEU	AR24TXHQASINEU AR24TXHQASIXEU	AR09TXHQBWKNEU AR09TXHQBWIXEU	AR12TXHQBWKNEU AR12TXHQBWIXEU
Functions							
Airflow	Air Direction Control (Up/Down)	Auto	Auto	Auto	Auto	Auto	Auto
	Air Direction Control (Left/Right)	Manual	Manual	Manual	Manual	Manual	Manual
	Airflow Control Step (Cool/Fan)	3/3	3/3	3/3	3/3	3/3	3/3
	Auto Fan Speed	•	•	•	•	•	•
Air Purification	Hi-Care Filter	•	•	•	•	•	•
	HD Filter	•	•	•	•	•	•
	Auto Clean (Self-Cleaning)	•	•	•	•	•	•
Operating Mode	2-Step Cooling	•	•	•	•	•	•
	Fast Cooling	•	•	•	•	•	•
	Comfort	•	•	•	•	•	•
	Drift Cool	•	•	•	•	•	•
	Good Sleep	•	•	•	•	•	•
	Dehumidification	•	•	•	•	•	•
	Auto	•	•	•	•	•	•
	Fan	•	•	•	•	•	•
	Quiet	•	•	•	•	•	•
Other Functions	Wi-Fi Control	•	•	•	•	•	•
	24-Hour Timer/Real Timer	•	•	•	•	•	•
	Indoor Temperature Display	•	•	•	•	•	•
	Display On/Off	88 Display	•	•	•	•	•
	Sleep On/Off	•	•	•	•	•	•
	Auto Changeover	•	•	•	•	•	•
	Auto Restart	•	•	•	•	•	•

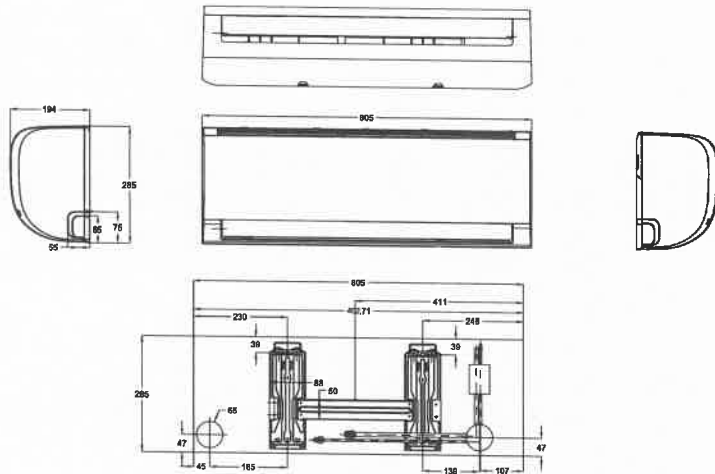


¹Energy labels as shown are according to EU No 626/2011 (L0110) label classification 2010, on a scale from D to A+++.

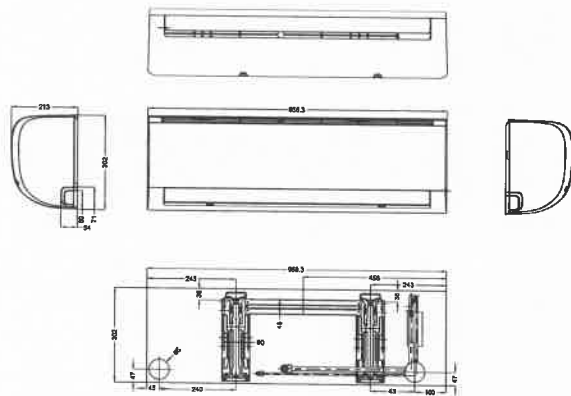
Dimensional drawings

AR35 and AR30

AR35/AR30 (AR35)



AR35/AR30 (AR30)



AR35 and AR30

AR35/AR30 (AR35)

