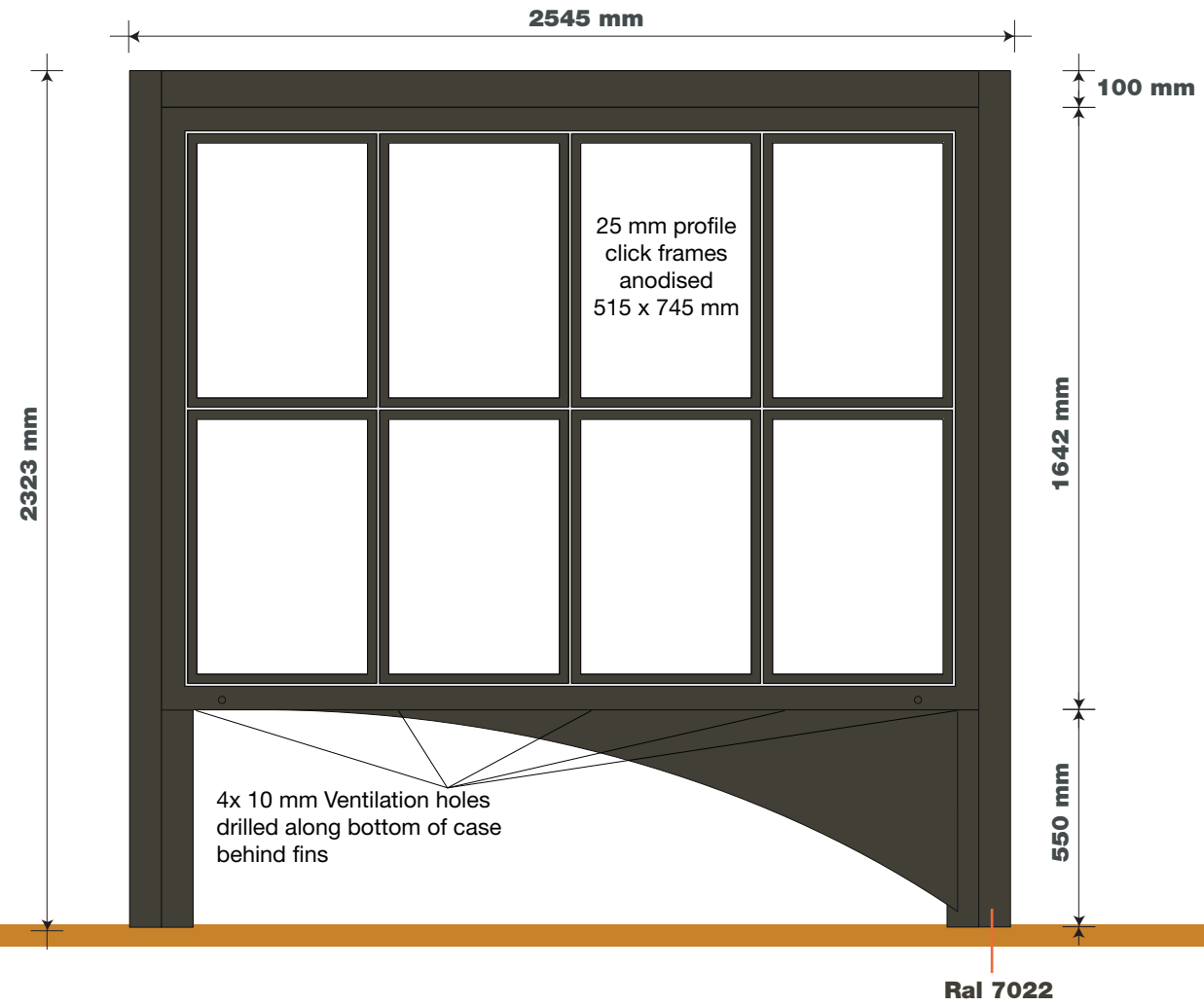


**KFC - Ext 16**



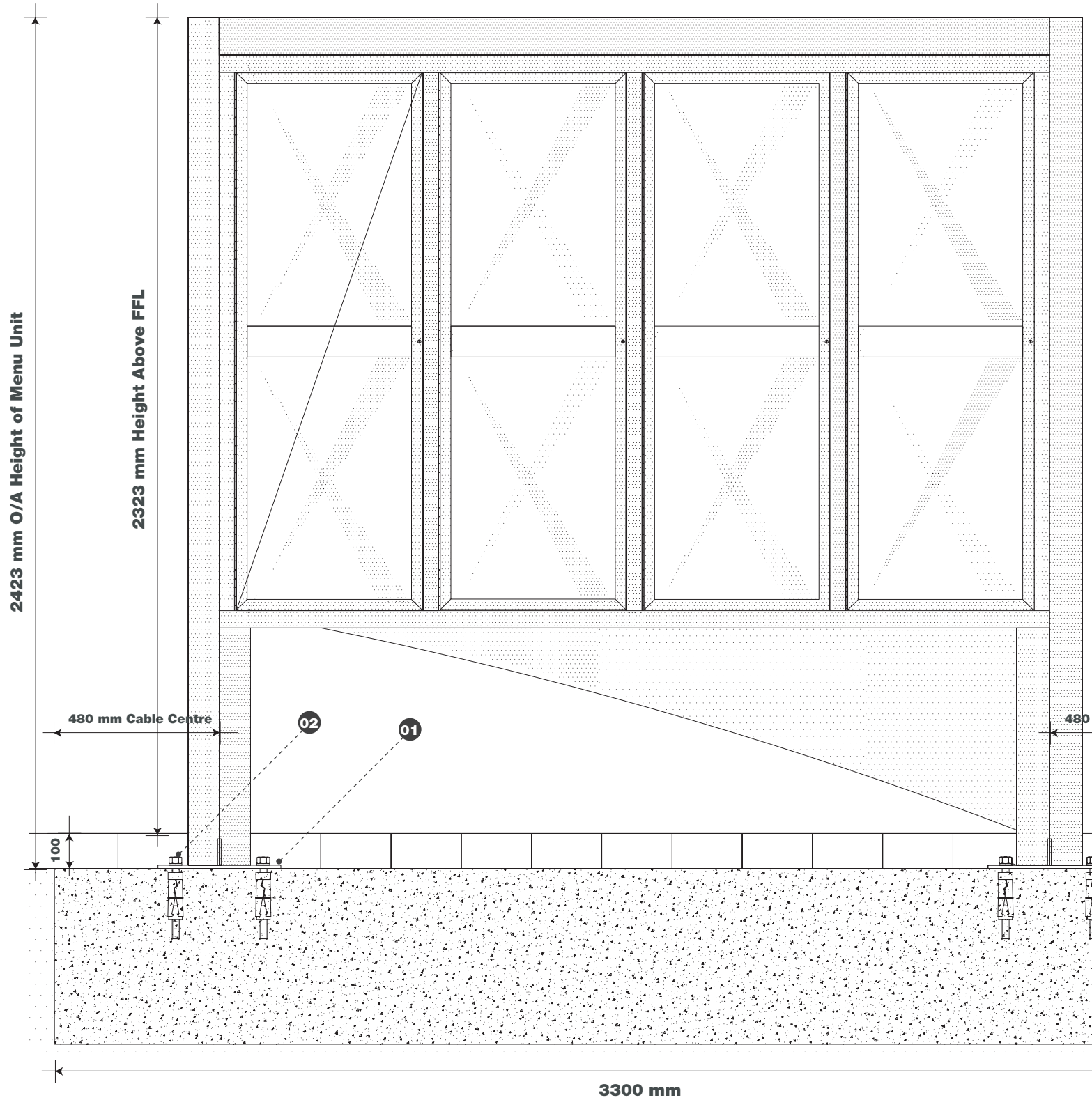
Scale 1:20



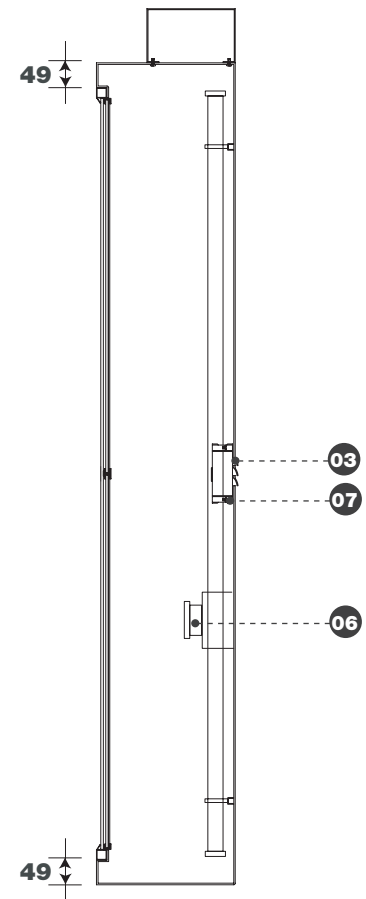
Front Elevation Scale 1:15

KFC - Ext 17

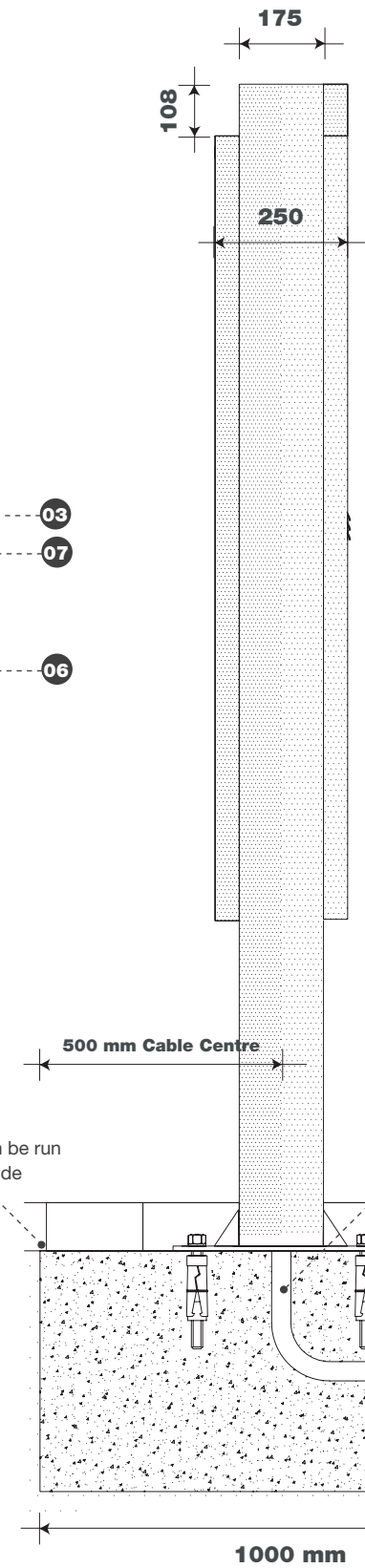
2545 mm



Section Through B-B Scale 1:15



End Elevation Scale 1:15



**Specification**

- 01 Base plates manufactured from 10mm thick aluminium welded to suport posts.
- 02 Unit fixed to ground via rawlbolts/chemical fixings dependent on site conditions.
- 03 Punched ventilation grills to rear of signcase.
- 04 6mm steel piano hinges.
- 05 Fixed within door frames are barrel locks with key access.
- 06 Electrical isolator switch
- 07 Dehumidifier fan and switch to prevent condensation build up.
- 08 C35 cast concrete base
- 09 Power cable.

Base Plate Scale 1:10

