

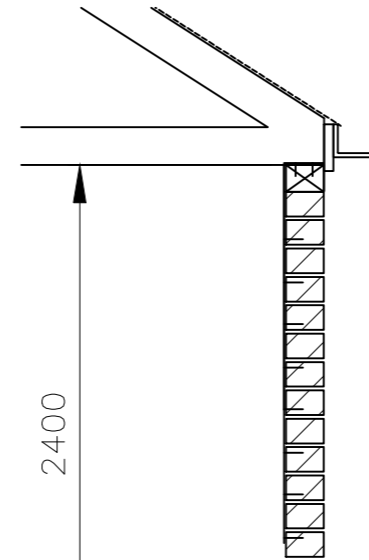
Drawing No.	Rev No.
MKS001 -006	

SCALE BARS

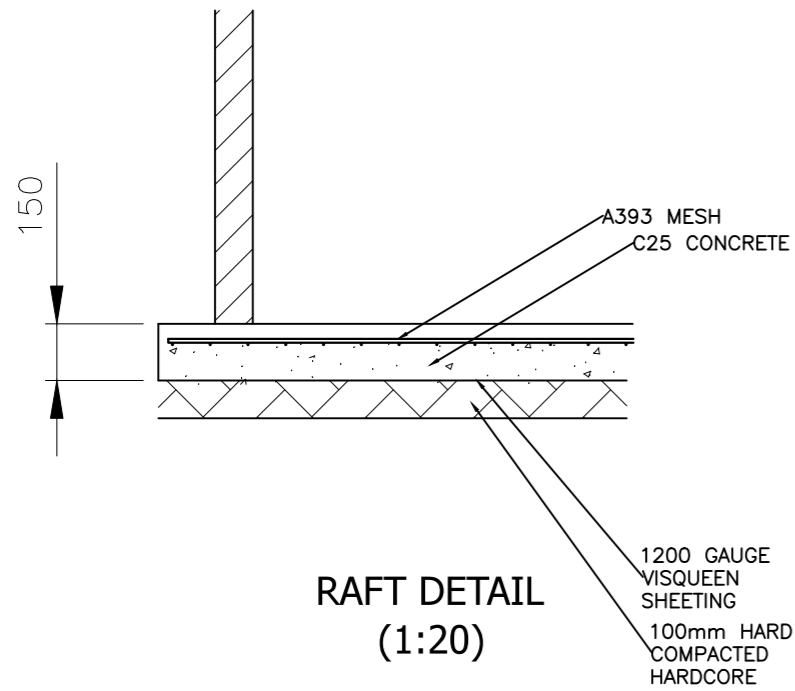
1:100	1	2	3	4	5
1:200	2	4	6	8	10
1:500	5	10	15	20	25
1:1250	25	50			

DO NOT SCALE: Contractor to check all dimensions and report any omissions or errors

NOTES



EAVES DETAIL
(1:20)



RAFT DETAIL
(1:20)

Rev	Description	By	Chk	App	Date
-----	-------------	----	-----	-----	------

JRB DESIGNS Ltd
1 Saville Road
Cudworth
Barnsley
S72 8LT
Tel: 01226 383542
Fax: 01226 380078
Mob: 07970 541192
Email: john@jrbdesigns.co.uk

This drawing is copyright. © jrbdesigns Ltd.

Client

MR. K SINCLAIR

Drawing Title

DETAILS

Address

35 ALMOND CROFT
WOMBWELL
BARNSELY
S73 0NL

Project Title:

PROPOSED DETACHED
GARAGE

Purpose of Issue:

CONSTRUCTION

Drawing Status

FIRST ISSUE

Scale at A3

AS SHOWN

Drawn By

JRB

Date

07/08/2024

Checked By

Date

07/08/2024

Approved By

Date

07/08/2024

Project No.

MKS001

Drawing No.

006

Revision

-

APPROVAL INFORMATION TENDER CONTRACT CONSTRUCTION