

DATED 25TH MARCH 2015

BARNSELY METROPOLITAN BOROUGH COUNCIL

and

TAYLOR WIMPEY UK LIMITED

and

NATIONAL HOUSE BUILDING COUNCIL

AGREEMENT

under Sections 72 and 278 of the Highways Act 1980 and Section 111 of the Local Government Act 1972 relating to highway improvements at Kingstone Grange, Broadway, Barnsley, South Yorkshire

A.C. Frosdick, LL.B., DipLG,  
Director of Legal and  
Governance  
Town Hall  
Barnsley  
S70 2TA

**THIS AGREEMENT** is made the 25th day of March  
Two thousand and fifteen

**BETWEEN**

1. **BARNESLEY METROPOLITAN BOROUGH COUNCIL** of the Town Hall  
Barnsley South Yorkshire S70 2TA ("**the Council**")
2. **TAYLOR WIMPEY UK LIMITED** (Company Registration Number 1392762)  
whose registered office is situate at Gate House Turnpike Road High  
Wycombe Buckinghamshire HP12 3NR ("**the Company**") and
3. **NATIONAL HOUSE BUILDING COUNCIL** (Company number <sup>320784</sup>~~230784~~) of  
<sup>NHBC</sup> Buildmark House Davy Avenue Milton Keynes Bucks <sup>MKS 8FP</sup>~~HP6 5AP~~ ("**the**  
**Surety**")

**INTERPRETATION**

In this Agreement:-

"**the Act**" means the Highways Act 1980 as amended by the New Roads and  
Street Works Act 1991

"**the Blue Land**" means Wimpey's Blue Land and the Council's Blue Land  
(hereinafter defined) all of which is shown edged in blue on Drawing number  
HD/A6133.278/Land/1 attached at Schedule 1 hereto and which is intended to  
become highway maintainable at public expense as provided for herein

"**Certificate of Completion**" means the certificate to be issued by the  
Highways Officer upon the satisfactory completion of the Works

"**Commuted Sum**" means the sum of £38,568.25 which is required to be paid to  
the Council by the Company as a contribution towards the costs of the future  
maintenance by the Council of the traffic signals and associated apparatus being  
provided as part of the Works

"**the Company**" includes the successors in title of the Company

"**the Company's Engineer**" means the person appointed by the Company as its  
point of contact for the council's Highways Officer for the purposes of this

Agreement

**“the Development”** means the residential development at the site for which planning permission has been granted under reference 2014/0429

**“Drawings”** means the drawings listed and attached at Schedule 1 hereto

**“the Estimated Cost”** means the sum of £618,000.00 (six hundred and eighteen thousand pounds) which is an estimate of the costs of the carrying out and completion of the Works and all matters associated therewith as provided herein the various elements of which are listed in outline in Schedule 3 hereof

**“ Final Account”** means an account to be prepared by the Highways Officer setting out the actual costs fees and charges incurred by the Council in the carrying out and completion the Works and all matters associated therewith as provided for herein

**“ Final Certificate”** means the certificate to be issued by the Highways Officer once the provisions of clause 4.3 hereof have been complied with to the satisfaction of the Highways Officer

**“the Highway”** means the highway called Broadway, Barnsley

**“the Highways Officer”** means the Head of Highways Engineering and Transportation for the time being of the Council and includes any professional officer appointed by him for the purpose of the supervision or inspection of the Works

**“Legal Costs”** means the sum of £1,000.00 being the costs of the Council in the preparation and completion of this Agreement

**“the Maintenance Period”** means a period of twelve calendar months from the date of the issue of the Certificate of Completion

**“the Provisional Sum”** means any sum or sums that may have already been paid to the Council by the Company as at the date of this Agreement in the preparation of the detailed design and any other matter associated herewith such sum being a contribution to the Estimated Cost

**“Safety Audit”** means a specified stage or stages of independent road safety audit procured pursuant to the Design Manual for Roads and Bridges

**“Safety Audit Works”** means any amended or additional works or any other measures necessary in order to comply with the recommendations of a Safety Audit

**“Section 115 Agreement”** means an agreement entered into between the Council and a relevant sewerage undertaker pursuant to section 115 of the Water Industry Act 1991 to allow connections of highway drainage to the public sewerage system made pursuant or ancillary to the Works

**“the Site”** means the site of the former Kingstone School off Broadway, Barnsley

**“the Specification”** means the Specification for Highway Works published by HMSO with all amendments up to the date hereof

**“Statutory Undertakers Works”** means any works required to be carried out to the equipment or apparatus of any statutory undertaker or other service provider which is affected by the Works

**“Supervision Fee”** means the fees of the Council in the carrying out of the detailed design of the Works including any relevant investigations the carrying out of inspections of the Works and the administration of this Agreement

**“Traffic Regulation Order Costs”** means the sum of £4,000.00 (four thousand pounds) which is an estimate of the costs that will be incurred by the Council in the preparation publication and implementation of a Traffic Regulation Order pursuant to the Road Traffic Regulation Act 1984 (as amended) to give effect to the traffic restrictions required as a consequence of the Works

**“the Works”** means the works shown on the Drawings and described in Schedule 2 hereto and includes any amended or additional works as provided for herein

Clause headings are for ease of reference only and shall not form part of this Agreement for the purposes of its construction or interpretation

## **WHEREAS**

- (1) The Council is the Highway Authority for the purposes of the Act
- (2) The Company has been granted planning permission for the Development at the Site subject to conditions relating (inter alia) to works to the Highway
- (3) The Company and the Council have agreed that the Works will be designed carried out and supervised by the Council in the manner hereinafter specified at the entire expense of the Company on the terms and conditions hereinafter provided
- (4) The Council is authorised to carry out the Works pursuant to section 24 and Parts V and VI of the Act
- (5) The Council is satisfied for the purposes of Section 278 of the Act that the Works will be of benefit to the public and are required to improve access to the Site to a standard required for traffic safety and will be of benefit to the Development
- (6) The Company is the registered proprietor with an absolute freehold title at HM Land Registry of the Site which includes (inter alia) part or parts of the Blue Land ("Wimpey's Blue Land") and the Company warrants that at the date hereof Wimpey's Blue Land is free from any restrictions or incumbrances that might affect its dedication as highway maintainable at public expense and enters into this agreement with the intention that it shall be adopted by the Council as part of the public highway as provided for herein
- (7) The Council is the freehold owner of the other part or parts of the Blue Land ("the Council's Blue Land") and acknowledges that once the Works have been carried out and maintained as provided for herein and upon the issue of the Final Certificate the Council's Blue Land shall thereafter be maintained by the Council as part of the public highway
- (8) This Agreement is made pursuant to Sections 72 and 278 of the Act and Section 111 of the Local Government Act 1972 and the Council is satisfied that it will be of benefit to the public

(9) Nothing herein contained shall operate to restrict or prejudice the powers duties and rights of the Council under the Highways Act 1980 and the New Roads and Street Works Act 1991

**NOW IT IS HEREBY AGREED** by and between the parties as follows:-

**1. THE WORKS**

**1.1** The Council has provided the Company with:

- (a) detailed drawings plans and specifications of the Works;
- (b) a programme and timetable for the carrying out of the Works (“the Approved Programme”)
- (c) details of the Safety Audits to be carried out
- (d) details of the statutory undertakers’ apparatus and telecommunications apparatus in the Highway and the Statutory Undertakers Works required to be completed in respect thereof;
- (e) the traffic regulation orders required in connection with the Works;
- (f) a certificate of the Estimated Cost

All of which have been approved and agreed by the Company

**1.2** Subject to the provisions of Clause 2 hereof the Council shall carry out and complete the Works in accordance with the Approved Programme

**1.3** The Council shall notify the Company in writing of the date on which the Works have commenced.

**1.4** If any event arises which might cause the Council to be unable to adhere to the Approved Programme the Highways Officer shall forthwith notify the Company of the reasons therefor and provide the Company with a revised programme

**1.5** The Highways Officer reserves the right to issue such variation orders that shall in his opinion be necessary for the satisfactory completion and

functioning of the Works including compliance with any recommendations arising from a Safety Audit Report any accommodation works and any other works that might arise as a consequence of the foregoing that may be necessary to statutory undertakers' apparatus and telecommunications operators' apparatus and all other equipment under in on or over the highway

- 1.6 If any of the aforementioned variations entails the use of further land which land would not be required if the unvaried works were completed then such variation shall not be made without the Company's written consent (not to be unreasonably withheld or delayed)

**2. PAYMENTS TO THE COUNCIL**

- 2.1 The Company has at the date hereof already paid a Provisional sum or sums to the Council amounting to £62,838.51 (sixty two thousand eight hundred and thirty eight pounds and fifty one pence) by way of a contribution to the Estimated Cost
- 2.2 Upon completion of this Agreement the Company shall pay a further Provisional Sum of £155,161.49 (one hundred and fifty five thousand one hundred and sixty one pounds and forty nine pence) by way of a further contribution to the Estimated Cost
- 2.3 The remaining balance of the Estimated Cost shall be paid in four equal sums each of which is to be paid to the Council on the first day of each of four consecutive months the first of which shall be the first day of the month immediately following the date on which the Works are commenced by the Council ("the Monthly Payments")
- 2.4 For the avoidance of doubt the Council shall be under no obligation to either commence or carry out or continue any of the Works until the Company has made payment of the sums due as provided herein

- 2.5 Within 28 days of the issue of the Final Certificate the Highways Officer shall provide the Company with the Final Account and the balance due to the Council or the sum of refund due to the Company
2. The Company shall also pay any value added tax payable by the Council in respect of and in addition to the sums payable by the Company under this Agreement
- 2.7 The Company shall pay all monies due under this Agreement within 7 days of the date on which it is due or if not paid within that period shall bear interest at a rate of 3% above the base rate of Barclays Bank Plc for the time being such interest being payable from the due date to the actual date of payment
- 2.8 Any refund due to the Company from the Council shall be paid within 28 days of the issue of the Final Certificate

3. **CONSENT TO ACCESS THE SITE**

- 3.1 The Company hereby grants to the Council its servants and agents the right to enter upon so much of the Site as is necessary for the purpose of the Council meeting its obligations hereunder

4. **DEDICATION AND ADOPTION OF THE BLUE LAND**

- 4.1 Upon the satisfactory completion of the Works the Highways Officer shall issue a Certificate of Completion and from that date:
- (i) the Company shall be deemed to have dedicated Wimpey's Blue Land and any other land as a consequence of clause 1.5 above as a highway for use by the public and the Company shall not grant any wayleave licence easement or right in respect of any part of the dedicated land without the written consent of the Council and

(ii) the Council shall be deemed to have dedicated the Council's Blue Land as a highway for use by the public

4.2 The Council shall thereafter procure the maintenance of the Works and the all of the land which is dedicated as highway under this agreement for the duration of the Maintenance Period

4.3 Upon the satisfactory expiry of the Maintenance Period and provided that all monies due to be paid to the Council by the Company hereunder have been received the Highways Officer shall issue the Final Certificate and the land dedicated as highway pursuant to the above clause 4.1 shall become highway maintainable at the public expense

4.4 For the avoidance of doubt the covenants on the part of the Company contained in clause 6 of this Agreement shall not be affected by the issue of the Final Certificate

## 5. ASSIGNMENT

5.1 The Company shall not assign its rights and obligations arising under this Agreement without the prior written consent of the Council

## 6. COMPENSATION AND INDEMNITY

6.1 The Company shall indemnify the Council in respect of any valid and proper claims made to it pursuant to the Noise Insulation Regulations 1975 or Part I of the Land Compensation Act 1973 arising from the use of the Highway as altered by the Works together with the reasonable legal costs and surveyor's fees incurred either by the Council or any third party whose costs the Council is legally obliged to pay in connection with the processing and settlement of any such claims

6.2 The Company will indemnify and keep indemnified the Council against all costs actions proceedings claims demands damages and losses of whatever nature arising out of the non-observance non-performance or other breach of the Company's obligations under this Agreement and all claims demands damages and losses of whatever nature which may be

suffered by the Council due to any reason connected with the carrying out of the Works

6.3 In the event of any costs claims demands damages or losses (“**Claim**”) arising pursuant to clauses 6.1 and 6.2 above arising the Council shall notify the Company in writing forthwith upon the receipt of any Claim and the Council shall not accept any Claim without first having given the Company an opportunity to make representations to the Council as to the validity and quantum of the Claim (such representations not to be unreasonably withheld or delayed) which the Council shall have due regard to and the Council shall notify the Company in writing of the quantum of any Claim which is accepted by the Council and the Company shall pay the sum of the Claim as specified to the Council within 28 days of receipt of the said notification.

6.4 The Company shall be responsible for :-

(a) any costs that the Council may incur in entering into a Section 115 Agreement including any costs the sewerage undertaker may charge the Council under the Section 115 Agreement for technical administrative supervisory or legal costs from time to time

(b) the costs of carrying out any maintenance or remedial works required by the sewerage undertaker pursuant to the Section 115 Agreement

(c) indemnifying the Council against all losses liabilities claims costs damages and expenses arising from any claim by a sewerage undertaker any person or competent authority arising from or ancillary to the connection of the highway drains to the public sewers

## **7. DETERMINATION BY THE COUNCIL**

7.1 In the event the Company fails to perform or observe any of the covenants or obligations herein contained or if a receiving order in bankruptcy is made against the Company or if the Company is wound up or enters into a composition or arrangement (otherwise than for the purpose of

amalgamation or reconstruction) the Council may without prejudice to any of its rights claims or remedies against the Company for such non-performance or non-observance determine this Agreement by notice in writing to the Company

7.2 The Council's powers under the foregoing clause 7.1 are in addition and without prejudice to its statutory powers under Section 278(5) and (6) of the 1980 Act

**8. SURETY'S OBLIGATIONS**

8.1 The Surety hereby covenants with the Council that if at any time the Company fails to observe or perform any of the covenants contained herein or if circumstances shall arise which would entitle the Council to terminate this Agreement then without prejudice to any other rights and remedies of the Council against the Company under this Agreement or under statutory powers the Surety shall pay to the Council such sum or sums which become due under this Agreement and which the Company would have been liable to pay to the Council under the terms hereof PROVIDED the total liability of the Surety under this clause shall not exceed the sum of £400,000.00 (four hundred thousand pounds)

8.2 Upon receipt by the Council of each of the Monthly Payments required to be paid by the Company pursuant to clause 2.3 above the Council shall notify the Surety in writing of the sum by which its liability has been reduced

8.3 The Surety shall pay any sum due to the Council within <sup>28</sup>~~14~~ days of receipt of a written request therefor

8.4 A written demand to the Surety pursuant to clause 8.1 above shall be signed on behalf of the Council and shall be conclusive as to the Surety's obligations under this Agreement

8.5 The Surety shall not be discharged or released from its liability under this Agreement by any arrangement made between the Company and the Council or by any alteration in the Company's obligations or by any

DJ  
DA

forbearance whether as to payment performance or otherwise made with or without the assent of the Surety

8.6 The Surety shall only be released from its liability hereunder once the final Monthly Payment has been paid to the Council

9. **COVENANTS BY THE COMPANY AND THE COUNCIL**

9.1 If at any time prior to the commencement of the Works the Company wishes to terminate this Agreement it may do so by giving notice to the Council and the Council shall give the Company an account of all abortive costs reasonably and properly incurred by the Council in respect of this Agreement Within 28 days from the date of that account if that account shows that the payments made by the Company under the foregoing provisions of this Agreement have exceeded those costs the Council shall refund that excess and if that account shows that those costs exceed the payment made by the Company under the foregoing provisions of this Agreement the Company shall pay to the Council a sum equal to that excess

10. **NOTICES**

10.1 Any notice or demand required by this Agreement to be given or made shall be in writing and sent to the addresses stated in this Agreement

11. **BENEFITS**

11.1 The land which is to be benefited by the Works is the land to which the planning application hereinbefore referred to relates

11.2 This Agreement will be of benefit to the public

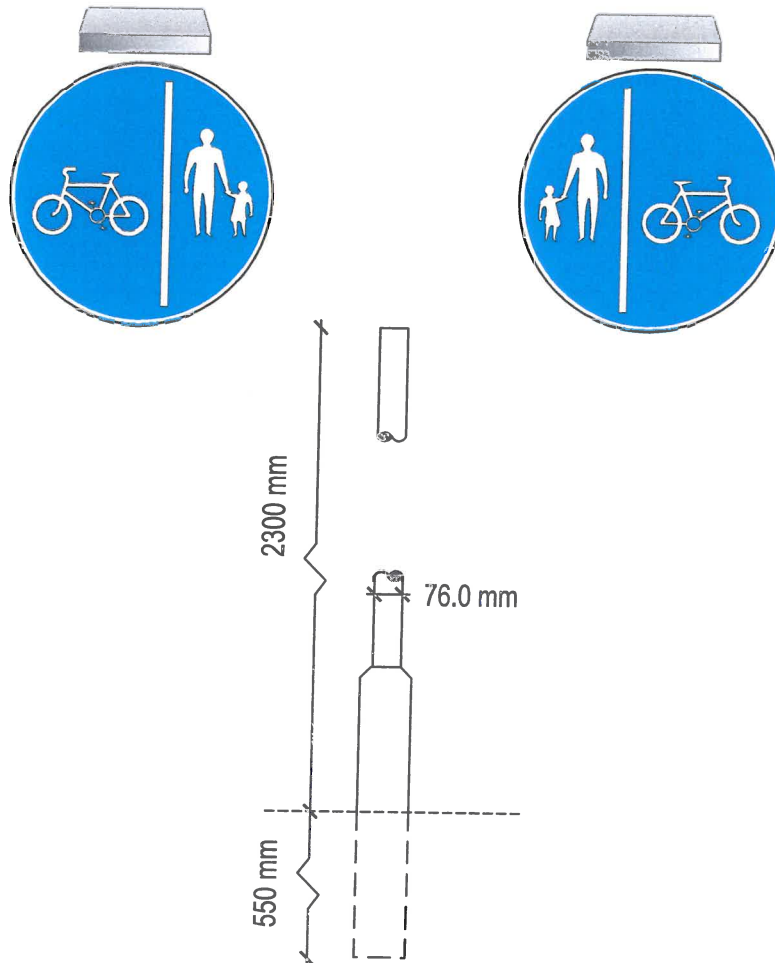
12. **ARBITRATION**

12.1 The Company hereby further agrees with the Council in the event of any dispute or difference between the parties hereto arising as to the construction of this Agreement or any of the provisions hereof such dispute or difference shall be referred to the President for the time being of the Institution of Civil Engineers whose decision shall be final and binding on

the parties hereto Provided that nothing in this clause shall authorise the reference to arbitration of any question as to whether the whole or any part of the Works has been carried out and completed to the satisfaction of the Highways Officer

**Note**

1) All signing to be in accordance with the Traffic Signs Regulations and General Directions 2002 and its amendments. If any more details required, working drawings may also be of use. Copies are available from the Department for Transport website or contact the scheme Engineer.



**2no. signs to same detail to be mounted back to back**

SIGN PLATE DETAILS		
Scheme Ref.:	Broadway, Barnsley	
Sign Ref.:	Diag. No. 957	x-height: N/A
Letter/Symbol:	White	SIGN PLATE SIZE
Background:	Blue	Width: 450 mm
Border:	White	Height: 450 mm
Material:	DG3 + 1160 POF	Area: 0.2 sq.m

POST(S) & FOUNDATION DETAILS		
Mounting Height:	2300 mm	Bases: Individual
Number:	1	Base Width: 700mm
Size:	76.0 mm	Base Length: 700mm
Length:	3375mm	Base Depth: 400mm
Centres:	N/A	Base Vol.: 0.2m3
Illumination:	Yes	Earth Cover: 150 mm

H:\Traffic\Daniel E\Schemes 14-15\Broadway Signing-Lining Scheme (3700)\ACAD Drawings\TR-3700-03 (Signing - Design).dwg



**BARNLSLEY**  
Metropolitan Borough Council

Scale

N.T.S

Drawn  
D. Ellis

Date  
Oct. 2014

Checked

File  
TR/3700

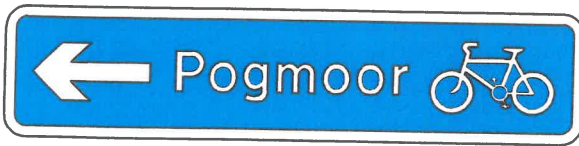
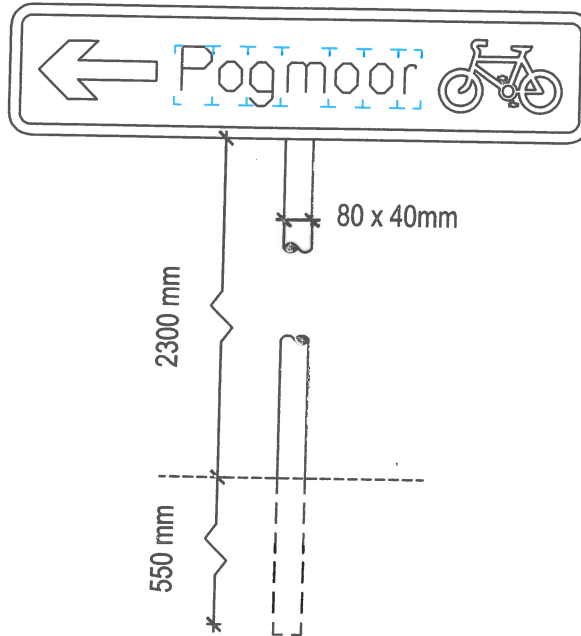
Dave Pownall B.Eng, C.Eng, M.I.C.E, F.C.I.H.T  
Head of Highways, Engineering and Transportation  
Highways & Engineering  
PO Box 601, Barnsley, S70 9FA  
Tel. (01226) 773555 Fax. (01226) 772110

Drawing  
Broadway, Barnsley  
Sign Design

Drawing No.  
TR/3700/03 (1RS)

Note

1) All signing to be in accordance with the Traffic Signs Regulations and General Directions 2002 and its amendments. If any more details required, working drawings may also be of use. Copies are available from the Department for Transport website or contact the scheme Engineer.



SIGN PLATE DETAILS		
Scheme Ref.:	Broadway, Barnsley	
Sign Ref.:	Diag. No. 2602.1A	x-height: 30mm
Letter/Symbol:	White	SIGN PLATE SIZE
Background:	Blue	Width: 600mm
Border:	White	Height: 135mm
Material:	Non-reflective + 1160 POF	Area: 0.08sq.m

POST(S) & FOUNDATION DETAILS			
Mounting Height:	2300mm	Bases:	Individual
Number:	1	Base Width:	500mm
Size:	80 x 40mm RHS	Base Length:	500mm
Length:	2985mm	Base Depth:	400mm
Centres:	N/A	Base Vol.:	0.1m3
Illumination:	No	Earth Cover:	150 mm

H:\Traffic\Daniel E\Schemes 14-15\Broadway Signing-Lining Scheme (3700)\ACAD Drawings\TR-3700-03 (Signing - Design).dwg



**BARNLSLEY**  
Metropolitan Borough Council

Drawing Broadway, Barnsley  
Sign Design

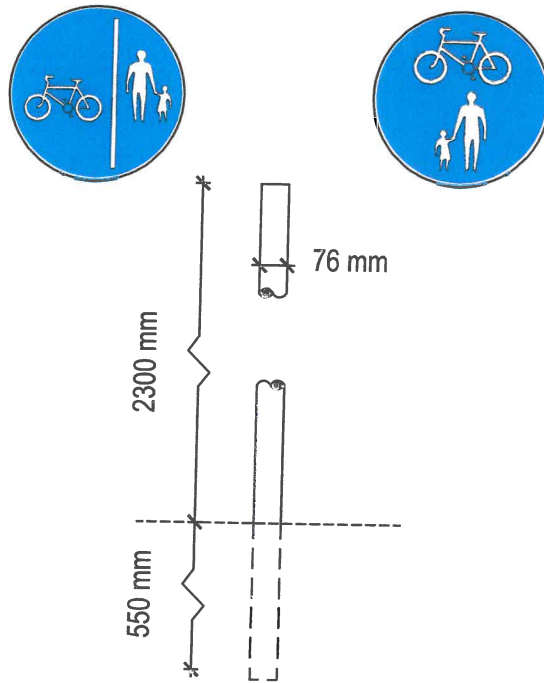
Scale		N.T.S	
Drawn	D. Ellis	Date	Oct. 2014
Checked		File	TR/3700

Dave Pownall B.Eng, C.Eng, M.I.C.E, F.C.I.H.T  
Head of Highways, Engineering and Transportation  
Highways & Engineering  
PO Box 601, Barnsley, S70 9FA  
Tel. (01226) 773555 Fax. (01226) 772110

Drawing No. TR/3700/03 (2RS)

**Note**

1) All signing to be in accordance with the Traffic Signs Regulations and General Directions 2002 and its amendments. If any more details required, working drawings may also be of use. Copies are available from the Department for Transport website or contact the scheme Engineer.



SIGN PLATE DETAILS		
Scheme Ref.:	Broadway, Barnsley	
Sign Ref.:	Diag. No. 957	x-height: N/A
Letter/Symbol:	White	SIGN PLATE SIZE
Background:	Blue	Width: 300 mm
Border:	White	Height: 300 mm
Material:	Non-reflective + 1160 POF	Area: 0.1 sq.m

SIGN PLATE DETAILS		
Scheme Ref.:	Broadway, Barnsley	
Sign Ref.:	Diag. No. 956	x-height: N/A
Letter/Symbol:	White	SIGN PLATE SIZE
Background:	Blue	Width: 300 mm
Border:	White	Height: 300 mm
Material:	Non-reflective + 1160 POF	Area: 0.16 sq.m

**2no. signs to be mounted  
back to back**

POST(S) & FOUNDATION DETAILS			
Mounting Height:	2300mm	Bases:	Individual
Number:	1	Base Width:	600mm
Size:	76.0 mm	Base Length:	600mm
Length:	3150mm	Base Depth:	400mm
Centres:	N/A	Base Vol.:	0.1m <sup>3</sup>
Illumination:	No	Earth Cover:	150 mm

H:\Traffic\Daniel E\Schemes 14-15\Broadway Signing-Lining Scheme (3700)\ACAD Drawings\TR-3700-03 (Signing - Design).dwg



**BARNSELEY**  
Metropolitan Borough Council

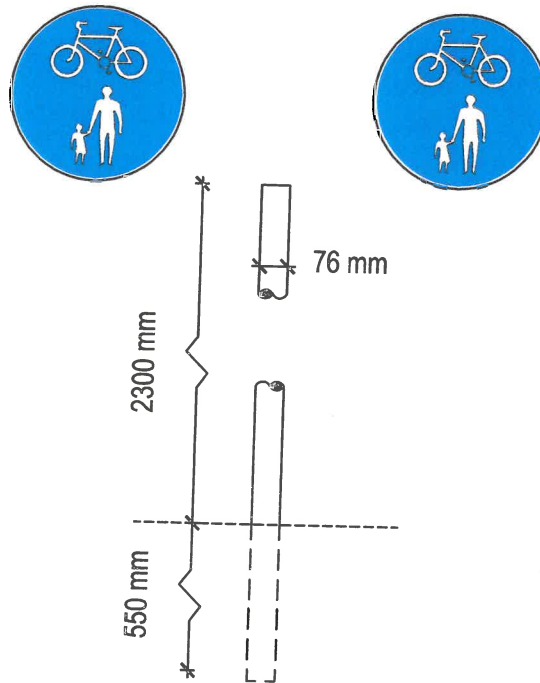
Drawing Broadway, Barnsley  
Sign Design

Scale		N.T.S
Drawn	Date	
D. Ellis	Oct. 2014	
Checked	File	
	TR/3700	

Dave Pownall B.Eng, C.Eng, M.I.C.E, F.C.I.H.T  
Head of Highways, Engineering and Transportation  
Highways & Engineering  
PO Box 601, Barnsley, S70 9FA  
Tel. (01226) 773555 Fax. (01226) 772110  
Drawing No. TR/3700/03 (3RS)

Note

1) All signing to be in accordance with the Traffic Signs Regulations and General Directions 2002 and its amendments. If any more details required, working drawings may also be of use. Copies are available from the Department for Transport website or contact the scheme Engineer.



**2no. signs to same detail to be mounted back to back**

SIGN PLATE DETAILS		
Scheme Ref.:	Broadway, Barnsley	
Sign Ref.:	Diag. No. 956	x-height: N/A
Letter/Symbol:	White	SIGN PLATE SIZE
Background:	Blue	Width: 300 mm
Border:	White	Height: 300 mm
Material:	Non-reflective + 1160 POF	Area: 0.1 sq.m

POST(S) & FOUNDATION DETAILS		
Mounting Height:	2300mm	Bases: Individual
Number:	1	Base Width: 600mm
Size:	76.0 mm	Base Length: 600mm
Length:	3150mm	Base Depth: 400mm
Centres:	N/A	Base Vol.: 0.1m <sup>3</sup>
Illumination:	No	Earth Cover: 150 mm

H:\Traffic\Daniel E\Schemes 14-15\Broadway Signing-Lining Scheme (3700)\ACAD Drawings\TR-3700-03 (Signing - Design).dwg



**BARNSELEY**  
Metropolitan Borough Council

Scale  
N.T.S

Drawn  
D. Ellis

Date  
Oct. 2014

Checked

File  
TR/3700

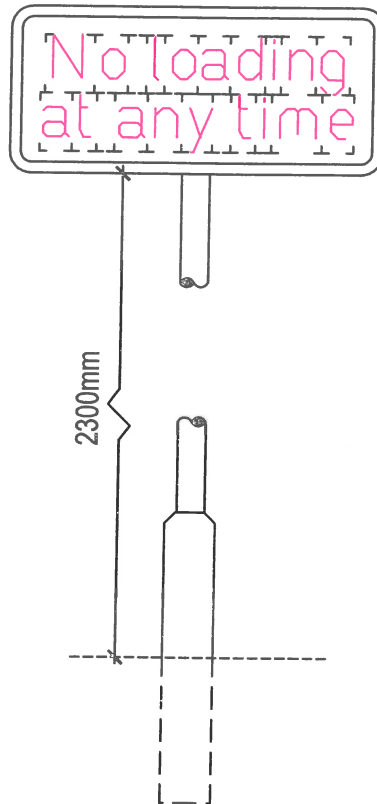
Dave Pownall B.Eng, C.Eng, M.I.C.E, F.C.I.H.T  
Head of Highways, Engineering and Transportation  
Highways & Engineering  
PO Box 601, Barnsley, S70 9FA  
Tel. (01226) 773555 Fax. (01226) 772110

Drawing No.  
TR/3700/03 (4RS)

Drawing  
Broadway, Barnsley  
Sign Design

Note

1) All signing to be in accordance with the Traffic Signs Regulations and General Directions 2002 and its amendments. If any more details required, working drawings may also be of use. Copies are available from the Department for Transport website or contact the scheme Engineer.



Sign to be mounted on LC24

SIGN PLATE DETAILS		
Scheme Ref.:	Broadway, Barnsley	
Sign Ref.:	Diag. No. 638	x-height: 20mm
Letter/Symbol:	Black	SIGN PLATE SIZE
Background:	White	Width: 255 mm
Border:	Black	Height: 115 mm
Material:	Non-reflective + 1160 POF	Area: 0.03 sq.m

H:\Traffic\Daniel E\Schemes 14-15\Broadway Signing-Lining Scheme (3700)\ACAD Drawings\TR-3700-03 (Signing - Design).dwg



**BARNSLEY**  
Metropolitan Borough Council

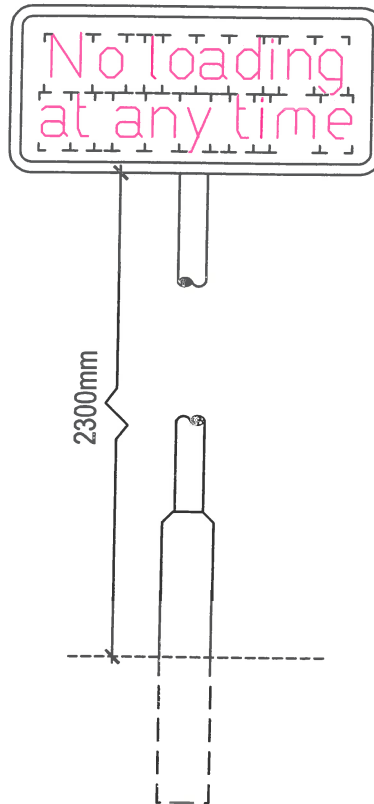
Scale		N.T.S
Drawn	D. Ellis	Date Oct. 2014
Checked		File TR/3700

Dave Pownall B.Eng, C.Eng, M.I.C.E, F.C.I.H.T Head of Highways, Engineering and Transportation Highways & Engineering PO Box 601, Barnsley, S70 9FA Tel. (01226) 773555 Fax. (01226) 772110	
Drawing No.	TR/3700/03 (5RS)

Drawing Broadway, Barnsley  
Sign Design

Note

1) All signing to be in accordance with the Traffic Signs Regulations and General Directions 2002 and its amendments. If any more details required, working drawings may also be of use. Copies are available from the Department for Transport website or contact the scheme Engineer.



Sign to be mounted on LC25

SIGN PLATE DETAILS		
Scheme Ref.:	Broadway, Barnsley	
Sign Ref.:	Diag. No. 638	x-height: 20mm
Letter/Symbol:	Black	SIGN PLATE SIZE
Background:	White	Width: 255 mm
Border:	Black	Height: 115 mm
Material:	Non-reflective + 1160 POF	Area: 0.03 sq.m

H:\Traffic\Daniel E\Schemes 14-15\Broadway Signing-Lining Scheme (3700)\ACAD Drawings\TR-3700-03 (Signing - Design).dwg



**BARNLSLEY**  
Metropolitan Borough Council

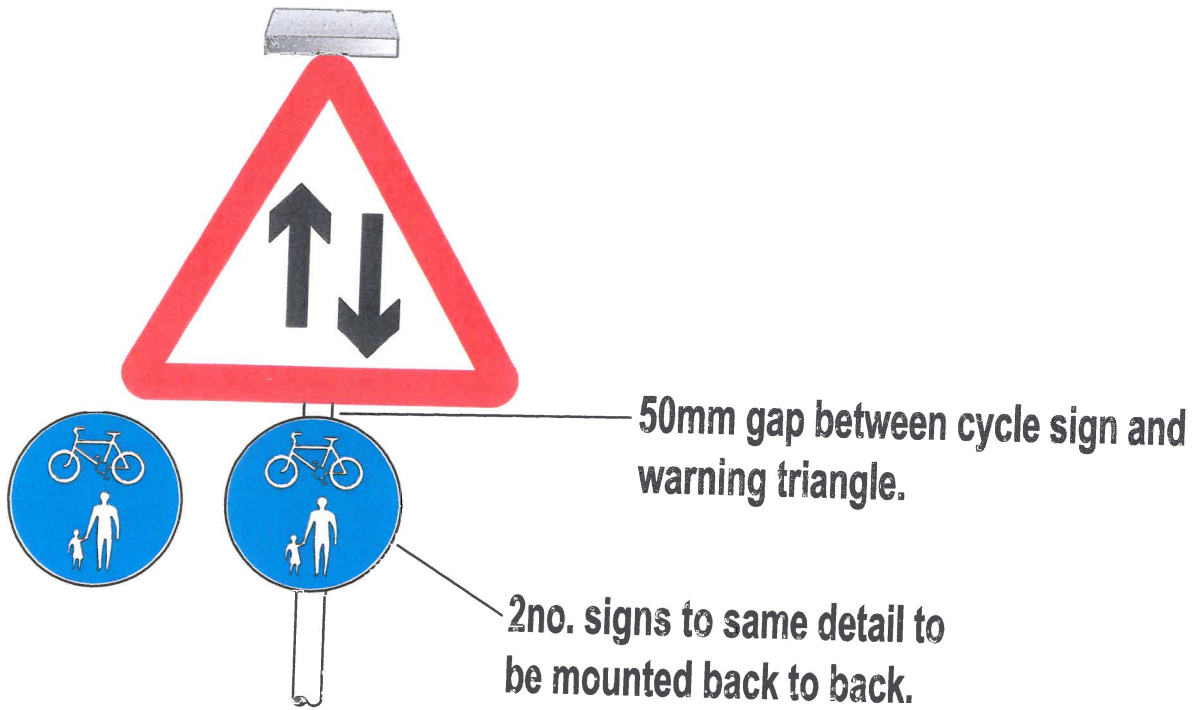
Drawing Broadway, Barnsley  
Sign Design

Scale N.T.S	
Drawn D. Ellis	Date Oct. 2014
Checked	File TR/3700

Dave Pownall B.Eng, C.Eng, M.I.C.E, F.C.I.H.T Head of Highways, Engineering and Transportation Highways & Engineering PO Box 601, Barnsley, S70 9FA Tel. (01226) 773555 Fax. (01226) 772110
Drawing No. TR/3700/03 (6RS)

**Note**

1) All signing to be in accordance with the Traffic Signs Regulations and General Directions 2002 and its amendments. If any more details required, working drawings may also be of use. Copies are available from the Department for Transport website or contact the scheme Engineer.



**Sign to be mounted on LC25. Lower sign to be mounted at 2300mm.**

SIGN PLATE DETAILS		
Scheme Ref.:	Broadway, Barnsley	
Sign Ref.:	Diag. No. 521	x-height: N/A
Letter/Symbol:	Black	SIGN PLATE SIZE
Background:	White	Width: 680 mm
Border:	Red	Height: 600 mm
Material:	DG3 + 1160 POF	Area: 0.24 sq.m

SIGN PLATE DETAILS		
Scheme Ref.:	Broadway, Barnsley	
Sign Ref.:	Diag. No. 956	x-height: N/A
Letter/Symbol:	White	SIGN PLATE SIZE
Background:	Blue	Width: 300 mm
Border:	White	Height: 300 mm
Material:	DG3 + 1160 POF	Area: 0.1 sq.m

H:\Traffic\Daniel E\Schemes 14-15\Broadway Signing-Lining Scheme (3700)\ACAD Drawings\TR-3700-03 (Signing - Design).dwg



**BARNSELEY**  
Metropolitan Borough Council

Scale		N.T.S
Drawn	D. Ellis	Date Feb. 2015
Checked	File	TR/3700

Dave Pownall B.Eng, C.Eng, M.I.C.E, F.C.I.H.T  
Head of Highways, Engineering and Transportation  
Highways & Engineering  
PO Box 601, Barnsley, S70 9FA  
Tel. (01226) 773555 Fax. (01226) 772110

Drawing Broadway, Barnsley Sign Design

Drawing No. TR/3700/03 (7RS Rev. A)

Note

1) All signing to be in accordance with the Traffic Signs Regulations and General Directions 2002 and its amendments. If any more details required, working drawings may also be of use. Copies are available from the Department for Transport website or contact the scheme Engineer.



50mm gap between no loading sign and temporary sign



2300mm



Sign to be mounted on LC27. Sign to be removed from site after no more than 90 days.

SIGN PLATE DETAILS		
Scheme Ref.:	Broadway, Barnsley	
Sign Ref.:	Diag. No. 7014	x-height: 75mm
Letter/Symbol:	Black	SIGN PLATE SIZE
Background:	White	Width: 835 mm
Border:	Black	Height: 730 mm
Material:	DG3 + 1160 POF	Area: 0.6 sq.m

SIGN PLATE DETAILS		
Scheme Ref.:	Broadway, Barnsley	
Sign Ref.:	Diag. No. 638	x-height: 20mm
Letter/Symbol:	Black	SIGN PLATE SIZE
Background:	White	Width: 255 mm
Border:	Black	Height: 115 mm
Material:	Non-reflective + 1160 POF	Area: 0.03 sq.m

SIGN PLATE DETAILS		
Scheme Ref.:	Broadway, Barnsley	
Sign Ref.:	Diag. No. 638	x-height: 20mm
Letter/Symbol:	Black	SIGN PLATE SIZE
Background:	White	Width: 255 mm
Border:	Black	Height: 115 mm
Material:	Non-reflective + 1160 POF	Area: 0.03 sq.m

H:\Traffic\Daniel E\Schemes 14-15\Broadway Signing-Lining Scheme (3700)\ACAD Drawings\TR-3700-03 (Signing - Design).dwg



**BARNSLEY**  
Metropolitan Borough Council

Scale	N.T.S	
Drawn	D. Ellis	Date Oct. 2014
Checked	File	TR/3700

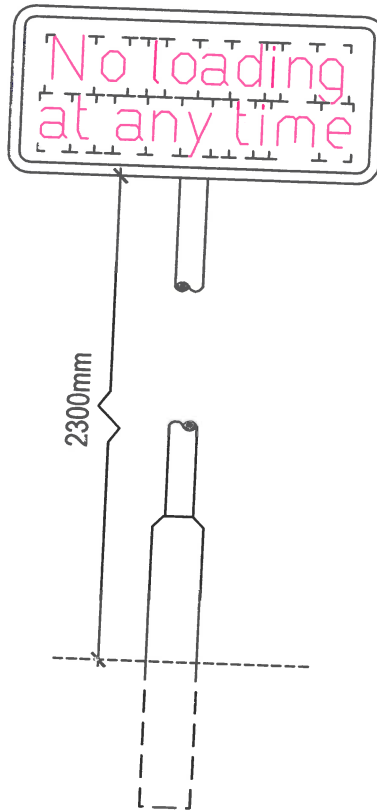
Dave Pownall B.Eng, C.Eng, M.I.C.E, F.C.I.H.T  
Head of Highways, Engineering and Transportation  
Highways & Engineering  
PO Box 601, Barnsley, S70 9FA  
Tel. (01226) 773555 Fax. (01226) 772110

Drawing Broadway, Barnsley  
Sign Design

Drawing No. TR/3700/03 (8RS)

Note

1) All signing to be in accordance with the Traffic Signs Regulations and General Directions 2002 and its amendments. If any more details required, working drawings may also be of use. Copies are available from the Department for Transport website or contact the scheme Engineer.



Sign to be mounted on LC28

SIGN PLATE DETAILS	
Scheme Ref.:	Broadway, Barnsley
Sign Ref.:	Diag. No. 638
Letter/Symbol:	Black
Background:	White
Border:	Black
Material:	Non-reflective + 1160 POF
x-height:	20mm
SIGN PLATE SIZE	
Width:	255 mm
Height:	115 mm
Area:	0.03 sq.m

H:\Traffic\Daniel E\Schemes 14-15\Broadway Signing-Lining Scheme (3700)\ACAD Drawings\TR-3700-03 (Signing - Design).dwg



**BARNSELEY**  
Metropolitan Borough Council

Drawing  
Broadway, Barnsley  
Sign Design

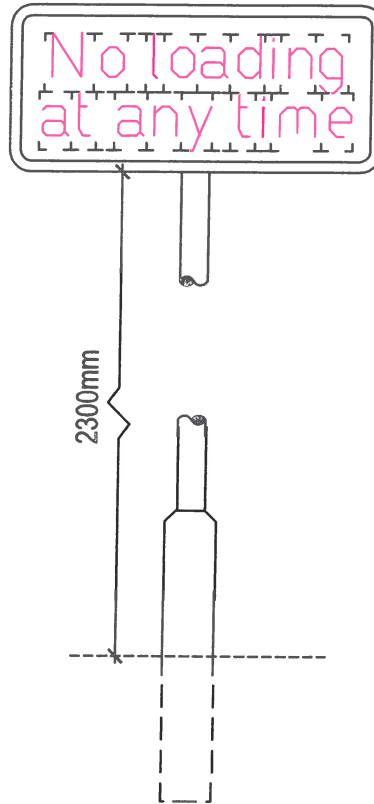
Scale	N.T.S	
Drawn	D. Ellis	Date Oct. 2014
Checked		File TR/3700

Dave Pownall B.Eng, C.Eng, M.I.C.E, F.C.I.H.T  
Head of Highways, Engineering and Transportation  
Highways & Engineering  
PO Box 601, Barnsley, S70 9FA  
Tel. (01226) 773555 Fax. (01226) 772110

Drawing No.  
TR/3700/03 (9RS)

Note

1) All signing to be in accordance with the Traffic Signs Regulations and General Directions 2002 and its amendments. If any more details required, working drawings may also be of use. Copies are available from the Department for Transport website or contact the scheme Engineer.



Sign to be mounted on LC29

SIGN PLATE DETAILS		
Scheme Ref.:	Broadway, Barnsley	
Sign Ref.:	Diag. No. 638	x-height: 20mm
Letter/Symbol:	Black	SIGN PLATE SIZE
Background:	White	Width: 255 mm
Border:	Black	Height: 115 mm
Material:	Non-reflective + 1160 POF	Area: 0.03 sq.m

H:\Traffic\Daniel E\Schemes 14-15\Broadway Signing-Lining Scheme (3700)\ACAD Drawings\TR-3700-03 (Signing - Design).dwg



**BARNSELEY**  
Metropolitan Borough Council

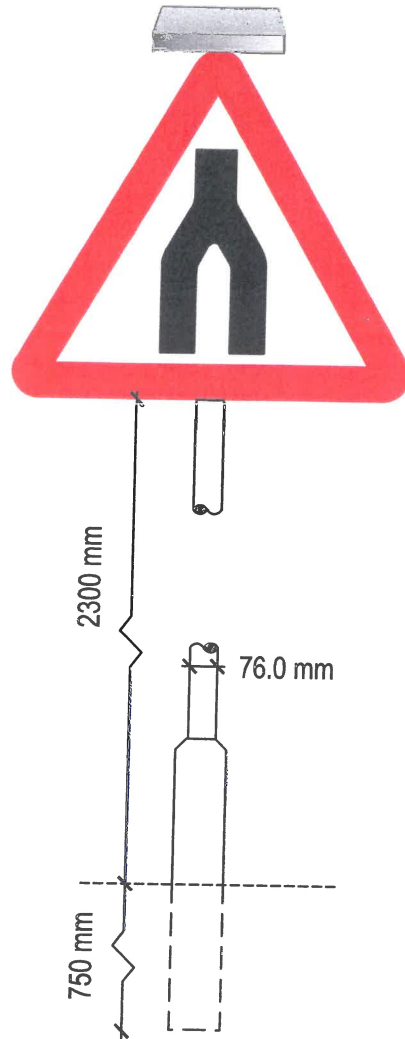
Drawing Broadway, Barnsley  
Sign Design

Scale N.T.S	
Drawn D. Ellis	Date Oct. 2014
Checked	File TR/3700

Dave Pownall B.Eng, C.Eng, M.I.C.E, F.C.I.H.T Head of Highways, Engineering and Transportation Highways & Engineering PO Box 601, Barnsley, S70 9FA Tel. (01226) 773555 Fax. (01226) 772110 Drawing No. TR/3700/03 (10RS)
---

Note

1) All signing to be in accordance with the Traffic Signs Regulations and General Directions 2002 and its amendments. If any more details required, working drawings may also be of use. Copies are available from the Department for Transport website or contact the scheme Engineer.



SIGN PLATE DETAILS			
Scheme Ref.:	Broadway, Barnsley		
Sign Ref.:	Diag. No. 520	x-height:	N/A
Letter/Symbol:	Black	SIGN PLATE SIZE	
Background:	White	Width:	680 mm
Border:	Red	Height:	600 mm
Material:	DG3 + 1160 POF	Area:	0.24 sq.m

POST(S) & FOUNDATION DETAILS			
Mounting Height:	2300mm	Bases:	Individual
Number:	1	Base Width:	700mm
Size:	76.0 mm	Base Length:	700mm
Length:	3625mm	Base Depth:	500mm
Centres:	N/A	Base Vol.:	0.25m3
Illumination:	Yes	Earth Cover:	150 mm

H:\Traffic\Daniel E\Schemes 14-15\Broadway Signing-Lining Scheme (3700)\ACAD Drawings\TR-3700-03 (Signing - Design).dwg



**BARNSLEY**  
Metropolitan Borough Council

Scale

N.T.S

Drawn

D. Ellis

Date

Oct. 2014

Checked

File

TR/3700

Dave Pownall B.Eng, C.Eng, M.I.C.E, F.C.I.H.T

Head of Highways, Engineering and Transportation

Highways & Engineering

PO Box 601, Barnsley, S70 9FA

Tel. (01226) 773555 Fax. (01226) 772110

Drawing No.

TR/3700/03 (11RS)

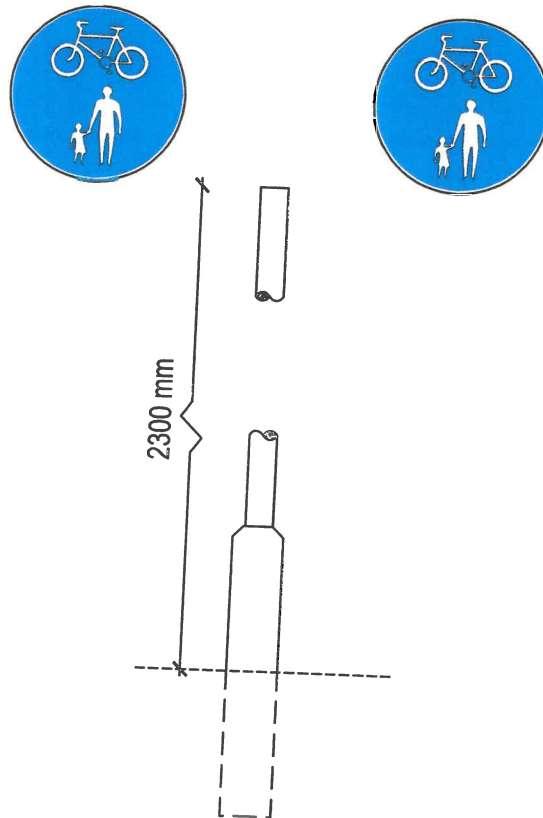
Drawing

Broadway, Barnsley

Sign Design

Note

1) All signing to be in accordance with the Traffic Signs Regulations and General Directions 2002 and its amendments. If any more details required, working drawings may also be of use. Copies are available from the Department for Transport website or contact the scheme Engineer.



**2no. signs to be mounted on LC30.  
Signs to same detail mounted back  
to back.**

SIGN PLATE DETAILS		
Scheme Ref.:	Broadway, Barnsley	
Sign Ref.:	Diag. No. 956	x-height: N/A
Letter/Symbol:	White	SIGN PLATE SIZE
Background:	Blue	Width: 300 mm
Border:	White	Height: 300 mm
Material:	DG3 + 1160 POF	Area: 0.1 sq.m

H:\Traffic\Daniel E\Schemes 14-15\Broadway Signing-Lining Scheme (3700)\ACAD Drawings\TR-3700-03 (Signing - Design).dwg



**BARNSELEY**  
Metropolitan Borough Council

Drawing Broadway, Barnsley  
Sign Design

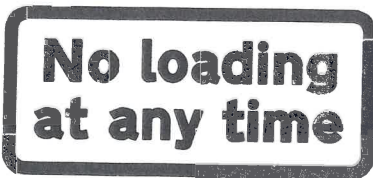
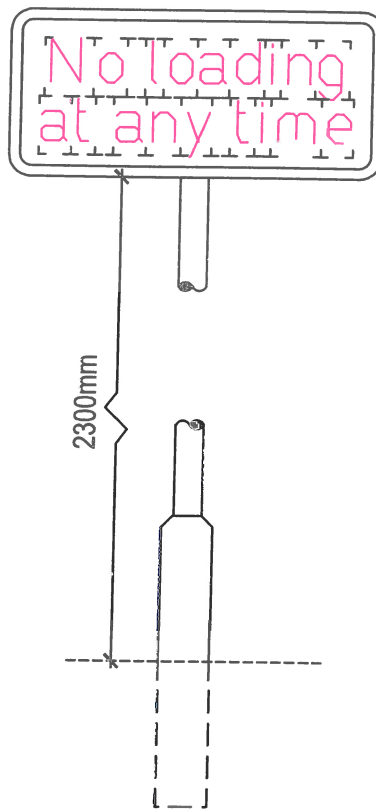
Scale	N.T.S	
Drawn	D. Ellis	Date Oct. 2014
Checked		File TR/3700

Dave Pownall B.Eng, C.Eng, M.I.C.E, F.C.I.H.T  
Head of Highways, Engineering and Transportation  
Highways & Engineering  
PO Box 601, Barnsley, S70 9FA  
Tel. (01226) 773555 Fax. (01226) 772110

Drawing No.  
TR/3700/03 (12RS)

Note

1) All signing to be in accordance with the Traffic Signs Regulations and General Directions 2002 and its amendments. If any more details required, working drawings may also be of use. Copies are available from the Department for Transport website or contact the scheme Engineer.



Sign to be mounted on LC31

SIGN PLATE DETAILS		
Scheme Ref.:	Broadway, Barnsley	
Sign Ref.:	Diag. No. 638	x-height: 20mm
Letter/Symbol:	Black	SIGN PLATE SIZE
Background:	White	Width: 255 mm
Border:	Black	Height: 115 mm
Material:	Non-reflective + 1160 POF	Area: 0.03 sq.m

H:\Traffic\Daniel E\Schemes 14-15\Broadway Signing-Lining Scheme (3700)\ACAD Drawings\TR-3700-03 (Signing - Design).dwg



**BARNLSLEY**  
Metropolitan Borough Council

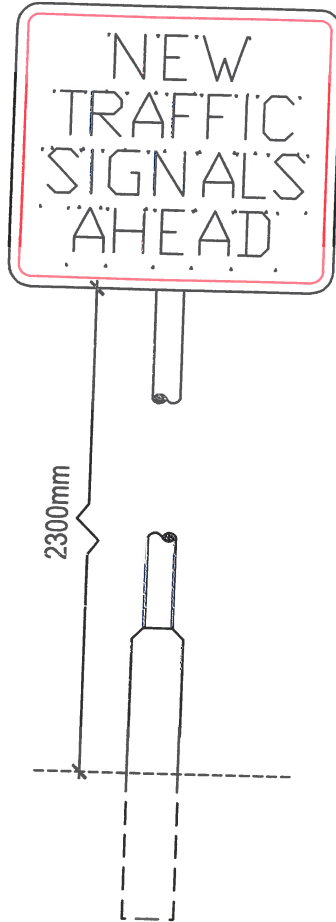
Drawing Broadway, Barnsley  
Sign Design

Scale N.T.S	
Drawn D. Ellis	Date Oct. 2014
Checked	File TR/3700

Dave Pownall B.Eng, C.Eng, M.I.C.E, F.C.I.H.T  
Head of Highways, Engineering and Transportation  
Highways & Engineering  
PO Box 601, Barnsley, S70 9FA  
Tel. (01226) 773555 Fax. (01226) 772110  
Drawing No. TR/3700/03 (13RS)

Note

1) All signing to be in accordance with the Traffic Signs Regulations and General Directions 2002 and its amendments. If any more details required, working drawings may also be of use. Copies are available from the Department for Transport website or contact the scheme Engineer.



**Sign to be mounted on Lighting Column on Keresforth Close. Sign to be removed from site after no more than 90 days.**

SIGN PLATE DETAILS			
Scheme Ref.:	Broadway, Barnsley		
Sign Ref.:	Diag. No. 7014	x-height:	75mm
Letter/Symbol:	White	SIGN PLATE SIZE	
Background:	Red	Width:	835 mm
Border:	White	Height:	730 mm
Material:	DG3 + 1160 POF	Area:	0.6 sq.m

H:\Traffic\Daniel E\Schemes 14-15\Broadway Signing-Lining Scheme (3700)\ACAD Drawings\TR-3700-03 (Signing - Design).dwg



**BARNSELEY**  
Metropolitan Borough Council

Scale	N.T.S	
Drawn	D. Ellis	Date Oct. 2014
Checked	File	TR/3700

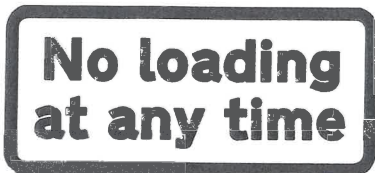
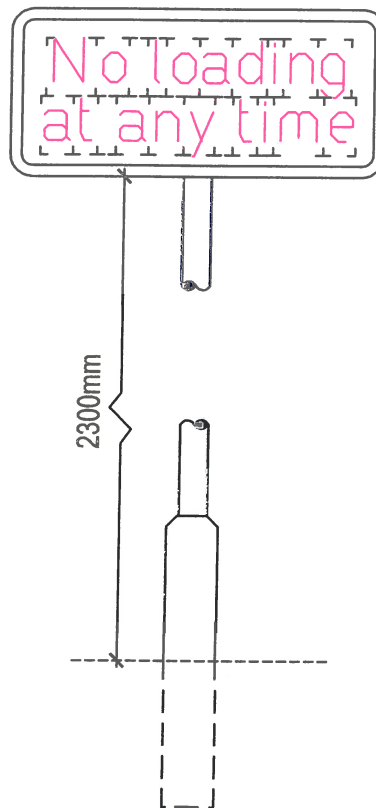
Dave Pownall B.Eng, C.Eng, M.I.C.E, F.C.I.H.T  
Head of Highways, Engineering and Transportation  
Highways & Engineering  
PO Box 601, Barnsley, S70 9FA  
Tel. (01226) 773555 Fax. (01226) 772110

Drawing Broadway, Barnsley  
Sign Design

Drawing No. TR/3700/03 (14RS)

**Note**

1) All signing to be in accordance with the Traffic Signs Regulations and General Directions 2002 and its amendments. If any more details required, working drawings may also be of use. Copies are available from the Department for Transport website or contact the scheme Engineer.



**Sign to be mounted on LC32**

SIGN PLATE DETAILS		
Scheme Ref.:	Broadway, Barnsley	
Sign Ref.:	Diag. No. 638	x-height: 20mm
Letter/Symbol:	Black	SIGN PLATE SIZE
Background:	White	Width: 255 mm
Border:	Black	Height: 115 mm
Material:	Non-reflective + 1160 POF	Area: 0.03 sq.m

H:\Traffic\Daniel E\Schemas 14-15\Broadway Signing-Lining Scheme (3700)\ACAD Drawings\TR-3700-03 (Signing - Design).dwg

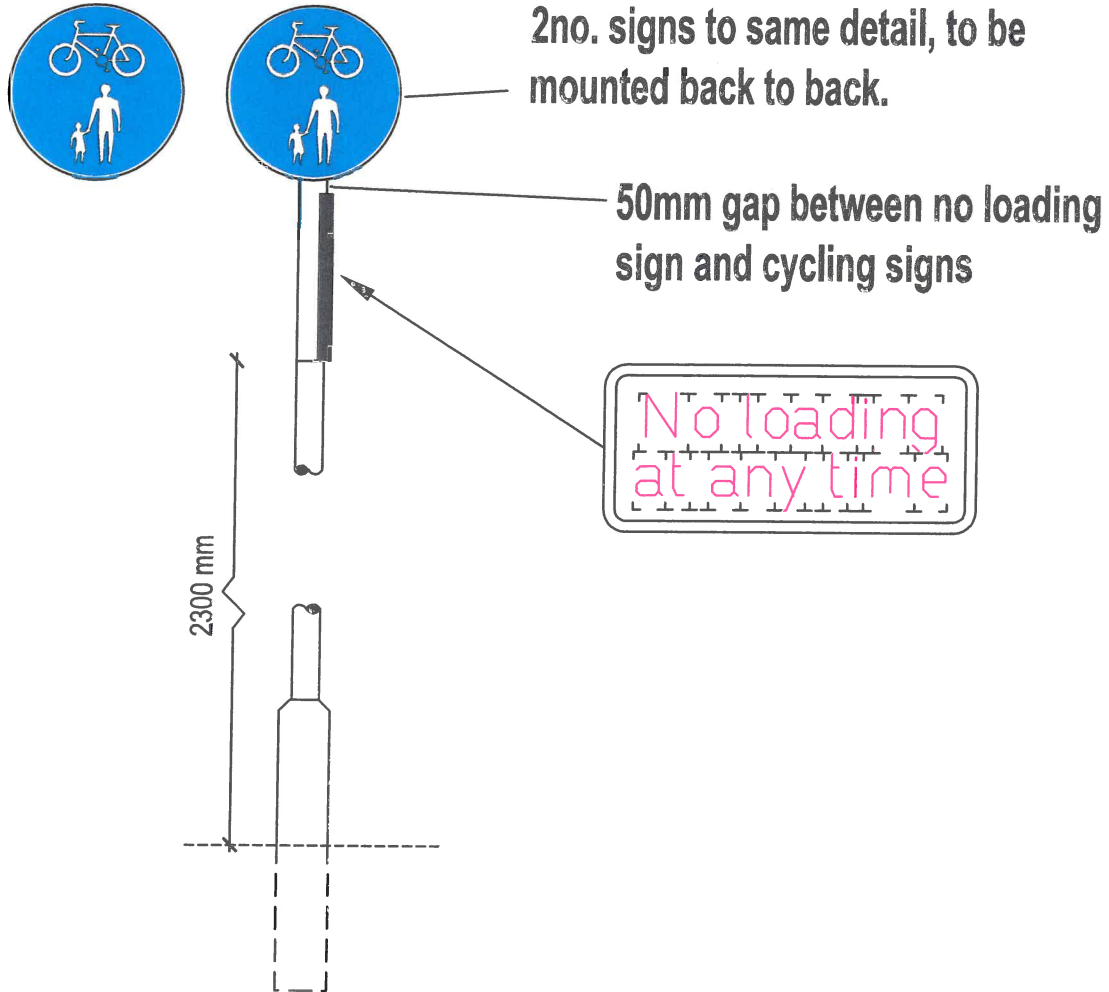


**BARNSLEY**  
Metropolitan Borough Council

Scale		N.T.S	Dave Pownall B.Eng, C.Eng, M.I.C.E, F.C.I.H.T Head of Highways, Engineering and Transportation Highways & Engineering PO Box 601, Barnsley, S70 9FA Tel. (01226) 773555 Fax. (01226) 772110
Drawn	Date	Oct. 2014	
Checked	File	TR/3700	
Drawing		Broadway, Barnsley Sign Design	Drawing No. TR/3700/03 (15RS)

**Note**

1) All signing to be in accordance with the Traffic Signs Regulations and General Directions 2002 and its amendments. If any more details required, working drawings may also be of use. Copies are available from the Department for Transport website or contact the scheme Engineer.



Sign to be mounted on LC32a,  
2no. signs to same detail to be  
mounted back to back

SIGN PLATE DETAILS		
Scheme Ref.:	Broadway, Barnsley	
Sign Ref.:	Diag. No. 956	x-height: N/A
Letter/Symbol:	White	SIGN PLATE SIZE
Background:	Blue	Width: 300 mm
Border:	White	Height: 300 mm
Material:	Non-reflective + 1160 POF	Area: 0.16 sq.m

SIGN PLATE DETAILS		
Scheme Ref.:	Broadway, Barnsley	
Sign Ref.:	Diag. No. 638	x-height: 20mm
Letter/Symbol:	Black	SIGN PLATE SIZE
Background:	White	Width: 255 mm
Border:	Black	Height: 115 mm
Material:	Non-reflective + 1160 POF	Area: 0.03 sq.m

H:\Traffic\Daniel E\Schemes 14-15\Broadway Signing-Lining Scheme (3700)\ACAD Drawings\TR-3700-03 (Signing - Design).dwg



**BARNSLEY**  
Metropolitan Borough Council

Scale  
N.T.S

Drawn  
D. Ellis

Date  
Oct. 2014

Checked

File  
TR/3700

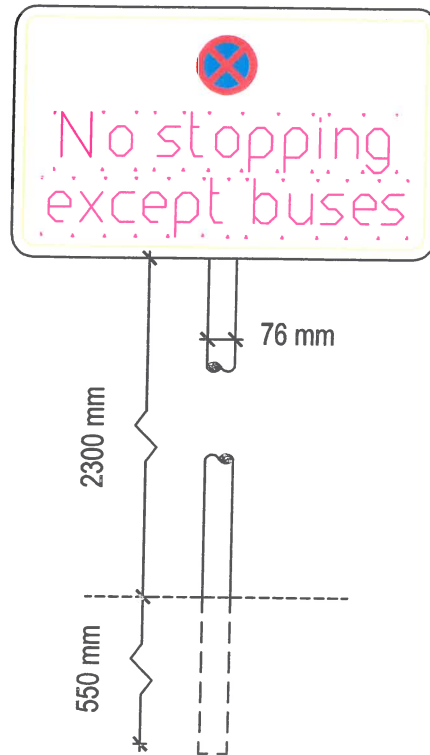
Dave Pownall B.Eng, C.Eng, M.I.C.E, F.C.I.H.T  
Head of Highways, Engineering and Transportation  
Highways & Engineering  
PO Box 601, Barnsley, S70 9FA  
Tel. (01226) 773555 Fax. (01226) 772110

Drawing  
Broadway, Barnsley  
Sign Design

Drawing No.  
TR/3700/03 (16RS)

Note

1) All signing to be in accordance with the Traffic Signs Regulations and General Directions 2002 and its amendments. If any more details required, working drawings may also be of use. Copies are available from the Department for Transport website or contact the scheme Engineer.



SIGN PLATE DETAILS		
Scheme Ref.:	Broadway, Barnsley	
Sign Ref.:	Diag. No. 638	x-height: 20mm
Letter/Symbol:	Black	SIGN PLATE SIZE
Background:	White	Width: 290 mm
Border:	Black	Height: 175 mm
Material:	Non-reflective + 1160 POF	Area: 0.03 sq.m

POST(S) & FOUNDATION DETAILS		
Mounting Height:	2300mm	Bases: Individual
Number:	1	Base Width: 600mm
Size:	76.0 mm	Base Length: 600mm
Length:	3025mm	Base Depth: 400mm
Centres:	N/A	Base Vol.: 0.14m <sup>3</sup>
Illumination:	No	Earth Cover: 150 mm

H:\Traffic\Daniel E\Schemes 14-15\Broadway Signing-Lining Scheme (3700)\ACAD Drawings\TR-3700-03 (Signing - Design).dwg



**BARN斯LEY**  
Metropolitan Borough Council

Drawing

Broadway, Barnsley  
Sign Design

Scale

N.T.S

Drawn  
D. Ellis

Date  
Oct. 2014

Checked

File  
TR/3700

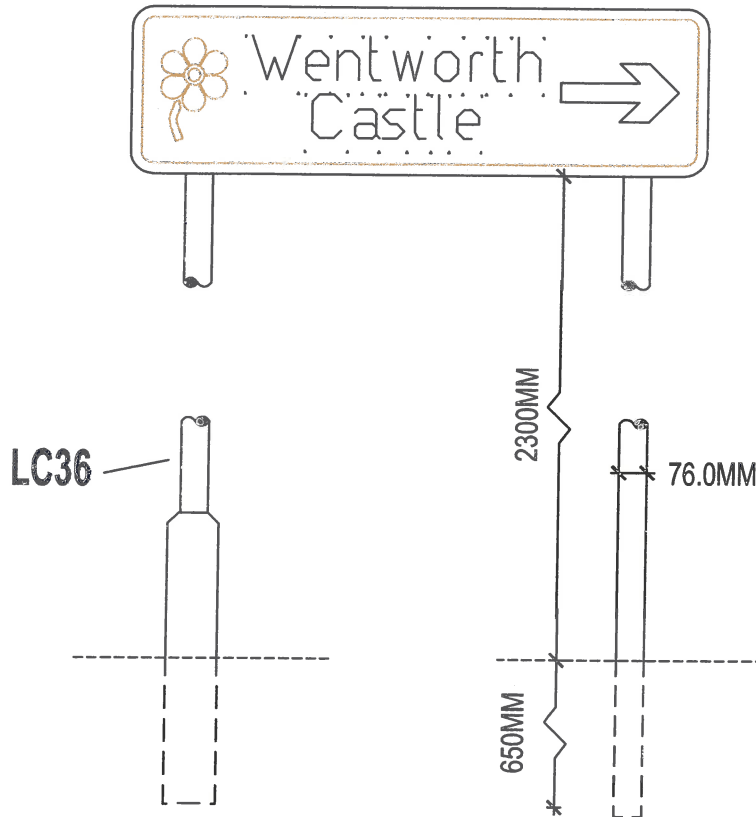
Dave Pownall B.Eng, C.Eng, M.I.C.E, F.C.I.H.T  
Head of Highways, Engineering and Transportation  
Highways & Engineering  
PO Box 601, Barnsley, S70 9FA  
Tel. (01226) 773555 Fax. (01226) 772110

Drawing No.

TR/3700/03 (17RS)

Note

1) All signing to be in accordance with the Traffic Signs Regulations and General Directions 2002 and its amendments. If any more details required, working drawings may also be of use. Copies are available from the Department for Transport website or contact the scheme Engineer.



SIGN PLATE DETAILS		
Scheme Ref.:	Broadway, Barnsley	
Sign Ref.:	Diag. No. 2210	x-height: 75mm
Letter/Symbol:	White	SIGN PLATE SIZE
Background:	Brown	Width: 1480mm
Border:	White	Height: 430mm
Material:	DG3 + 1160 POF	Area: 0.64 sq.m

POST(S) & FOUNDATION DETAILS		
Mounting Height:	2300mm	Bases: Individual
Number:	1	Base Width: 500mm
Size:	76.0 mm	Base Length: 800mm
Length:	3200mm	Base Depth: 400mm
Centres:	900mm	Base Vol.: 1.78m3
Illumination:	No	Earth Cover: 150 mm

H:\Traffic\Daniel E\Schemes 14-15\Broadway Signing-Lining Scheme (3700)\ACAD Drawings\TR-3700-03 (Signing - Design).dwg



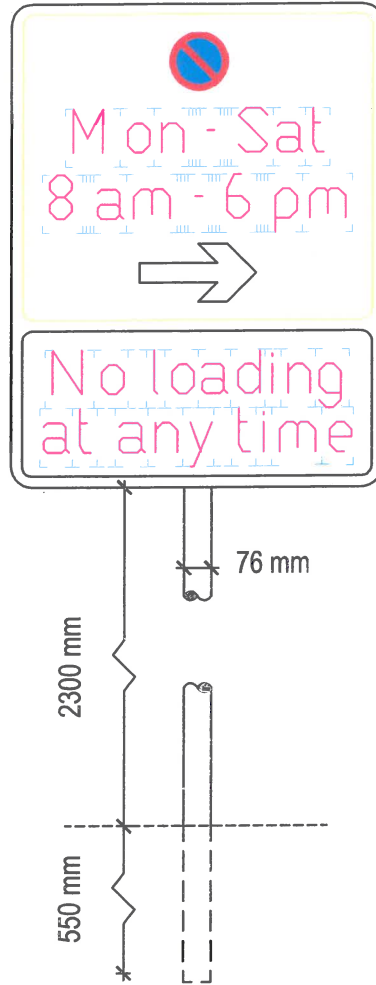
**BARNSELEY**  
Metropolitan Borough Council

Scale N.T.S		Dave Pownall B.Eng, C.Eng, M.I.C.E, F.C.I.H.T Head of Highways, Engineering and Transportation Highways & Engineering PO Box 601, Barnsley, S70 9FA Tel. (01226) 773555 Fax. (01226) 772110
Drawn D. Ellis	Date Oct. 2014	
Checked	File TR/3700	Drawing No. TR/3700/03 (18RS)

Drawing Broadway, Barnsley  
Sign Design

**Note**

1) All signing to be in accordance with the Traffic Signs Regulations and General Directions 2002 and its amendments. If any more details required, working drawings may also be of use. Copies are available from the Department for Transport website or contact the scheme Engineer.



SIGN PLATE DETAILS		
Scheme Ref.:	Broadway, Barnsley	
Sign Ref.:	Diag. No. 639/638	x-height: 20mm
Letter/Symbol:	Black	SIGN PLATE SIZE
Background:	White/Yellow	Width: 255mm
Border:	Black	Height: 330mm
Material:	Non-reflective + 1160 POF	Area: 0.1 sq.m

POST(S) & FOUNDATION DETAILS		
Mounting Height:	2300 mm	Bases: Individual
Number:	1	Base Width: 600mm
Size:	76.1 x 3.2 CHS	Base Length: 600mm
Length:	3180mm	Base Depth: 400mm
Centres:	N/A	Base Vol.: 0.14m3
Illumination:	No	Earth Cover: 150 mm

H:\Traffic\Daniel E\Schemes 14-15\Broadway Signing-Lining Scheme (3700)\ACAD Drawings\TR-3700-03 (Signing - Design).dwg



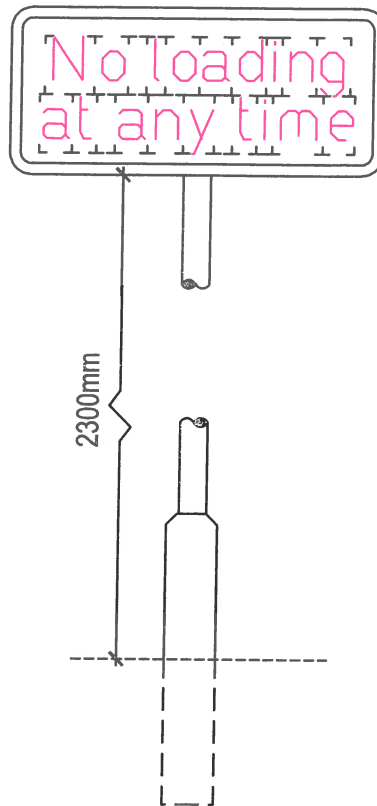
**BARNSELEY**  
Metropolitan Borough Council

Scale		N.T.S		Dave Pownall B.Eng, C.Eng, M.I.C.E, F.C.I.H.T Head of Highways, Engineering and Transportation Highways & Engineering PO Box 601, Barnsley, S70 9FA Tel. (01226) 773555 Fax. (01226) 772110	
Drawn	D. Ellis	Date	Oct. 2014	Drawing No. TR/3700/03 (19RS)	
Checked		File	TR/3700		

Drawing Broadway, Barnsley  
Sign Design

Note

1) All signing to be in accordance with the Traffic Signs Regulations and General Directions 2002 and its amendments. If any more details required, working drawings may also be of use. Copies are available from the Department for Transport website or contact the scheme Engineer.



Sign to be mounted on LC35

SIGN PLATE DETAILS		
Scheme Ref.:	Broadway, Barnsley	
Sign Ref.:	Diag. No. 638	x-height: 20mm
Letter/Symbol:	Black	<b>SIGN PLATE SIZE</b>
Background:	White	Width: 255 mm
Border:	Black	Height: 115 mm
Material:	Non-reflective + 1160 POF	Area: 0.03 sq.m

H:\Traffic\Daniel EISchemes 14-19\Broadway Signing-Lining Scheme (3700)\ACAD Drawings\TR-3700-03 (Signing - Design).dwg



**BARNSELEY**  
Metropolitan Borough Council

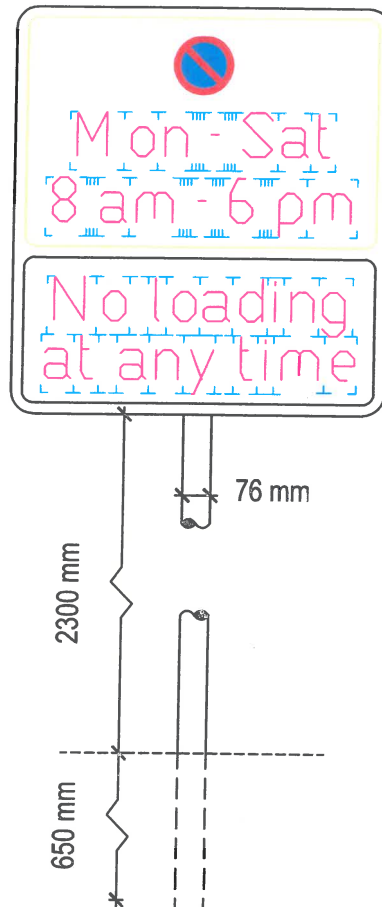
Drawing Broadway, Barnsley  
Sign Design

Scale N.T.S	
Drawn D. Ellis	Date Oct. 2014
Checked	File TR/3700

Dave Pownall B.Eng, C.Eng, M.I.C.E, F.C.I.H.T Head of Highways, Engineering and Transportation Highways & Engineering PO Box 601, Barnsley, S70 9FA Tel. (01226) 773555 Fax. (01226) 772110 Drawing No. TR/3700/03 (20RS)
--

Note

1) All signing to be in accordance with the Traffic Signs Regulations and General Directions 2002 and its amendments. If any more details required, working drawings may also be of use. Copies are available from the Department for Transport website or contact the scheme Engineer.



SIGN PLATE DETAILS		
Scheme Ref.:	Broadway, Barnsley	
Sign Ref.:	Diag. No. 639/638	x-height: 20mm
Letter/Symbol:	Black	SIGN PLATE SIZE
Background:	White/Yellow	Width: 255mm
Border:	Black	Height: 280mm
Material:	Non-reflective + 1160 POF	Area: 0.1 sq.m

POST(S) & FOUNDATION DETAILS			
Mounting Height:	2300 mm	Bases:	Individual
Number:	1	Base Width:	600mm
Size:	76.1 x 3.2 CHS	Base Length:	600mm
Length:	3130mm	Base Depth:	400mm
Centres:	N/A	Base Vol.:	0.14m <sup>3</sup>
Illumination:	No	Earth Cover:	150 mm

H:\Traffic\Daniel E\Schemes 14-15\Broadway Signing-Lining Scheme (3700)\ACAD Drawings\TR-3700-03 (Signing - Design).dwg



**BARNSELEY**  
Metropolitan Borough Council

Scale N.T.S	
Drawn D. Ellis	Date Oct. 2014
Checked	File TR/3700

Dave Pownall B.Eng, C.Eng, M.I.C.E, F.C.I.H.T Head of Highways, Engineering and Transportation Highways & Engineering PO Box 601, Barnsley, S70 9FA Tel. (01226) 773555 Fax. (01226) 772110
Drawing No. TR/3700/03 (21RS)

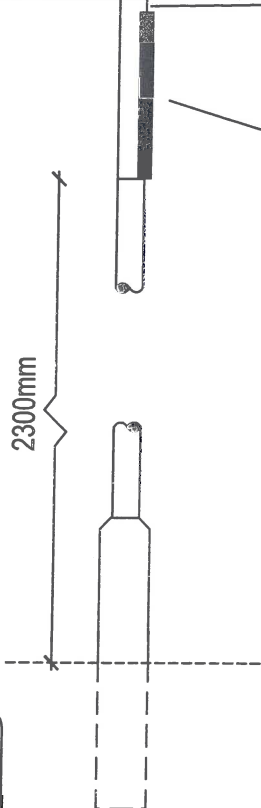
Drawing Broadway, Barnsley  
Sign Design

Note

1) All signing to be in accordance with the Traffic Signs Regulations and General Directions 2002 and its amendments. If any more details required, working drawings may also be of use. Copies are available from the Department for Transport website or contact the scheme Engineer.



50mm gap between no loading sign and temporary sign



**Signs to be mounted on LC37**

SIGN PLATE DETAILS		
Scheme Ref.:	Broadway, Barnsley	
Sign Ref.:	Diag. No. 7014	x-height: 75mm
Letter/Symbol:	White	SIGN PLATE SIZE
Background:	Red	Width: 835 mm
Border:	White	Height: 730 mm
Material:	DG3 + 1160 POF	Area: 0.6 sq.m

SIGN PLATE DETAILS		
Scheme Ref.:	Broadway, Barnsley	
Sign Ref.:	Diag. No. 638	x-height: 20mm
Letter/Symbol:	Black	SIGN PLATE SIZE
Background:	White	Width: 255 mm
Border:	Black	Height: 115 mm
Material:	Non-reflective + 1160 POF	Area: 0.03 sq.m



H:\Traffic\Daniel E\Schemes 14-15\Broadway Signing-Lining Scheme (3700)\ACAD Drawings\TR-3700-03 (Signing - Design).dwg



**BARNLSLEY**  
Metropolitan Borough Council

Scale

N.T.S

Drawn

D. Ellis

Date

Oct. 2014

Checked

File

TR/3700

Dave Pownall B.Eng, C.Eng, M.I.C.E, F.C.I.H.T

Head of Highways, Engineering and Transportation  
Highways & Engineering

PO Box 601, Barnsley, S70 9FA

Tel. (01226) 773555 Fax. (01226) 772110

Drawing No.

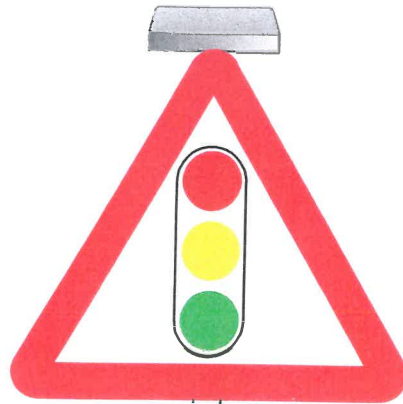
TR/3700/03 (22RS)

Drawing

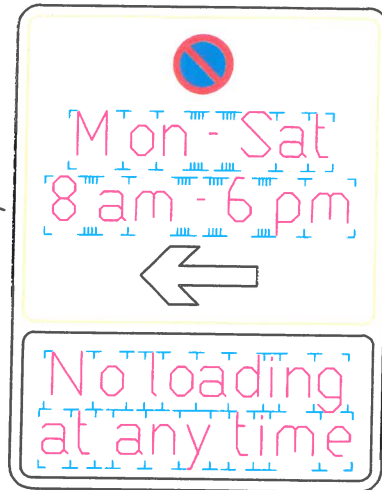
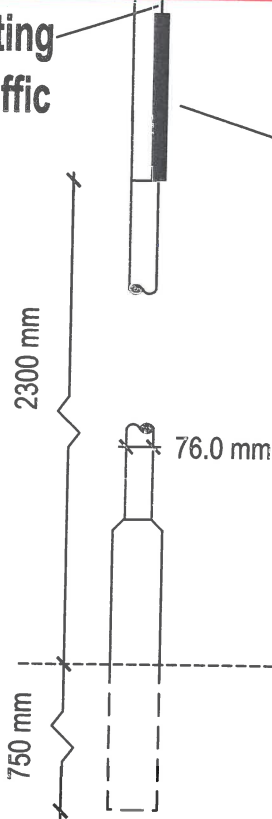
Broadway, Barnsley  
Sign Design

Note

1) All signing to be in accordance with the Traffic Signs Regulations and General Directions 2002 and its amendments. If any more details required, working drawings may also be of use. Copies are available from the Department for Transport website or contact the scheme Engineer.



50mm gap between waiting restrictions sign and traffic signals warning sign



SIGN PLATE DETAILS		
Scheme Ref.:	Broadway, Barnsley	
Sign Ref.:	Diag. No. 543	x-height: N/A
Letter/Symbol:	Black	SIGN PLATE SIZE
Background:	White	Width: 680mm
Border:	Red	Height: 600mm
Material:	DG3 + 1160 POF	Area: 0.4 sq.m

SIGN PLATE DETAILS		
Scheme Ref.:	Broadway, Barnsley	
Sign Ref.:	Diag. No. 639/638	x-height: 20mm
Letter/Symbol:	Black	SIGN PLATE SIZE
Background:	White/Yellow	Width: 255mm
Border:	Black	Height: 330mm
Material:	Non-reflective + 1160 POF	Area: 0.1 sq.m

POST(S) & FOUNDATION DETAILS			
Mounting Height:	2300 mm	Bases:	Individual
Number:	1	Base Width:	800mm
Size:	76.1 x 3.2 CHS	Base Length:	800mm
Length:	4030mm	Base Depth:	600mm
Centres:	N/A	Base Vol.:	0.18 m3
Illumination:	Yes	Earth Cover:	150 mm

H:\Traffic\Daniel E\Schemes 14-15\Broadway Signing-Lining Scheme (3700)\ACAD Drawings\TR-3700-03 (Signing - Design).dwg



**BARNLSLEY**  
Metropolitan Borough Council

Scale

N.T.S

Drawn

D. Ellis

Date

Oct. 2014

Checked

File

TR/3700

Dave Pownall B.Eng, C.Eng, M.I.C.E, F.C.I.H.T

Head of Highways, Engineering and Transportation  
Highways & Engineering

PO Box 601, Barnsley, S70 9FA

Tel. (01226) 773555 Fax. (01226) 772110

Drawing

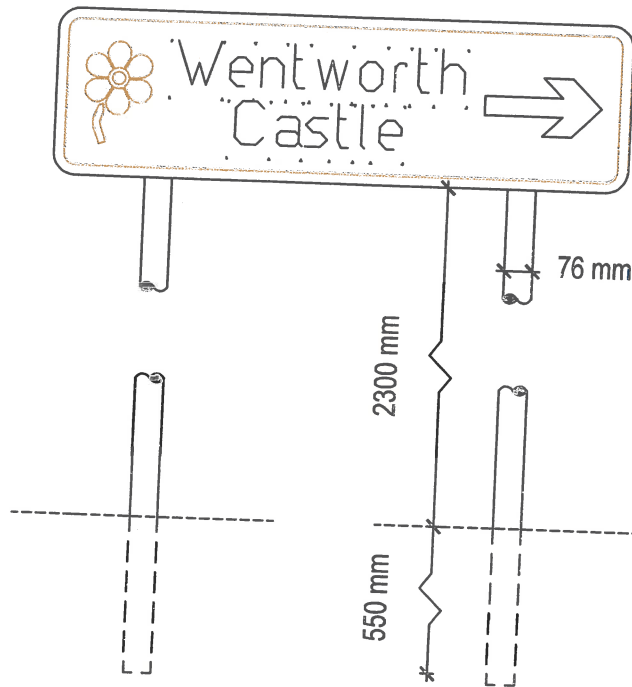
Broadway, Barnsley  
Sign Design

Drawing No.

TR/3700/03 (23RS)

Note

1) All signing to be in accordance with the Traffic Signs Regulations and General Directions 2002 and its amendments. If any more details required, working drawings may also be of use. Copies are available from the Department for Transport website or contact the scheme Engineer.



SIGN PLATE DETAILS		
Scheme Ref.:	Broadway, Barnsley	
Sign Ref.:	Diag. No. 2210	x-height: 75mm
Letter/Symbol:	White	SIGN PLATE SIZE
Background:	Brown	Width: 1480mm
Border:	White	Height: 430mm
Material:	DG3 + 1160 POF	Area: 0.64 sq.m

POST(S) & FOUNDATION DETAILS		
Mounting Height:	2300mm	Bases: Individual
Number:	2	Base Width: 500mm
Size:	76.0 mm	Base Length: 800mm
Length:	3195mm	Base Depth: 400mm
Centres:	N/A	Base Vol.: 1.78m3
Illumination:	No	Earth Cover: 150 mm

H:\Traffic\Daniel E\Schemes 14-15\Broadway Signing-Lining Scheme (3700)\ACAD Drawings\TR-3700-03 (Signing - Design).dwg



**BARNSELEY**  
Metropolitan Borough Council

Drawing  
Broadway, Barnsley  
Sign Design

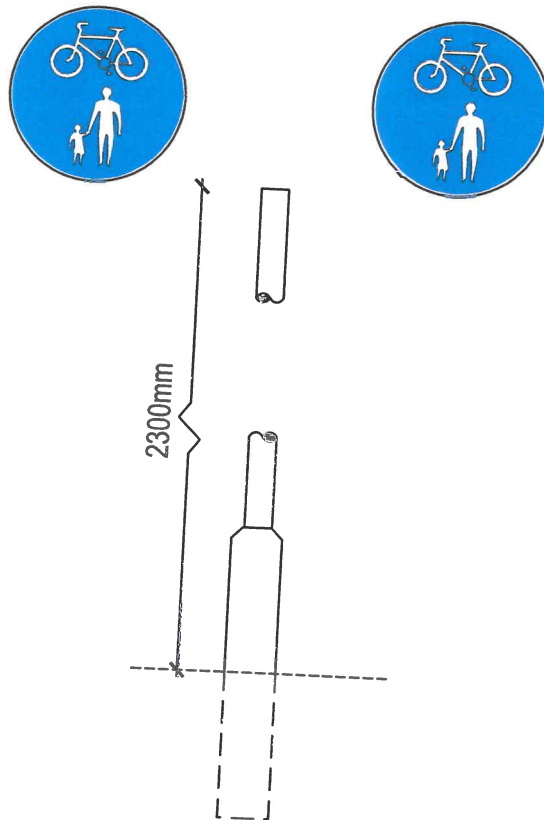
Scale	N.T.S	
Drawn	D. Ellis	Date Oct. 2014
Checked	File	TR/3700

Dave Pownall B.Eng, C.Eng, M.I.C.E, F.C.I.H.T  
Head of Highways, Engineering and Transportation  
Highways & Engineering  
PO Box 601, Barnsley, S70 9FA  
Tel. (01226) 773555 Fax. (01226) 772110

Drawing No.  
TR/3700/03 (24RS)

Note

1) All signing to be in accordance with the Traffic Signs Regulations and General Directions 2002 and its amendments. If any more details required, working drawings may also be of use. Copies are available from the Department for Transport website or contact the scheme Engineer.



2no. signs to same detail, to be mounted on LC39 back to back

SIGN PLATE DETAILS		
Scheme Ref.:	Broadway, Barnsley	
Sign Ref.:	Diag. No. 956	x-height: N/A
Letter/Symbol:	White	SIGN PLATE SIZE
Background:	Blue	Width: 300 mm
Border:	White	Height: 300 mm
Material:	DG3 + 1160 POF	Area: 0.1 sq.m

H:\Traffic\Daniel E\Schemes 14-15\Broadway Signing-Lining Scheme (3700)\ACAD Drawings\TR-3700-03 (Signing - Design).dwg



**BARNSELEY**  
Metropolitan Borough Council

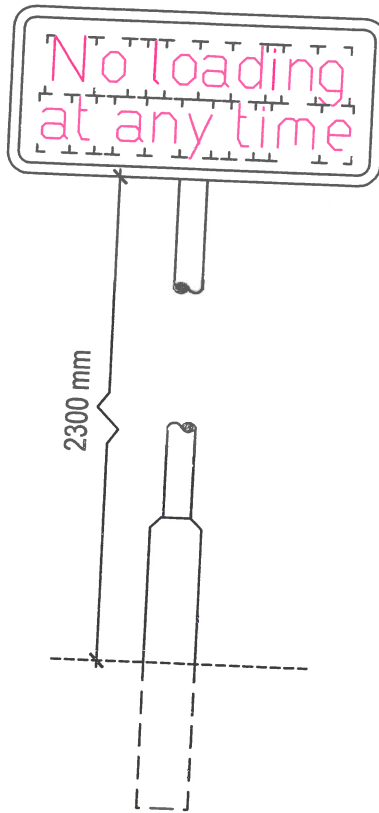
Drawing Broadway, Barnsley  
Sign Design

Scale N.T.S	
Drawn D. Ellis	Date Oct. 2014
Checked	File TR/3700

Dave Pownall B.Eng, C.Eng, M.I.C.E, F.C.I.H.T  
Head of Highways, Engineering and Transportation  
Highways & Engineering  
PO Box 601, Barnsley, S70 9FA  
Tel. (01226) 773555 Fax. (01226) 772110  
Drawing No. TR/3700/03 (25RS)

Note

1) All signing to be in accordance with the Traffic Signs Regulations and General Directions 2002 and its amendments. If any more details required, working drawings may also be of use. Copies are available from the Department for Transport website or contact the scheme Engineer.



Sign to be mounted on LC40

SIGN PLATE DETAILS		
Scheme Ref.:	Broadway, Barnsley	
Sign Ref.:	Diag. No. 638	x-height: 20mm
Letter/Symbol:	Black	SIGN PLATE SIZE
Background:	White	Width: 255 mm
Border:	Black	Height: 115 mm
Material:	Non-reflective + 1160 POF	Area: 0.03 sq.m

H:\Traffic\Daniel E\Schemes 14-15\Broadway Signing-Lining Scheme (3700)\ACAD Drawings\TR-3700-03 (Signing - Design).dwg



**BARNSELEY**  
Metropolitan Borough Council

Drawing Broadway, Barnsley  
Sign Design

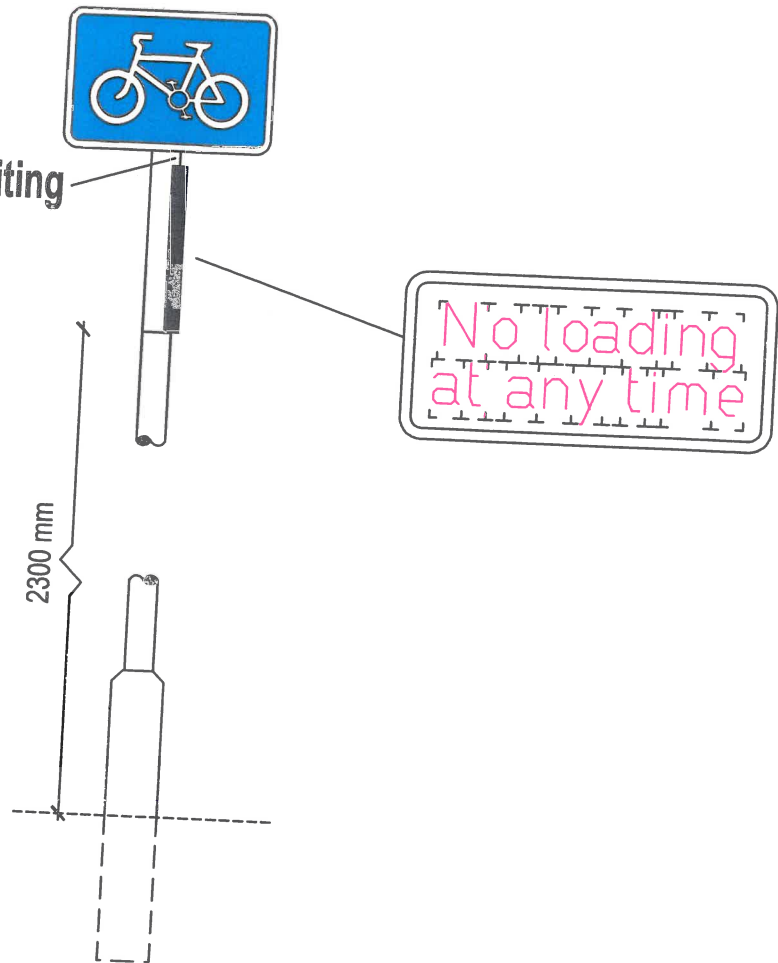
Scale	N.T.S	
Drawn	D. Ellis	Date Oct. 2014
Checked		File TR/3700

Dave Pownall B.Eng, C.Eng, M.I.C.E, F.C.I.H.T  
Head of Highways, Engineering and Transportation  
Highways & Engineering  
PO Box 601, Barnsley, S70 9FA  
Tel. (01226) 773555 Fax. (01226) 772110  
Drawing No. TR/3700/03 (26RS)

Note

1) All signing to be in accordance with the Traffic Signs Regulations and General Directions 2002 and its amendments. If any more details required, working drawings may also be of use. Copies are available from the Department for Transport website or contact the scheme Engineer.

50mm gap between waiting restrictions sign and carriageway cycle sign



Sign to be mounted on LC41

SIGN PLATE DETAILS		
Scheme Ref.:	Broadway, Barnsley	
Sign Ref.:	Diag. No. 638	x-height: 20mm
Letter/Symbol:	Black	SIGN PLATE SIZE
Background:	White	Width: 255 mm
Border:	Black	Height: 115 mm
Material:	Non-reflective + 1160 POF	Area: 0.03 sq.m

SIGN PLATE DETAILS		
Scheme Ref.:	Broadway, Barnsley	
Sign Ref.:	Diag. No. 967	x-height: N/A
Letter/Symbol:	White	SIGN PLATE SIZE
Background:	Blue	Width: 440 mm
Border:	White	Height: 300 mm
Material:	Non-reflective + 1160 POF	Area: 0.13 sq.m

H:\Traffic\Daniel E\Schemes 14-15\Broadway Signing-Lining Scheme (3700)\ACAD Drawings\TR-3700-03 (Signing - Design).dwg



**BARNSELEY**  
Metropolitan Borough Council

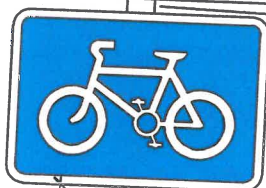
Drawing Broadway, Barnsley  
Sign Design

Scale	N.T.S	
Drawn	D. Ellis	Date Oct. 2014
Checked		File TR/3700

Dave Pownall B.Eng, C.Eng, M.I.C.E, F.C.I.H.T  
Head of Highways, Engineering and Transportation  
Highways & Engineering  
PO Box 601, Barnsley, S70 9FA  
Tel. (01226) 773555 Fax. (01226) 772110  
Drawing No. TR/3700/03 (27RS)

Note

1) All signing to be in accordance with the Traffic Signs Regulations and General Directions 2002 and its amendments. If any more details required, working drawings may also be of use. Copies are available from the Department for Transport website or contact the scheme Engineer.



50mm gap between waiting restrictions sign and carriageway cycle sign

2300 mm

Sign to be mounted on LC44

SIGN PLATE DETAILS		
Scheme Ref.:	Broadway, Barnsley	
Sign Ref.:	Diag. No. 878	x-height: 50mm
Letter/Symbol:	Black	SIGN PLATE SIZE
Background:	White	Width: 705 mm
Border:	Black	Height: 640 mm
Material:	DG3 + 1160 POF	Area: 0.45 sq.m

SIGN PLATE DETAILS		
Scheme Ref.:	Broadway, Barnsley	
Sign Ref.:	Diag. No. 967	x-height: N/A
Letter/Symbol:	White	SIGN PLATE SIZE
Background:	Blue	Width: 550 mm
Border:	White	Height: 375 mm
Material:	Non-reflective + 1160 POF	Area: 0.21 sq.m



H:\Traffic\Daniel E\Schemes 14-15\Broadway Signing-Lining Scheme (3700)\ACAD Drawings\TR-3700-03 (Signing - Design).dwg



**BARNSELEY**  
Metropolitan Borough Council

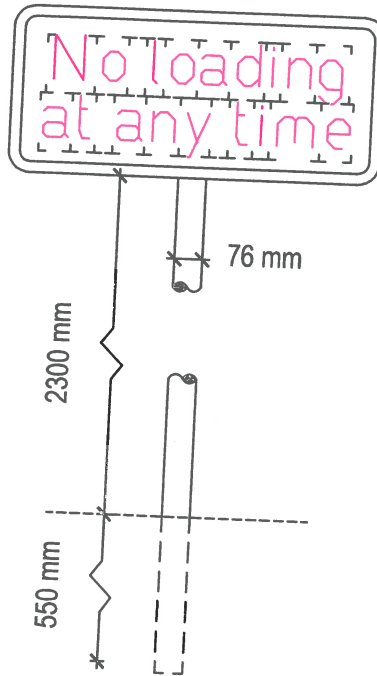
Drawing Broadway, Barnsley Sign Design

Scale		N.T.S
Drawn	D. Ellis	Date Oct. 2014
Checked		File TR/3700

Dave Pownall B.Eng, C.Eng, M.I.C.E, F.C.I.H.T  
Head of Highways, Engineering and Transportation  
Highways & Engineering  
PO Box 601, Barnsley, S70 9FA  
Tel. (01226) 773555 Fax. (01226) 772110  
Drawing No. TR/3700/03 (28RS)

Note

1) All signing to be in accordance with the Traffic Signs Regulations and General Directions 2002 and its amendments. If any more details required, working drawings may also be of use. Copies are available from the Department for Transport website or contact the scheme Engineer.



SIGN PLATE DETAILS			
Scheme Ref.:	Broadway, Barnsley		
Sign Ref.:	Diag. No. 638	x-height:	20mm
Letter/Symbol:	Black	SIGN PLATE SIZE	
Background:	White	Width:	255 mm
Border:	Black	Height:	115 mm
Material:	Non-reflective + 1160 POF	Area:	0.03 sq.m

POST(S) & FOUNDATION DETAILS			
Mounting Height:	2300mm	Bases:	Individual
Number:	1	Base Width:	500mm
Size:	76.0 mm	Base Length:	500mm
Length:	2965mm	Base Depth:	400mm
Centres:	N/A	Base Vol.:	0.1m3
Illumination:	No	Earth Cover:	150 mm

H:\Traffic\Daniel E\Schemes 14-15\Broadway Signing-Lining Scheme (3700)\ACAD Drawings\TR-3700-03 (Signing - Design).dwg



**BARNSLEY**  
Metropolitan Borough Council

Drawing

Broadway, Barnsley  
Sign Design

Scale

N.T.S

Drawn

D. Ellis

Date

Oct. 2014

Checked

File

TR/3700

Dave Pownall B.Eng, C.Eng, M.I.C.E, F.C.I.H.T

Head of Highways, Engineering and Transportation  
Highways & Engineering

PO Box 601, Barnsley, S70 9FA

Tel. (01226) 773555 Fax. (01226) 772110

Drawing No.

TR/3700/03 (29RS)

**SCHEDULE 1**  
**THE DRAWINGS**

HD/A6133.278/200/1,  
HD/A6133.278/500/1A,  
HD/A6133.278/700/1,  
HD/A6133.278/1100/1A,  
HD/A6133.278/1100/2,  
Tr.612.1/848,  
HD/A6133.278/Details,  
TR-3700-01 (Lining – Design) (1 of 2),  
TR-3700-01 (Lining – Design) (2 of 2),  
TR-3700-02 (Signing – Site Clearance) (1 of 2),  
TR-3700-02 (Signing – Site Clearance) (2 of 2),  
TR-3700-03 1RS to 29 RS inclusive,  
TR-3700-03 (Signing – Design) (1 of 2),  
TR-3700-03 (Signing – Design) (2 of 2),  
TR-3701-01 (Site Clearance),  
TR-3701-02 (Traffic Signal Design),  
TR3701-04 (Communication Works)  
Drawing number HD/A6133.278/Land/1

**SCHEDULE 2**

**THE WORKS**

- Formation of access into housing development
- Provision and alteration of traffic signals and all associated works
- Provision or alteration of street lighting
- Ducting
- Footway widening
- Footway resurfacing
- Carriageway resurfacing
- Signing and lining
- Any other works ancillary to the above

**SCHEDULE 3**

**THE WORKS AND ASSOCIATED ELEMENTS**

Estimated Cost
Works Costs
Safety Audit Fee
Statutory Undertakers Works
Supervision Fee
Traffic Regulation Order Costs
Commuted Sum
Legal Costs

EXECUTED by the parties hereto as a Deed the day and year first before written

THE COMMON SEAL of Barnsley )  
Metropolitan Borough Council was )  
hereunto affixed in the presence of:- )

Director of Legal & Governance/Authorised Signatory

No. 1401  
IN REGISTER

Executed as a Deed by

**TAYLOR WIMPEY UK LIMITED**

Acting by its Attorney in the presence of:-

**Beverly Fury**

ATTORNEY

ATTORNEY

**Peter Marsden**

Witness:

**Karen Harris**  
**1 Lumsdale Road**  
**Stratford**  
**M32 OUT**

Witness Address:

THE COMMON SEAL of National )  
House Building Council was )  
hereunto affixed in the presence of:- )

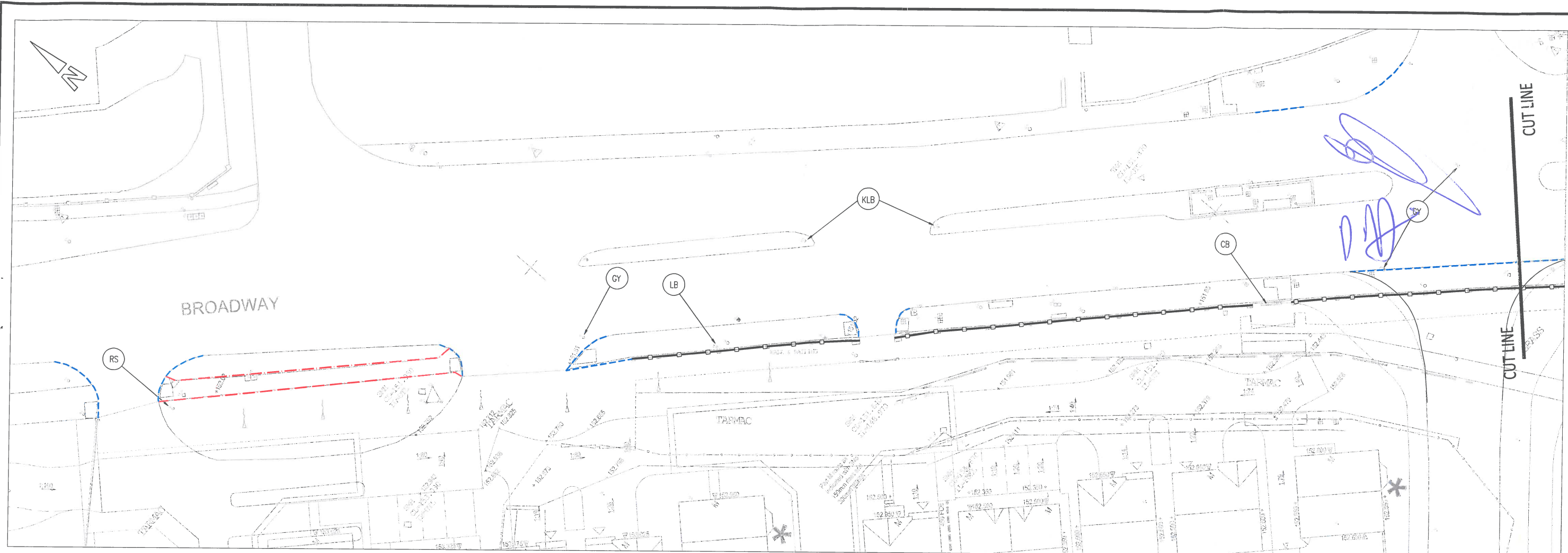
Director

BUSINESS PARTNER MANAGER

AUTHORISED SIGNATORY

Authorised Signatory

BUSINESS SUPPORT TEAM LEADER  
AUTHORISED SIGNATORY



Key:

- - - - - Precast concrete kerbs to be taken up and removed to tip off site
- - - - - Precast concrete edgings to be taken up and removed to tip off site
- One and a half brick thick boundary wall to be taken up and removed to tip off site
- KLB Keep left bollard to be deserviced, taken up and removed to tip off site
- CB Cycle barrier to be taken up and removed to tip off site
- LB Litter bin to be taken up and set aside for re-use
- RS Sign and post to be taken up and removed to tip off site
- CY Gully cover and frame to be taken up and removed to tip off site. Gully pot to be backfilled using ST1 concrete and connection sealed.

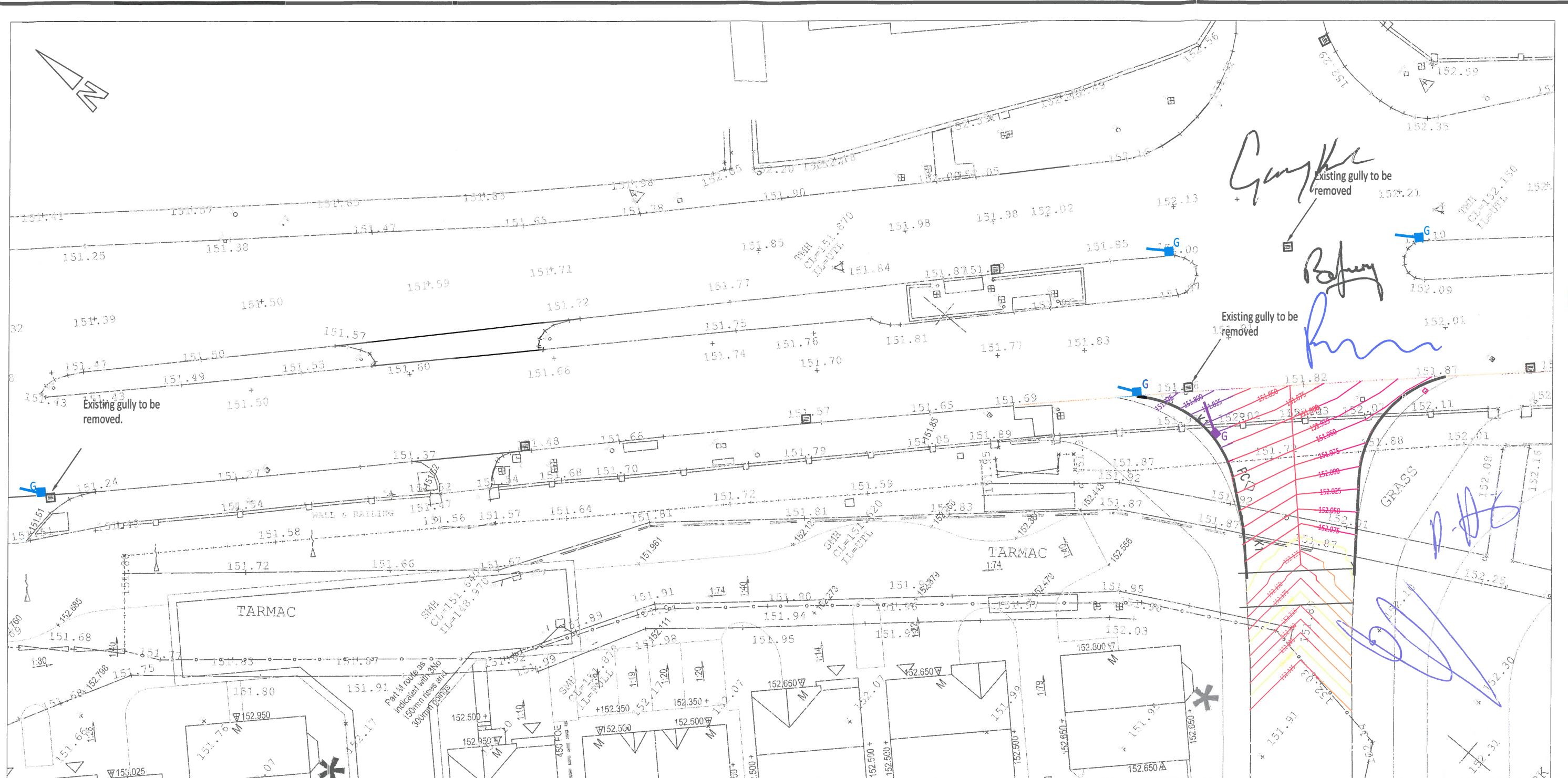
*Befury Gungth*

Rev.	By	Amendments	Date





Project <b>Former Kingstone School S278 Works</b>			
Drawing title <b>Series 200 Site Clearance</b>			
Scale 1:200	Drawn AC	Checked	Date Aug 2014
Drawing No. HD/A6133.278/200/1			File FILE

Matthew Gladstone, Interim Executive Director,  
Development, Environment and Culture Directorate  
Westgate Plaza One, Westgate  
Barnsley, S70 2DR  
Tel. (01226) 773555 Fax. (01226) 772110



**Key:**

-  Existing gully
-  New gully and connection

- NOTES**
1. All carrier drain pipework to be clayware to B.S. EN 295 with a crushing strength of not less than 28KN/m
  2. Class A Concrete bed and surround to all pipework.
  3. All gully connections to be 150mm Ø clayware to B.S. EN 295 with a crushing strength of not less than 28KN/m
  4. All gullies to be trapped gullies to MCDHW Highway Construction Details Drawing No. F13
  5. All trenches to be backfilled to underside of carriageway / footway construction with Type 2 sub-base material.
  7. Surfacing details as shown in drawing no. HD/A6133.278/700/1

COMPUTER FILE NAME



**BARNSELEY**  
Metropolitan Borough Council

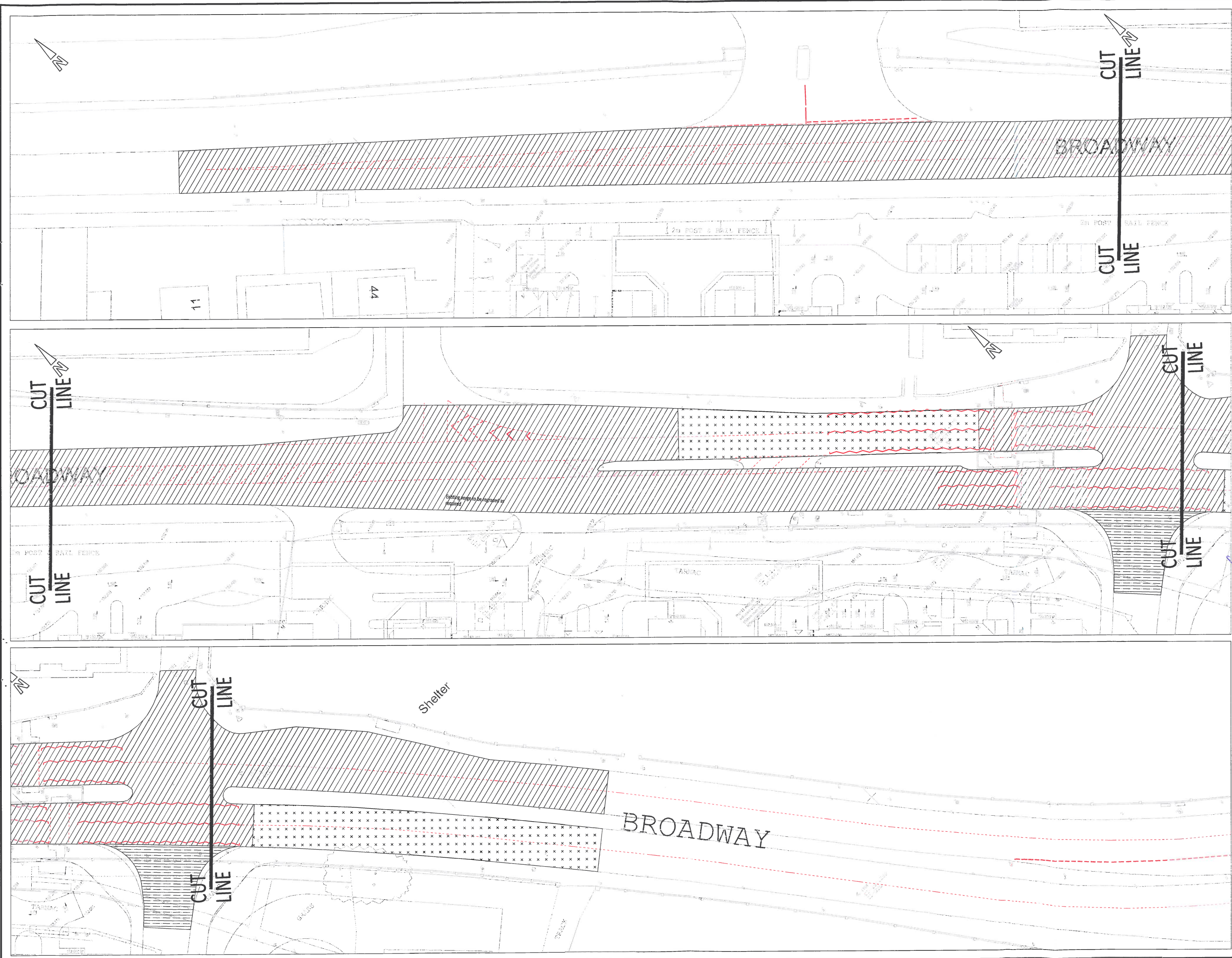
**Series 500 - Drainage and Service Ducts**  
Former Kingstone School Site - S278 Works

By	No.	Date	Amendments
AC	A	1/15	Levels across new access altered to increase channel gradient

Scale		1:200
Drawn	Date	Aug 2014
Checked	File	

Matthew Gladstone, Interim Executive Director,  
Development, Environment and Culture Directorate  
Westgate Plaza One, Westgate  
Barnsley, S70 2DR  
Tel. (01226) 773555 Fax. (01226) 772110

Drawing No.  
**HD/A6133.278/500/1A**



- Key:**
- Carriageway full construction
    - 40mm Type 1 sub-base
    - 100mm Q/32mm DBM base course
    - 50mm Q/20mm DBM binder course
    - 40mm Q/14mm SMA surface course (Min PSV 65)
  - Carriageway resurfacing
    - Mill existing carriageway, depth not exceeding 40mm
    - 40mm Q/14mm SMA surface course (Min PSV 65)
  - Carriageway resurfacing
    - Mill existing carriageway, depth not exceeding 40mm
    - 40mm Q/14mm SMA surface course (Min PSV 65)

*Before*  
*h*  
*Gang*

- Notes:**
- This drawing is to be read in conjunction with the statutory undertakers, kerbing and lining drawings. Lining shown on this drawing for illustrative purposes only
  - The contractor shall be responsible for referencing the horizontal and vertical alignment of any proposed resurfacing
  - The site limits for the scheme shall be those indicated and the existing highway boundaries
  - Access to properties and fields is to be maintained at all times
  - Where the road is to be open to traffic all vertical surfaces remaining during construction or ironwork (service box, gully grate, manhole cover) adjustment shall be ramped with 6mm nominal sized bituminous material, which shall be adequately compacted before trafficking, at a slope no greater than 1:10 to the adjacent surface subject to the additional requirements, that no item shall stand greater than 75mm above the adjacent road surface over a 2.8m width. Any ironwork standing greater than 75mm above the adjacent road surface shall be removed and securely plated over, including ramping to the above requirements
  - All manhole covers, gully grates and service box covers shall be adjusted to proposed level prior to surfacing
  - The contractor shall take sufficient care, while excavating existing kerb, bed and haunch, not to disturb the adjacent carriageway, footway and verge. Any unnecessary overbreak shall be reinstated at the Contractors own expense
  - After the milling of bituminous material in the carriageway, a visual inspection will be undertaken by the Engineer to determine whether additional works are necessary
  - A tack coat (type A) shall be applied to existing road surfaces, base and binder course prior to laying the binder course and surface course.

Rev.	By	Amendments	Date



**Project**  
 Former Kingstone School  
 S278 Works

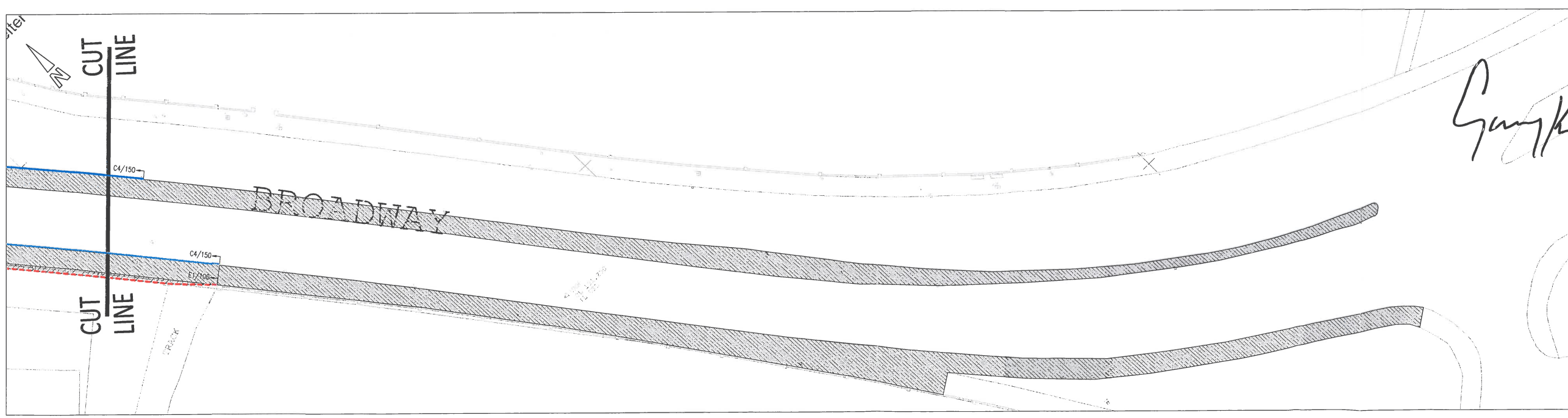
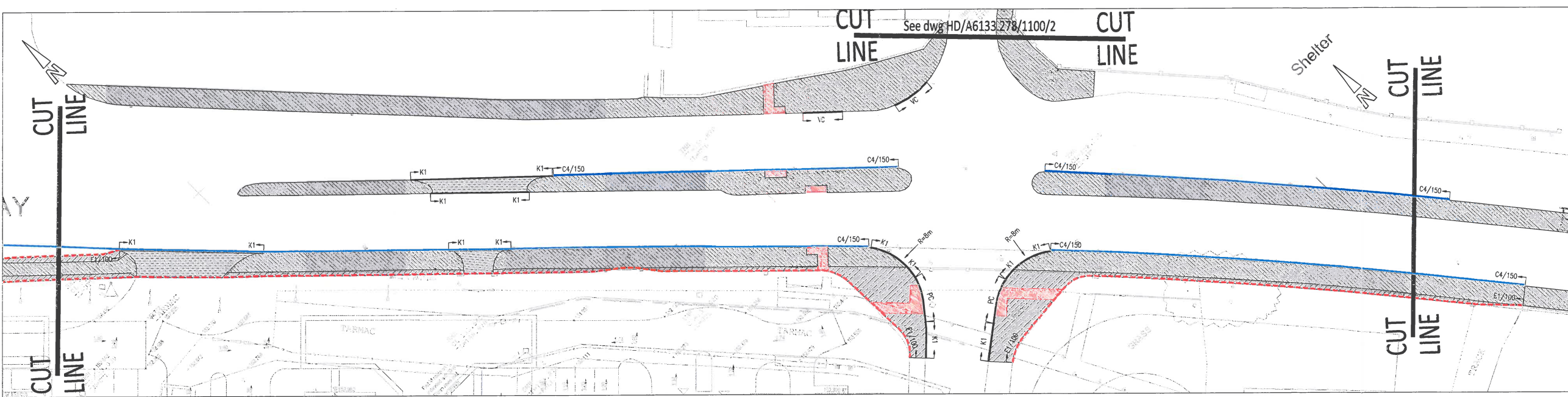
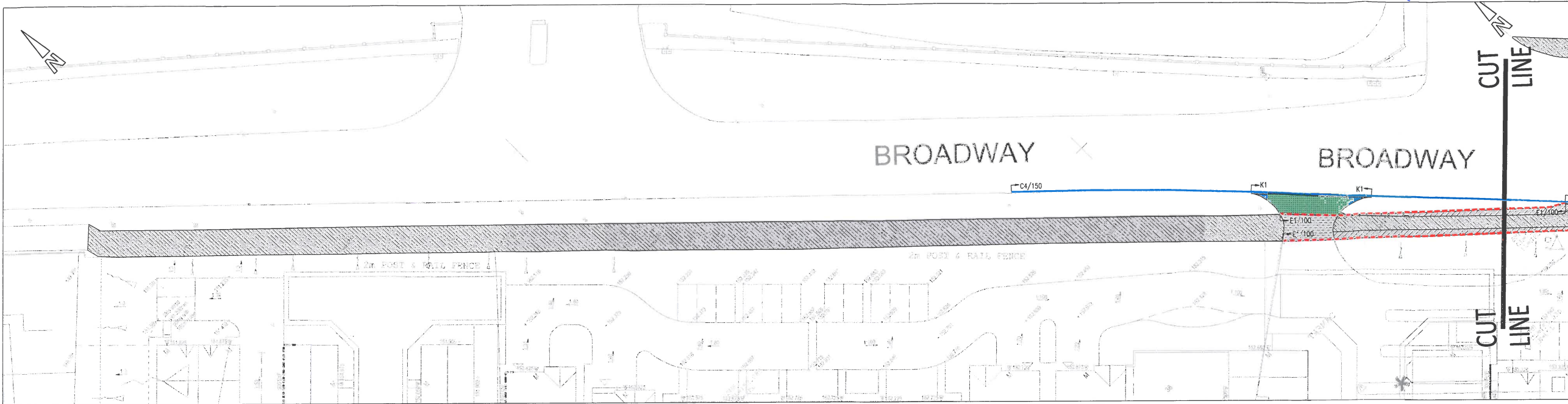
**Drawing title**  
 Pavements  
 Series 700

**Scale** 1:200    **Drawn** AC    **Checked**    **Date** Aug 2014

**Drawing No.** HD/A6133.278/700/1    **Revision**    **File** FILE

Matthew Gladstone, Interim Executive Director,  
 Development, Environment and Culture Directorate  
 Westgate Plaza One, Westgate  
 Barnsley, S70 2DR  
 Tel. (01226) 773555 Fax. (01226) 772110

*Refury*



- KEY:**
- Precast concrete kerbs
  - Precast concrete edgings
  - Precast concrete channels
  - Footway resurfacing
    - Mill existing footway, depth not exceeding 25mm
    - 25mm 0/6mm DBM surface course
  - Footway full construction
    - 150mm Type 1 sub-base
    - 75mm 0/20mm DBM binder course
    - 25mm 0/6mm DBM surface course
  - Footway overlay:
    - 75mm 0/20mm DBM binder course
    - 25mm 0/6mm DBM surface course
  - Tactile paving:
    - 65mm thick red precast concrete tactile paving
    - 40mm sharp sand
    - 100mm Type 1 sub-base
  - Verge construction
    - Min 150mm topsoil and seed with mixture Type A

- NOTES**
1. The site limits for the scheme shall be the work areas indicated and the existing highway boundaries.
  2. Access to properties and fields is to be maintained at all times.
  3. Where the road is to be open to traffic, all vertical surfaces remaining during construction or ironwork (service box, gully grate, manhole cover) adjustment shall be ramped with 6mm nominal sized asphalt material, which shall be adequately compacted before trafficking, at a slope no greater than 1:10 to the adjacent surface. Subject to the additional requirements that no item shall stand greater than 75mm above the adjacent road surface over a 1.8 metre width. Any ironwork standing greater than 75mm above the adjacent road surface shall be removed and securely plated over, including ramping to the above requirements. The contractor shall allow for providing the above in his rates.
  4. All manhole covers, gully grates and service box covers shall be adjusted to proposed level prior to surfacing.
  5. A tack coat (Type A) shall be applied to existing road surfaces, base and binder course, prior to laying the binder course and surface course.
  6. The Contractor shall be responsible for referencing the horizontal and vertical alignment of any proposed rekerbing works.
  7. The contractor shall take sufficient care, while excavating existing kerb, bed & haunch, not to disturb the adjacent carriageway, footway or verge. Any unnecessary overbreak shall be reinstated at the contractor's expense.
  8. After excavating existing kerbs, bed and backing, any voids occurring, where the existing concrete extends over a greater sectional area than the proposed kerb, bed and backing, shall be replaced with concrete mix ST4.
  9. After the milling of bituminous material in the carriageway & footway, a visual inspection will be undertaken by the supervisor to determine whether additional works are necessary.
  10. For details of drainage, see drawing no HD/A6133.278/500/1

Rev.	By	Amendments	Date
A	A	Precast concrete channels added	Jan 2015



**Project**  
Former Kingstone School  
S278 Works

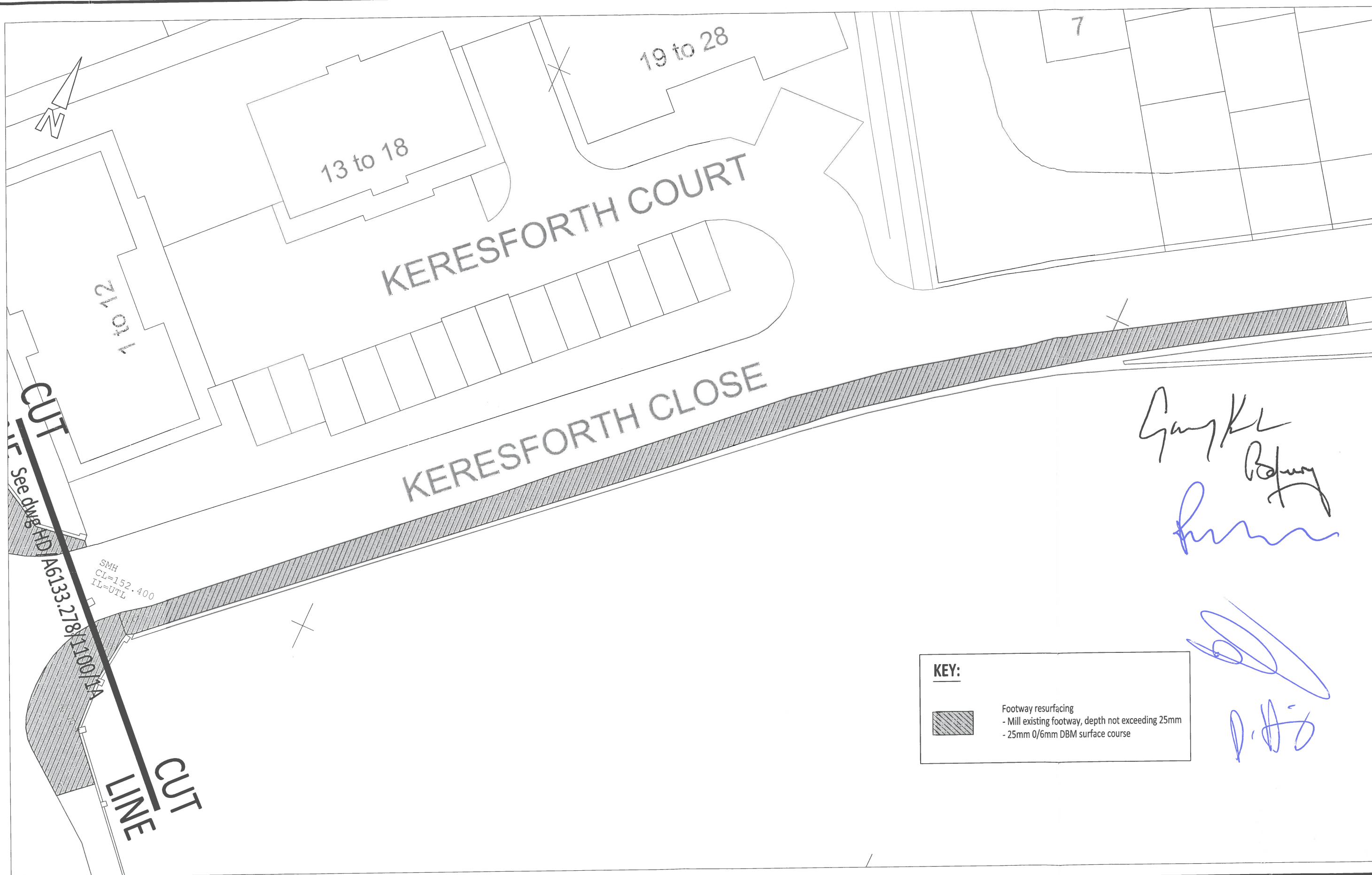
**Drawing title**  
Series 1100: Kerbs, Channels,  
Edgings and Footway Areas (1 of 2)

Scale	Drawn	Checked	Date
1:200	AC		Sept 2014

Drawing No.	Revision	File
HD/A6133.278/1100/1	A	FILE


Matthew Gladstone, Interim Executive Director,  
Development, Environment and Culture Directorate  
Westgate Plaza One, Westgate  
Barnsley, S70 2DR  
Tel. (01226) 773555 Fax. (01226) 772110

*Gangh*



*Gangke*  
*Refury*  
*[Signature]*  
*[Signature]*  
*[Signature]*

**KEY:**

 Footway resurfacing  
 - Mill existing footway, depth not exceeding 25mm  
 - 25mm 0/6mm DBM surface course

COMPUTER FILE NAME



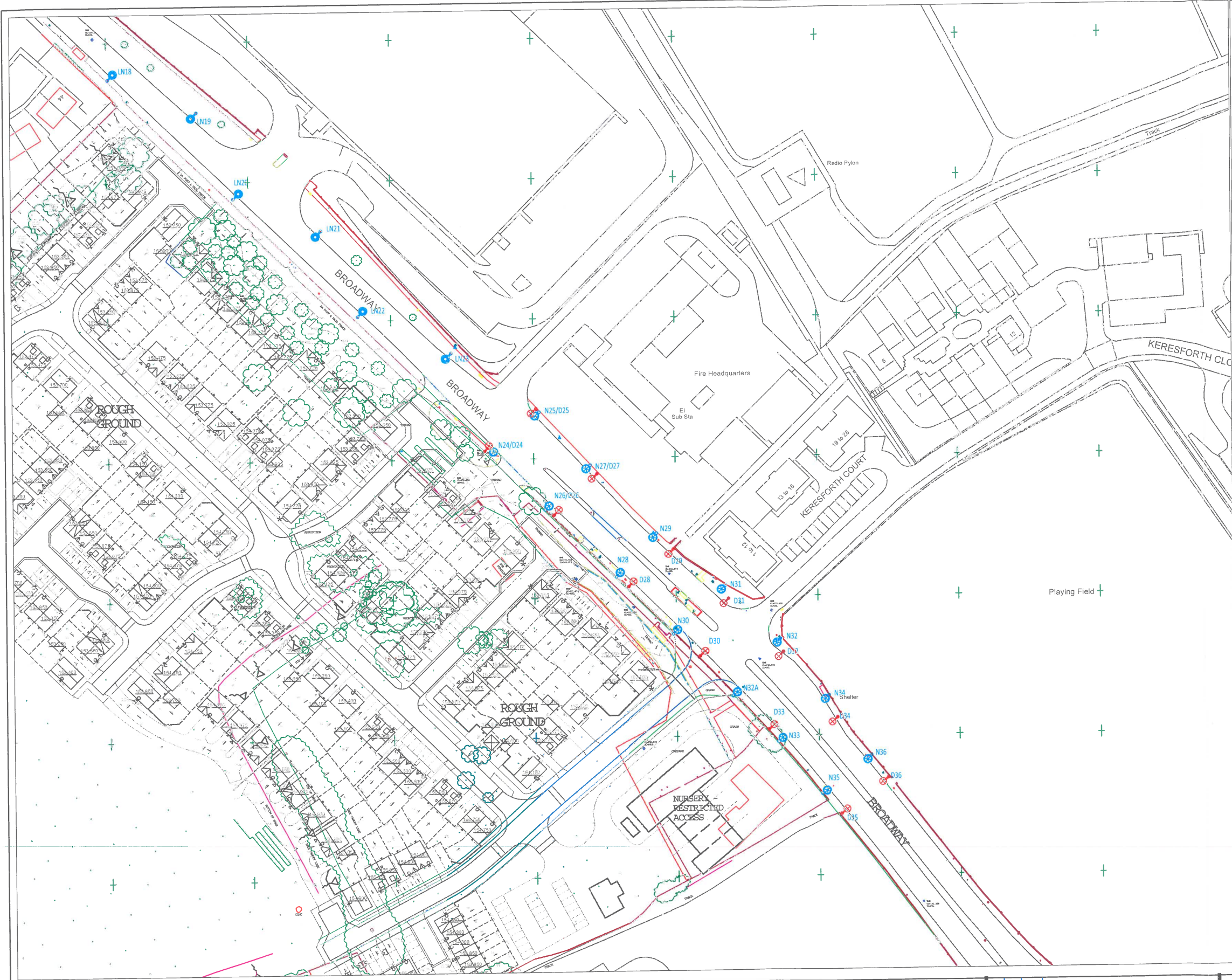
**BARNLSLEY**  
 Metropolitan Borough Council

Series 1100 Kerbs, Channels, Edgings and Footway Areas (2 of 2)  
 Former Kingstone School S278 Works

By	No.	Date	Amendments

Scale 1:200	
Drawn AC	Date Feb 2015
Checked	File

Matthew Gladstone, Interim Executive Director  
 Development, Environment and Culture  
 Directorate  
 Westgate Plaza One, Westgate  
 Barnsley, S70 2DR  
 Tel. (01226) 770770 Fax. (01226) 772222  
 Drawing No.  
 HD/A6133.278/1100/2



Street Lighting Arrangement

- Denotes 12M galvanised steel column with OrangeTek Arialed 140 LED post top Lantern c/w electronic PEC.
- Denotes existing column to have new Orangetek Arialed 110 Led lantern c/w electronic PEC.
- Denotes existing column to be removed

All materials to comply fully with current BMBC Street Lighting Specification.

It is the responsibility of the developer to advise their clients of the location of street lighting columns relative to their property and to programme column installation works commensurate with property occupation. Column positions may be adjusted slightly to suit site conditions and services, but must not normally be erected within 500mm of defined driveway boundaries. BMBC will not enter into third party discussion on column positions, any such discussions will be carried out between BMBC and the developer.

The street lighting columns and lanterns and their maintenance remain the responsibility of the developer until completion of the adoption process.

All lighting columns are to be provided with an unmetered single phase electricity supply via the REC cable network. It is expected that the developer will coordinate with the REC regarding the installation of any cable ducts they may require.

*Signature*  
*Signature*

© Crown copyright and database rights [2014]. Ordnance Survey licence number 100022264

*D.H.J.*

**BARNSLEY**  
Metropolitan Borough Council  
Development Programme Area  
(Street Lighting Section)

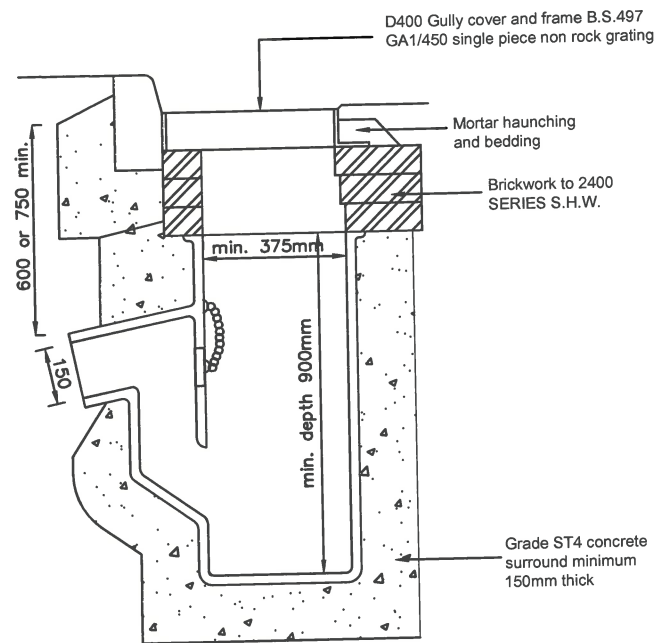
**Broadway / Kingstone School Site 278 works**  
**Street Lighting Arrangement**

By	No.	Date	Amendments

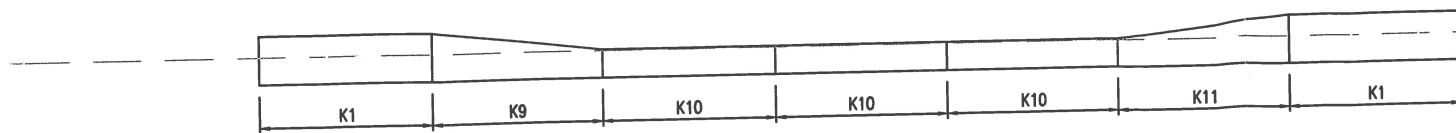
Scale <b>1:1000</b>	
Drawn <b>MJK</b>	Date Sept 14
Checked	File 848

Paul Castle  
Assistant Director  
Engineering Services  
Smithies Lane Depot  
Barnsley S71 1NL

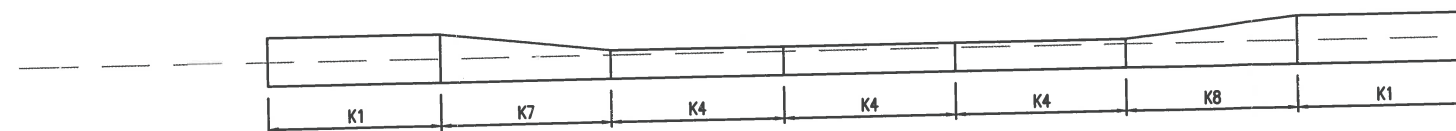
Drawing No.  
Tr.6.12.1/848



**ROAD GULLY**  
SCALE 1:20



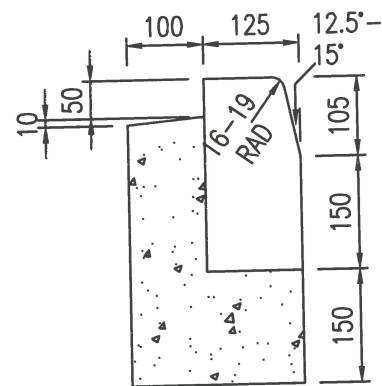
**PEDESTRIAN CROSSING (PC)**  
NOT TO SCALE



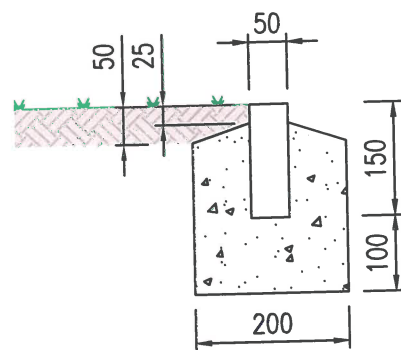
**VEHICULAR CROSSING (VC)**  
NOT TO SCALE

*[Handwritten signature]*

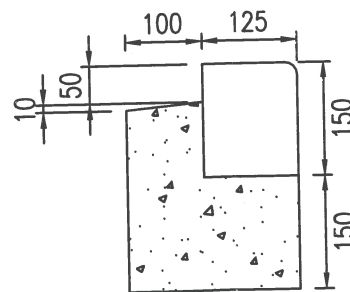
*Gangul*  
*Befury*  
*[Handwritten signature]*



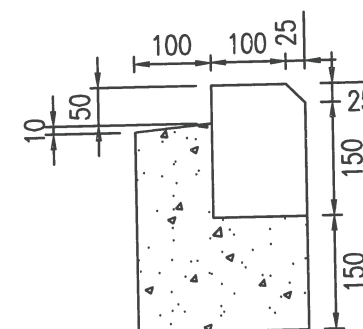
**K1 KERB**  
SCALE 1:10



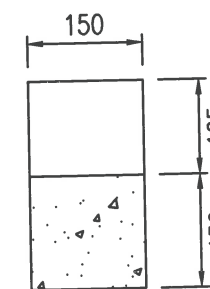
**E1 EDGING**  
SCALE 1:10



**K10 KERB**  
SCALE 1:10



**K4 KERB**  
SCALE 1:10



**C4 CHANNEL**  
SCALE 1:10

*[Handwritten signature]*

COMPUTER FILE NAME



Construction Details  
S78 Works – Kingstone School Site

Scale As Shown	
Drawn AC	Date Sep 14
Checked	File FILE

Matthew Gladstone, Interim Executive Director,  
Development, Environment and Culture Directorate  
Westgate Plaza One, Westgate  
Barnsley, S70 2DR  
Tel. (01226) 770770 Fax. (01226) 772222  
Drawing No.  
HD/A6133.278/Details



- Legend**
- PS/500 Stainless steel pedestrian crossing road studs. See Standard Detail TM/SD/25 Rev. C for details.
  - WL/1001.3 8no. zig-zag markings @ 2.0m in length, 100mm wide, 600mm long, 200mm wide terminal lines.
  - WL/1004/100 Intermittent white line comprising 4000mm line, 2000mm gap, 100mm wide.
  - WL/1040/150 Hatching comprising 400mm (min.) in length, 150mm wide hatching @ 3m; bounded by intermittent white line, 4000mm long, 2000mm gap, 100mm wide.
  - WL/1040.2/150 Hatching comprising 400mm (min.) in length, 150mm wide hatching @ 3m; bounded by intermittent white line, 4000mm long, 2000mm gap, 100mm wide.
  - WL/1009/100 Intermittent white line comprising 600mm line, 300mm gap, 100mm wide.
  - WA/1038/4000 White arrow, 4000mm in length. Direction of arrow head as shown.
  - WL/1003/200 2no. Intermittent white lines (300mm apart) comprising 800mm line, 300mm gap, 200mm wide
  - WL/1040.4/150 Hatching comprising 400mm (min.) in length, 150mm wide hatching @ 3m; bounded by intermittent white line 4000mm long, 2000mm gap, 100mm wide.
  - WL/1041/150 Hatching comprising 400mm (min.) in length, 150mm wide hatching @ 3m; bounded by intermittent white line, 4000mm long, 2000mm gap, 100mm wide.
  - YL/1018.1/75 2no. continuous yellow lines, 75mm wide with 75mm gap. End bars to be supplied at locations shown on plan.
  - YL/1020.1/250 2no. kerb blips in yellow rubberised paint, 250mm long, 100mm wide with a 100mm gap. Marking to be applied from top of kerb.
  - Red high friction surfacing to be applied between pedestrian road studs.

- Notes**
1. All works to be carried out in accordance with the BMBC Standard Details (Traffic Signal Schemes) and Specifications.
  2. Stop lines to be positioned 2.5m from pedestrian road studs.
  3. This drawing is to be read in conjunction with all other issued contract drawings.
  4. For setting out details, or if in doubt, please contact Daniel Ellis on (01226) 787643.

*Handwritten signature in blue ink.*

Based upon Ordnance Survey Digital Mapping with permission of the Controller of Her Majesty's Stationary Office.  
 CROWN COPYRIGHT RESERVED  
 Unauthorised reproduction infringes Crown Copyright and may lead to prosecution or civil proceedings  
 Licence No.: 100022264

*Handwritten signature in blue ink.*

Rev.	By	Amendments	Date

**BARNLSLEY**  
 Metropolitan Borough Council

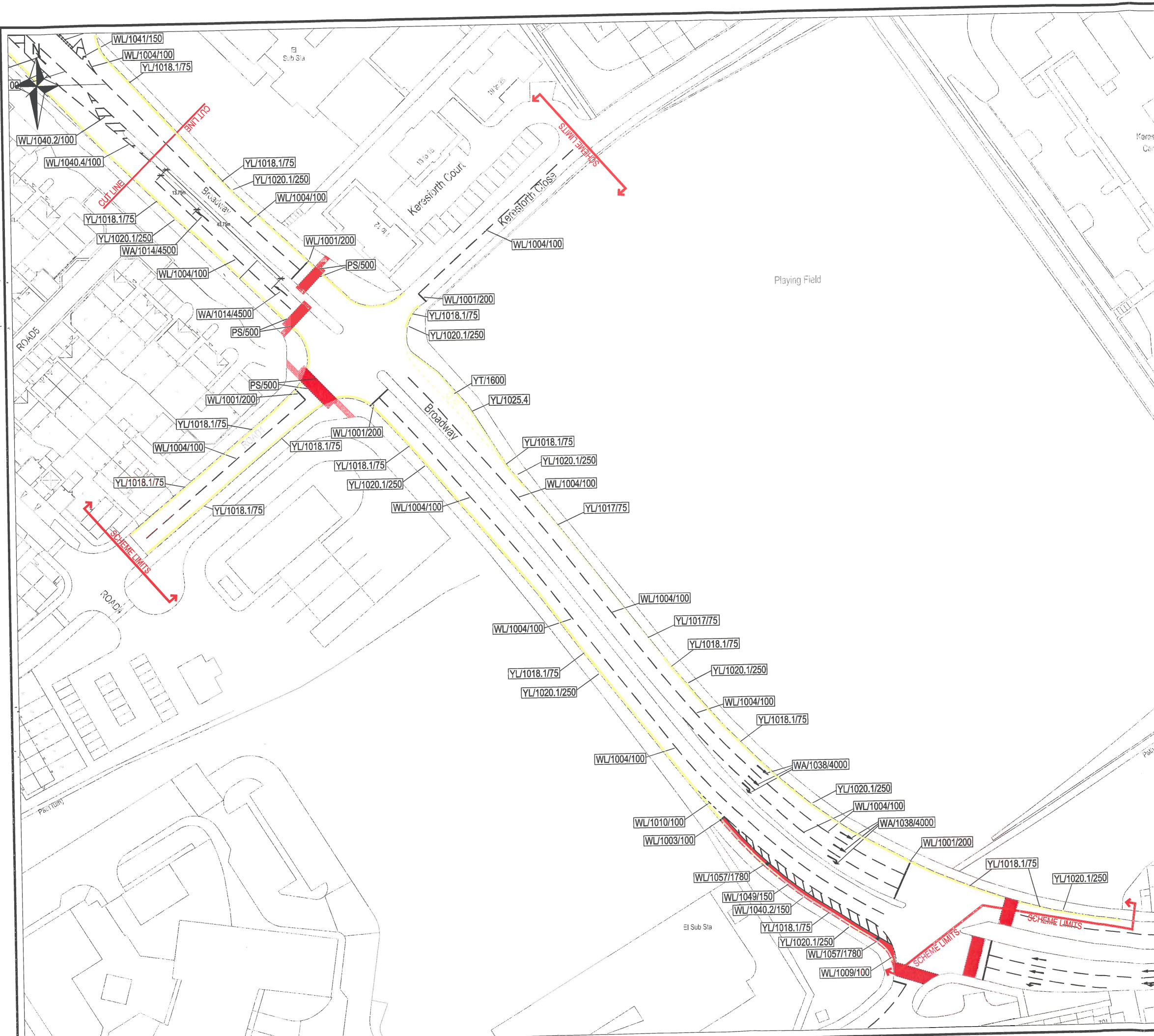
Project  
 Broadway, Barnsley

Drawing title  
 Lining Design

Scale	Drawn	Checked	Date
As Shown	D. Ellis		Oct. 2014

Drawing No.	File
TR/3700/01 (Lining Design) (1/2)	TR3700

Dave Pownall B.Eng, C.Eng, M.I.C.E., F.C.I.H.T  
 Head of Highways, Engineering and Transportation  
 Highways & Engineering  
 PO Box 601, Barnsley, S70 9FA  
 Tel. (01226) 773555 Fax. (01226) 772110



- Legend**
- PS/500 Stainless steel pedestrian crossing road studs. See Standard Detail TM/SD/25 Rev. C for details.
  - WL/1004/100 Intermittent white line comprising 4000mm line, 200mm gap, 100mm wide.
  - WA/1038/4000 White arrow, 4000mm in length. Direction of arrow head as shown.
  - WA/1014/4500 White arrow, 4500mm in length. Distance from end of centre line shown.
  - WL/1001/200 Continuous white line, 200mm wide. Line to be 2.5m from pedestrian crossing road studs.
  - YT/1600 Yellow 'BUS STOP' text, 1600mm high with 1000mm gap between.
  - YL/1025.4 Intermittent yellow line comprising 1000mm line, 1000mm gap, 100mm wide. Edge of carriageway marking to be continuous yellow line, 200mm wide.
  - WL/1010/100 Intermittent white line comprising 1000mm line, 1000mm gap, 100mm wide.
  - WL/1049/150 Continuous white line, 150mm wide.
  - WL/1057/1780 Cycle lane symbol, 1780mm high, 1100mm wide.
  - WL/1003/100 2no. Intermittent white lines (150mm apart) comprising 300mm line, 150mm gap, 100mm wide.
  - YL/1018.1/75 2no. continuous yellow lines, 75mm wide with 75mm gap. End bars to be supplied at locations shown on plan.
  - YL/1020.1/250 2no. kerb blips in yellow rubberised paint, 250mm long, 100m wide with a 100mm gap. Marking to be applied from top of kerb.
- Red high friction surfacing to be applied between pedestrian road studs.

- Notes**
1. All works to be carried out in accordance with the BMBC Standard Details (Traffic Signal Schemes) and Specifications.
  2. Stop lines to be positioned 2.5m from pedestrian road studs.
  3. This drawing is to be read in conjunction with all other issued contract drawings.
  4. For setting out details, or if in doubt, please contact Daniel Ellis on (01226) 787643.

*Handwritten signatures in blue ink:*

*[Signature]*

*[Signature]*

*Handwritten signature in blue ink:*

*Gangli*

Based upon Ordnance Survey Digital Mapping with permission of the Controller of Her Majesty's Stationary Office.  
 CROWN COPYRIGHT RESERVED  
 Unauthorised reproduction infringes Crown Copyright and may lead to prosecution or civil proceedings  
 Licence No.: 100022264

Rev.	By	Amendments	Date

**BARNLSLEY**  
 Metropolitan Borough Council

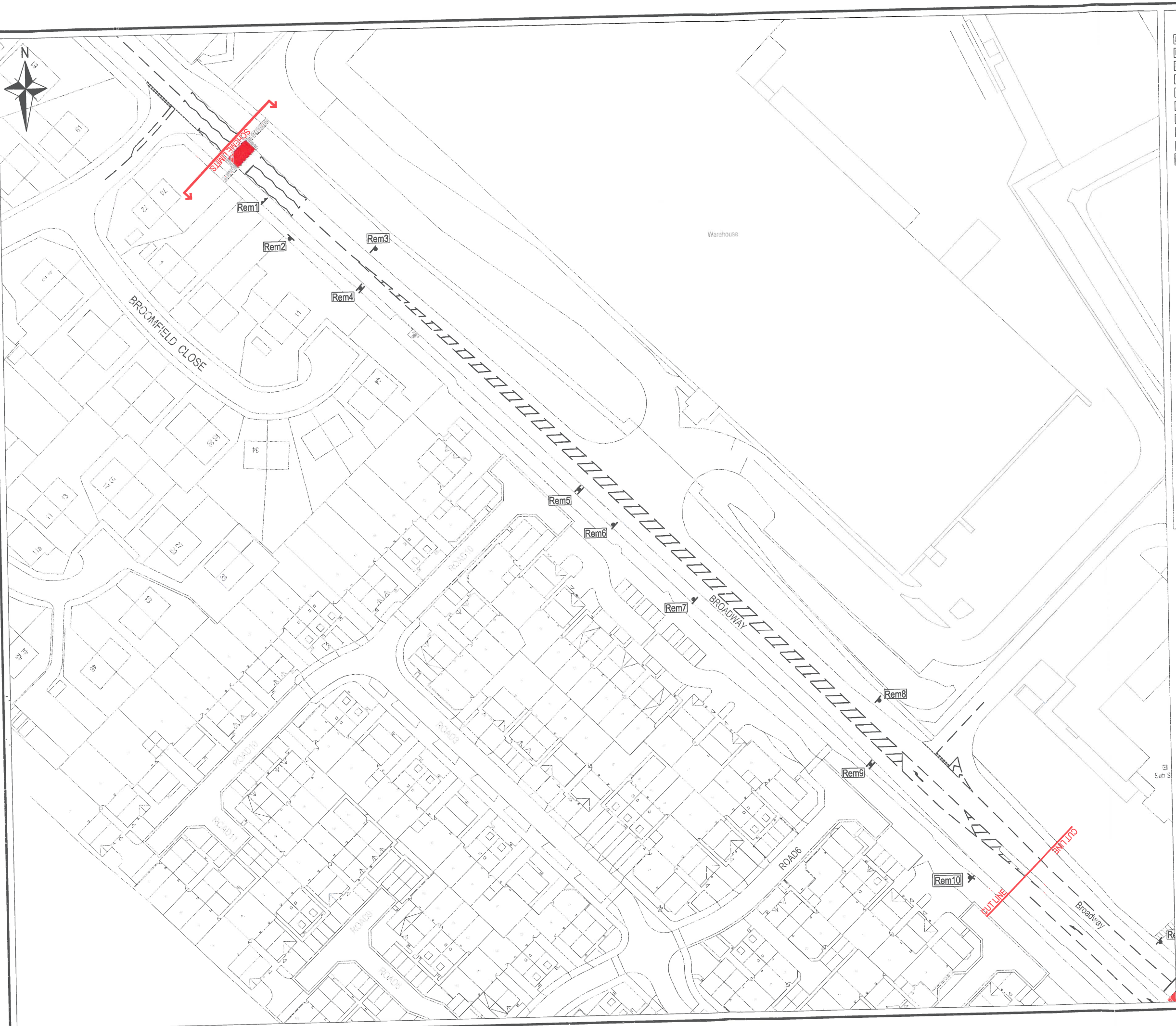
Project  
 Broadway, Barnsley

Drawing title  
 Lining Design

Scale	Drawn	Checked	Date
As Shown	D. Ellis		Oct. 2014

Drawing No.  
 TR/3700/01 (Lining Design) (2/2)  
 TR/3700

Dave Pownall B.Eng, C.Eng, M.I.C.E, F.C.I.H.T  
 Head of Highways, Engineering and Transportation  
 Highways & Engineering  
 PO Box 601, Barnsley, S70 9FA  
 Tel. (01226) 773555 Fax. (01226) 772110



- Legend**
- Rem1 Remove 1no. sign and 1no. post and dispose to tip off site.
  - Rem2 Remove 1no. sign and 2no. post and dispose to tip off site.
  - Rem3 Remove 1no. sign and 1no. post and dispose to tip off site.
  - Rem4 Remove 2no. signs and 1no. post and dispose to tip off site.
  - Rem5 Remove 2no. signs from Lighting Column and dispose to tip off site.
  - Rem6 Remove 1no. sign and 1no. post and dispose to tip off site.
  - Rem7 Remove 1no. sign and 1no. post and dispose to tip off site.
  - Rem8 Remove 1no. sign from Lighting Column and dispose to tip off site.
  - Rem9 Remove 2no. signs and 1no. post and dispose to tip off site.
  - Rem10 Remove 2no. signs and 1no. lighting unit from Lighting Column and dispose to tip off site. De-service electrical supply.

- Notes**
1. All works to be carried out in accordance with the BMBC Standard Details (Traffic Signal Schemes) and Specifications.
  2. This drawing is to be read in conjunction with all other issued contract drawings.
  3. Scheme contact: Daniel Ellis (01226) 787643.

*Handwritten signatures in blue ink:*  
 [Signature 1]  
 [Signature 2]  
 [Signature 3]

Based upon Ordnance Survey Digital Mapping with permission of the Controller of Her Majesty's Stationery Office.  
 CROWN COPYRIGHT RESERVED  
 Unauthorised reproduction infringes Crown Copyright and may lead to prosecution or civil proceedings  
 Licence No.: 100022264

Rev.	By	Amendments	Date

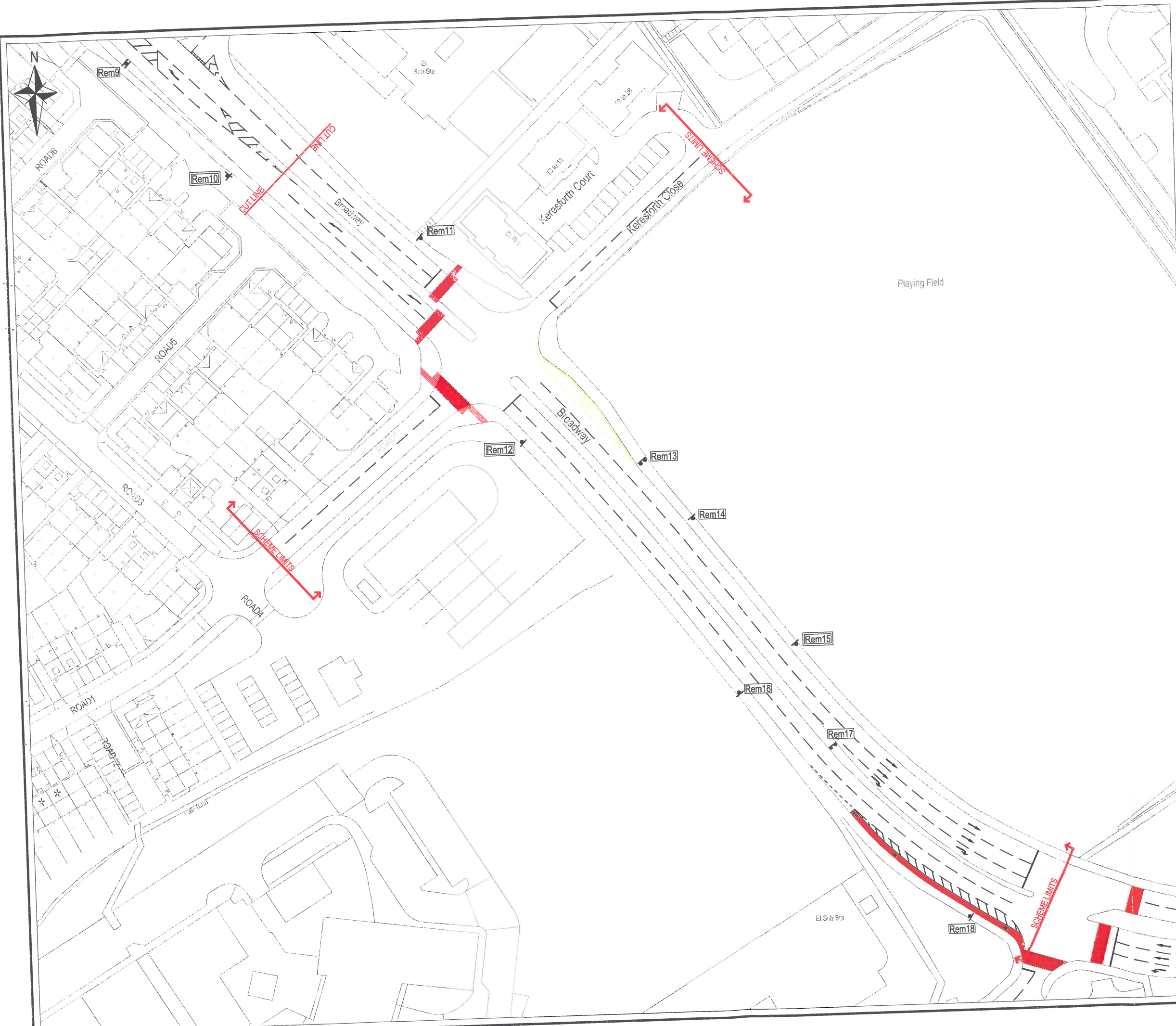


Project  
 Broadway, Barnsley

Drawing title  
 Signing Site Clearance

Scale As Shown	Drawn D. Ellis	Checked	Date Oct. 2014
Drawing No. TR/3700/02 (Signing - Site Clearance) (1/2)	File TR/3700		

Dave Pownall B.Eng, C.Eng, M.I.C.E, F.C.I.H.T  
 Head of Highways, Engineering and Transportation  
 Highways & Engineering  
 PO Box 601, Barnsley, S70 9FA  
 Tel. (01226) 773555 Fax. (01226) 772110



- Legend**
- Rem11** Remove 1no. sign from Lighting Column and dispose to tip off site.
  - Rem12** Remove 1no. sign, 1no. lighting unit and 1no. post and dispose to tip off site. De-service electrical supply.
  - Rem13** Remove 1no. sign and 1no. post (attached to lighting column) and dispose to tip off site
  - Rem14** Remove 1no. sign from Lighting Column and dispose to tip off site
  - Rem15** Remove 2no. signs, 1no. lighting unit, 1no. post and dispose to tip off site. De-service electrical supply.
  - Rem16** Remove 1no. sign from Lighting Column and dispose to tip off site.
  - Rem17** Remove 2 no. signs and 2no. posts and dispose to tip off site.
  - Rem18** Remove 1no. sign from Lighting Column and dispose to tip off site.
- Notes**
1. All works to be carried out in accordance with the BMBC Standard Details (Traffic Signal Schemes) and Specifications.
  2. This drawing is to be read in conjunction with all other issued contract drawings.
  3. Scheme contact: Daniel Ellis (01226) 787643.

*Gang...*  
*Bel...*  
*[Signature]*

Based upon Ordnance Survey Digital Mapping with permission of the Controller of Her Majesty's Stationery Office.  
 CROWN COPYRIGHT RESERVED  
 Unauthorised reproduction infringes Crown Copyright and may lead to prosecution or civil proceedings  
 Licence No.: 100022264

Rev.	By	Amendments	Date

*DHS*

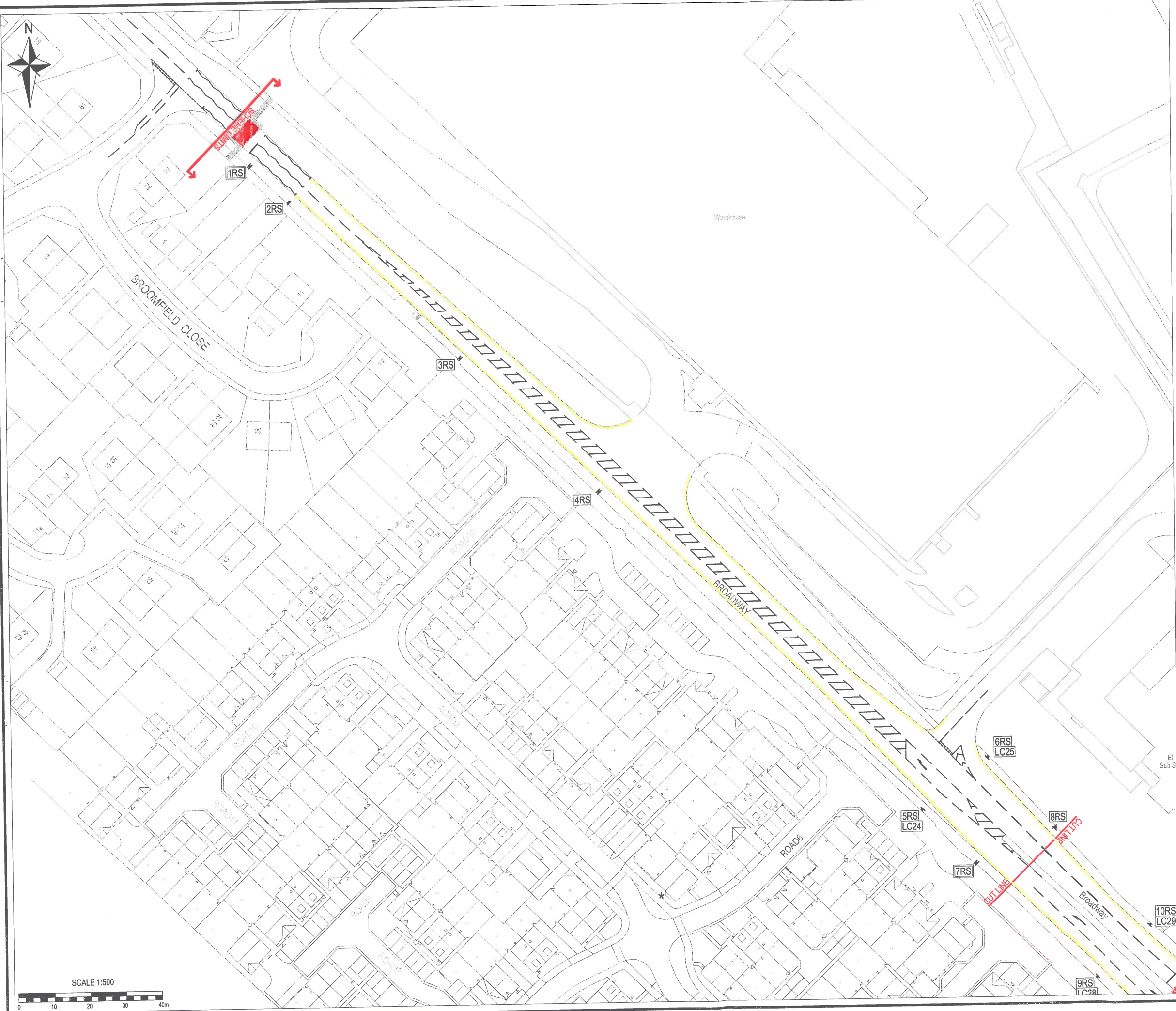


Project: **Broadway, Barnsley**

Drawing title: **Signing Site Clearance**

Scale: As Shown	Drawn: D. Ellis	Checked:	Date: Oct. 2014
Drawing No.:	TR/3700/02 (Signing - Site Clearance) (2/2)		File: TR/3700

**Dave Pownall** B.Eng, C.Eng, M.I.C.E, F.C.I.H.T  
 Head of Highways, Engineering and Transportation  
 Highways & Engineering  
 PO Box 601, Barnsley, S70 9FA  
 Tel. (01226) 773555 Fax. (01226) 772110



- Notes**
1. All works to be carried out in accordance with the BMBC Standard Details (Traffic Signal Schemes) and Specifications.
  2. This drawing is to be read in conjunction with all other issued contract drawings. Refer to sign schedules for sign/post details. Refer to supplied Appendix 12/1 for signing specifications.
  3. Scheme contact: Daniel Ellis (01226) 787643.

*Gang K*  
*Befury*  
*P*

*11/10*

Based upon Ordnance Survey Digital Mapping with permission of the Controller of Her Majesty's Stationary Office.  
 CROWN COPYRIGHT RESERVED  
 Unauthorised reproduction infringes Crown Copyright and may lead to prosecution or civil proceedings  
 Licence No.: 100022264

Rev.	By	Amendments	Date



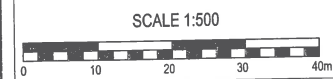
Project  
 Broadway, Barnsley

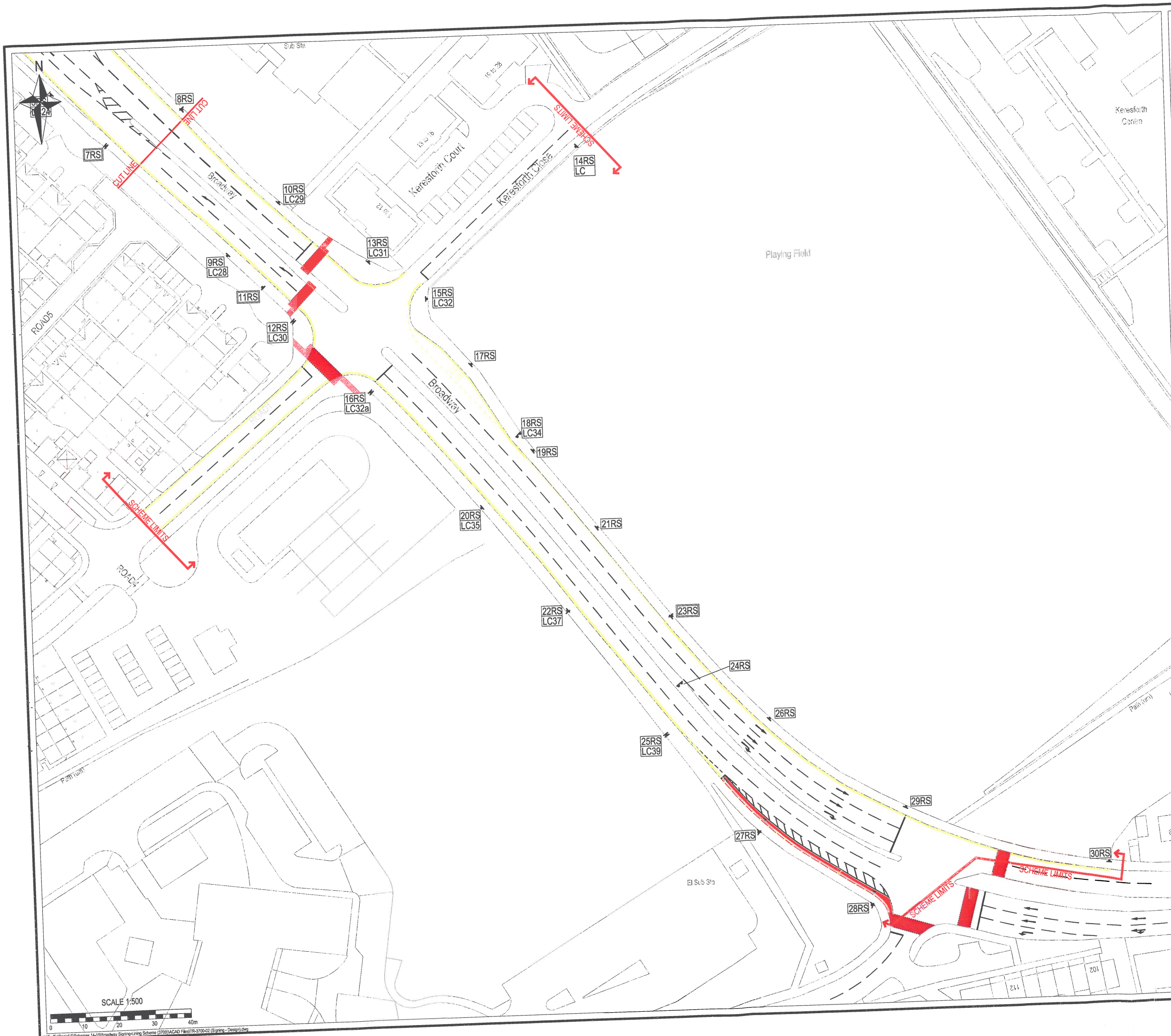
Drawing title  
 Signing Design

Scale	Drawn	Checked	Date
As Shown	D. Ellis		Oct, 2014

Drawing No.  
 TR/3700/03 (Signing - Design) (1/2)

Dave Pownall B.Eng, C.Eng, M.I.C.E, F.C.I.H.T  
 Head of Highways, Engineering and Transportation  
 Highways & Engineering  
 PO Box 601, Barnsley, S70 9FA  
 Tel. (01226) 773555 Fax. (01226) 772110





- Notes**
1. All works to be carried out in accordance with the BMBC Standard Details (Traffic Signal Schemes) and Specifications.
  2. This drawing is to be read in conjunction with all other issued contract drawings. Refer to sign schedules for sign/post details. Refer to supplied Appendix 12/1 for signing specifications.
  3. Scheme contact: Daniel Ellis (01226) 787643.

*Gayke*  
*Refuge*  
*Ph...*

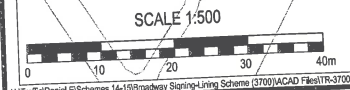
Based upon Ordnance Survey Digital Mapping with permission of the Controller of Her Majesty's Stationery Office.  
 CROWN COPYRIGHT RESERVED  
 Unauthorised reproduction infringes Crown Copyright and may lead to prosecution or civil proceedings  
 Licence No.: 100022264

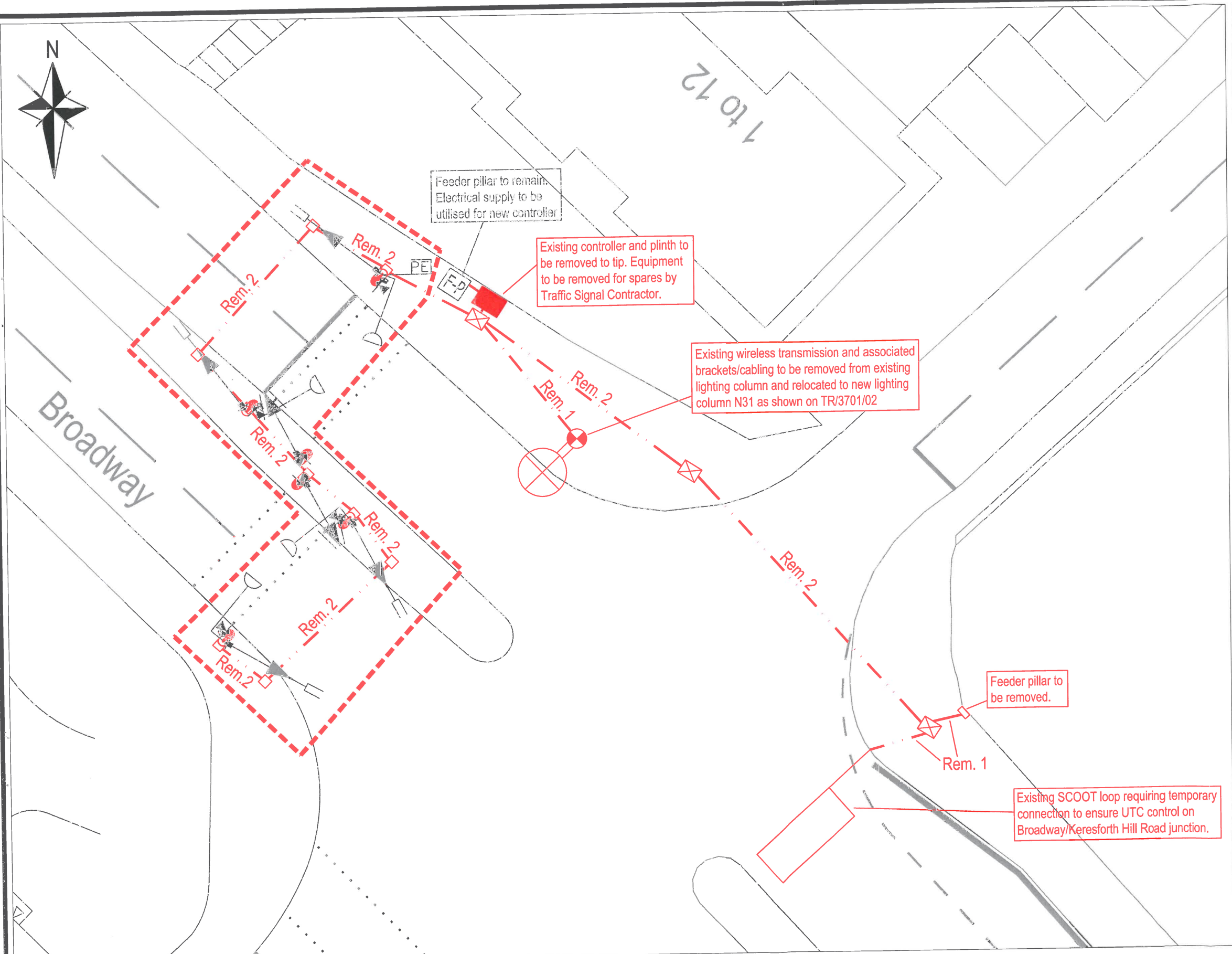
Rev.	By	Amendments	Date





**BARNLSLEY**  
 Metropolitan Borough Council

Project Broadway, Bamsley			
Drawing title Signing Design			
Scale As Shown	Drawn D. Ellis	Checked	Date Oct. 2014
Drawing No. TR/3700/03 (Signing - Design) (2/2)			File TR3700

Dave Pownall B.Eng, C.Eng, M.I.C.E, F.C.I.H.T  
 Head of Highways, Engineering and Transportation  
 Highways & Engineering  
 PO Box 601, Bamsley, S70 9FA  
 Tel. (01226) 773555 Fax. (01226) 772110





- Key**
-  Existing signal pole to be removed
  -  Existing chamber to be removed
  -  Existing ducting to be abandoned (removed if necessary)
  -  All traffic signal equipment to be removed to tip.
- Notes**
1. All works to be carried out in accordance with the BMBC Standard Details (Traffic Signal Schemes) and Specifications.
  2. Operational Services are responsible for the removal of all existing signal equipment to tip off site. Liaison is required with Traffic Signal Contractor for the removal of spare parts/equipment prior to equipment being disposed of. Any equipment which can be reused for spares should be taken to store by a Siemens Field Engineer.
  3. This drawing is to be read in conjunction with all other issued contract drawings.
  4. Scheme contact: Daniel Ellis (01226) 787643.

*Handwritten signatures in blue ink:*  
 [Signature 1]  
 [Signature 2]  
 [Signature 3]  
 [Signature 4]

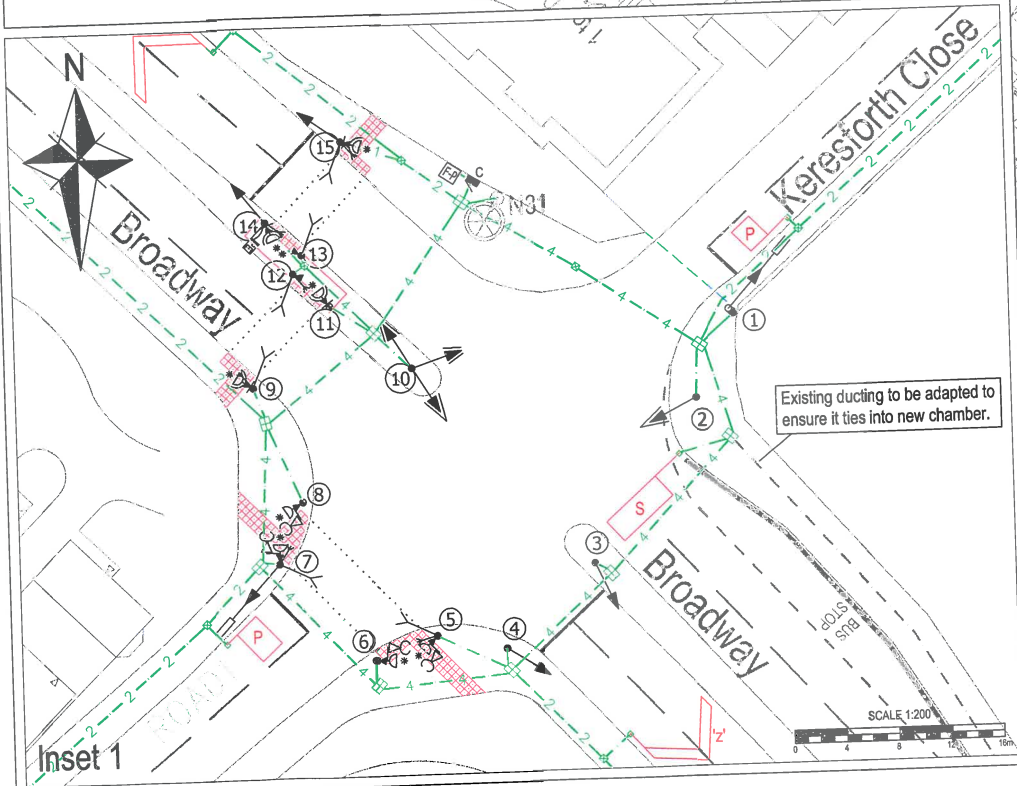
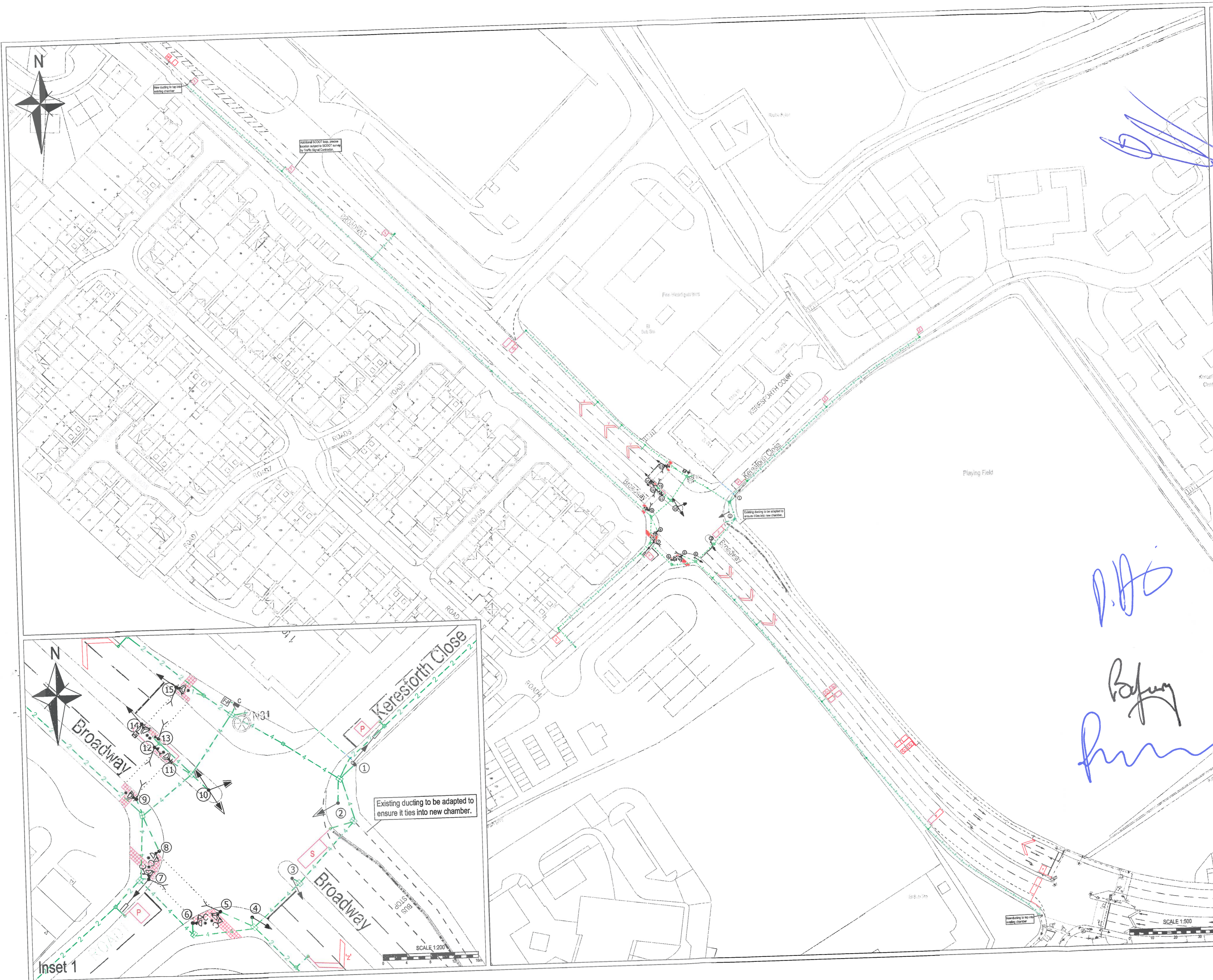
Based upon Ordnance Survey Digital Mapping with permission of the Controller of Her Majesty's Stationery Office.  
 CROWN COPYRIGHT RESERVED  
 Unauthorised reproduction infringes Crown Copyright and may lead to prosecution or civil proceedings  
 Licence No.: 100022264

H:\Traffic\Signals\S278 Developments\Kingstone School Site Broadway (3701)\ACAD Drawings\TR-3701-01 (Site Clearance).dwg



**Broadway, Barnsley**  
**Traffic Signals - Site Clearance**

Scale N.T.S		Dave Pownall B.Eng, C.Eng, M.I.C.E, F.C.I.H.T Head of Highways, Engineering and Transportation Highways & Engineering PO Box 601, Barnsley, S70 9FA Tel. (01226) 773555 Fax. (01226) 772110 Drawing No. TR/3701/01 (Site Clearance)
Drawn D. Ellis	Date Oct. 2014	
Checked	File TR/3701	



- Key**
- Standard straight pole in black, no slots - in NAL Pole Retention Socket
  - Slab pole in black, no slots - in NAL Pole Retention Socket
  - Standard base swan necked signal pole (pedestrian cross) - in NAL Pole Retention Socket
  - 3 aspect, ELV LED, RWAG Primary signal head, incl. fittings and brackets
  - 3 aspect, ELV LED, RWAG Secondary signal head, incl. fittings and brackets
  - 3 aspect, ELV LED, RWAG Secondary signal head, incl. fittings and brackets, with 350mm deep cowt.
  - ⊕ ELV LED, Combined nearside RVG main indicator with push button facility (including tactile indicator), incl. all fittings, for use on Pedestrian Crossing
  - ⊕ ELV LED, Combined nearside RVG main indicator with push button facility (including tactile indicator), incl. all fittings, for use on Toucan Crossing
  - ⊕ ELV LED, Pedestrian demand unit only (including tactile indicator) incl. all fittings
  - ⊕ Above ground vehicle detector - Standard microwave vehicle detector (MVD)
  - ⊕ Above ground pedestrian detector (ped-crossing)
  - ⊕ Above ground pedestrian detector (kerb-side)
  - ⊕ Photo electric cell
  - ⊕ Access chamber, specified design group ACT1400 with anti-slip cover and frame
  - ⊕ Access chamber, specified design group ACT1900 with anti-slip cover and frame
  - ⊕ NAL detector loop access unit
  - 1 New 1no. polyethylene 100mm duct
  - 2 New 2no. polyethylene 100mm duct
  - 3 New 3no. polyethylene 100mm duct
  - 4 New 4no. polyethylene 100mm duct
  - ⊕ Existing controller to be removed from 12th to Barnsley MBC Traffic Group and replaced with new ST500 ELV controller (installed on new pole) with UPMC OTU UG405, black in colour. Existing Network Class Switch and wireless communication cable to be reused from existing and re-terminated for new controller. (See notes below). Communication works to take place as shown on drawing TR3701/04.
  - ⊕ Paint existing Electrical Isolation Pole black. Existing electrical supply to be utilised.
  - ⊕ Speed Loop @ approx. 150m from Stop line. Subject to SCOOT survey, as detailed in Note 10.
  - ⊕ Presence Loop @ 2m from Stop line
  - ⊕ Speed Discrimination loops @ 75m from Stop line
  - ⊕ System D loops (x, y, z), spaced @ 12m, 25m and 20m from Stop line
  - ⊕ Stainless Steel road studs with serrated faces to Disp. No. 1055.1 @ 500mm centres

- Notes**
1. All works to be carried out in accordance with the BMBC Standard Details (Traffic Signal Schemes) and Specifications.
  2. Principal Contractor to be responsible for the removal of all existing signal equipment to top of site. Liaison is required with Traffic Signal Contractor for the removal of spare parts/equipment prior to equipment being disposed of. Any equipment which can be reused for spares should be taken to store by a Siemens Field Engineer.
  3. All poles to be slotted (black in colour), compatible with and installed in NAL retention socket model No. R51152/400. NAL socket not to be cut down without prior agreement from BMBC Traffic Signals Engineer.
  4. Principal Contractor to ensure poles are vertical when tightened up. No tolerance will be permitted otherwise replacement of NAL retention socket and foundation will be required.
  5. Pedestrian Demand/Nearside Indicator Units to be mounted so from ground level to center of push button is 1.0-1.1 metres. No variation from this tolerance will be permitted otherwise replacement of the pole will be required.
  6. Where slab poles are out down to size, the top of Pedestrian Demand Unit/Nearside Pedestrian Indicator is to be flush with the top of pole. No access will be permitted otherwise replacement of the pole will be required.
  7. All LED ELV equipment to be fully monitored by signal controller.
  8. Existing communication connection (via wireless transmitter/receiver optic cable) to existing signal controller to be utilised, and re-configured for new controller. Existing network switch in Controller to be transferred to new controller.
  9. The new junction Controller, existing Toucan crossing at Broadway/Hooded Drive, the junction of Broadway/Keresforth Hill Road and junction of Broadway/Racecommon Road are to work in coordination/conjunction with each other under SCOOT control with fallback facilities to CLF (or other suitable protocol) in the event of loss of communications. Control strategy provisions also to be incorporated to deal with excessive traffic/abnormal events etc. Drawing no. TR3701/05 (Junction Overview) shows their relative locations.
  10. SCOOT loop locations are indicative. Precise locations to be confirmed upon completion of loop survey by Traffic Signals Contractor.
  11. The contractor is to ensure that a sign to Diagram 7014 of the Traffic Signs Regulation and General Directions is placed as shown on TR3701/03. The sign should be in place upon the signals being commissioned and be removed after a period of no later than 28 days from the signal being activated.
  12. Road studs to be placed and loops to be out in good quality wearing course only.
  13. This drawing is to be read in conjunction with all other issued contract drawings.
  14. Scheme contact: Daniel Ellis (01228) 787643.

Based upon Ordnance Survey Digital Mapping with permission of the Controller of Her Majesty's Stationery Office.  
 CROWN COPYRIGHT RESERVED  
 Unauthorised reproduction infringes Crown Copyright and may lead to prosecution or civil proceedings  
 Licence No.: 100022294

Rev.	By	Amendments	Date

**BARNSELY**  
Metropolitan Borough Council

Project: Broadway, Barnsley

Drawing title: Traffic Signal Design Proposals

Scale: As Shown

Drawn: D. Ellis

Created: Oct. 2014

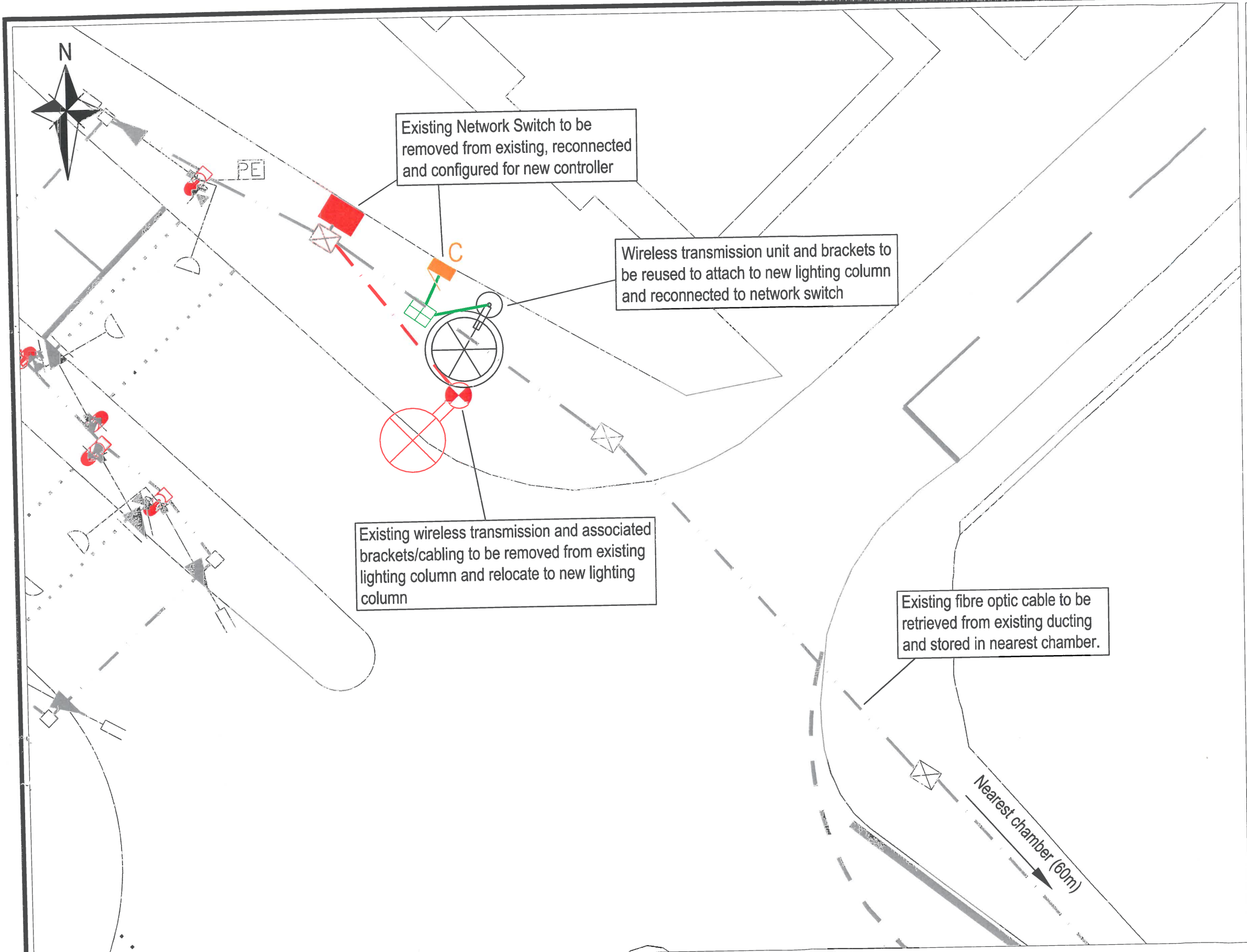
Drawing No.: TR3701/02 (Traffic Signal Design) TR3701

Dave Pownall B.Eng, C.Eng, M.I.C.E, F.C.I.H.T  
 Head of Highways, Engineering and Transportation  
 Highways & Engineering  
 PO Box 601, Barnsley, S70 9FA  
 Tel. (01228) 773555 Fax. (01228) 772110

*D. Ellis*

*B. Pownall*

6/2/12



**Notes**

1. All works to be carried out in accordance with the BMBC Standard Details (Traffic Signal Schemes) and Specifications.
2. This drawing is to be read in conjunction with all other issued contract drawings.
3. Scheme contact: Daniel Ellis (01226) 787643.

*Ganghu*

*Rafiq*

*Pun*

*D. Ellis*

Based upon Ordnance Survey Digital Mapping with permission of the Controller of Her Majesty's Stationery Office.  
 CROWN COPYRIGHT RESERVED  
 Unauthorised reproduction infringes Crown Copyright and may lead to prosecution or civil proceedings  
 Licence No.: 10002264

H:\Traffic\Signals\S278 Developments\Kingstone School Site Broadway (3701)\ACAD Drawings\TR-3701-04 (Communication Works).dwg



Broadway, Barnsley  
 Communication Works

Scale	
N.T.S	
Drawn	Date
D. Ellis	Oct. 2014
Checked	File
	TR/3701

Dave Pownall B.Eng, C.Eng, M.I.C.E, F.C.I.H.T  
 Head of Highways, Engineering and Transportation  
 Highways & Engineering  
 PO Box 601, Barnsley, S70 9FA  
 Tel. (01226) 773555 Fax. (01226) 772110  
 Drawing No. TR/3701/04 (Communication Works)

