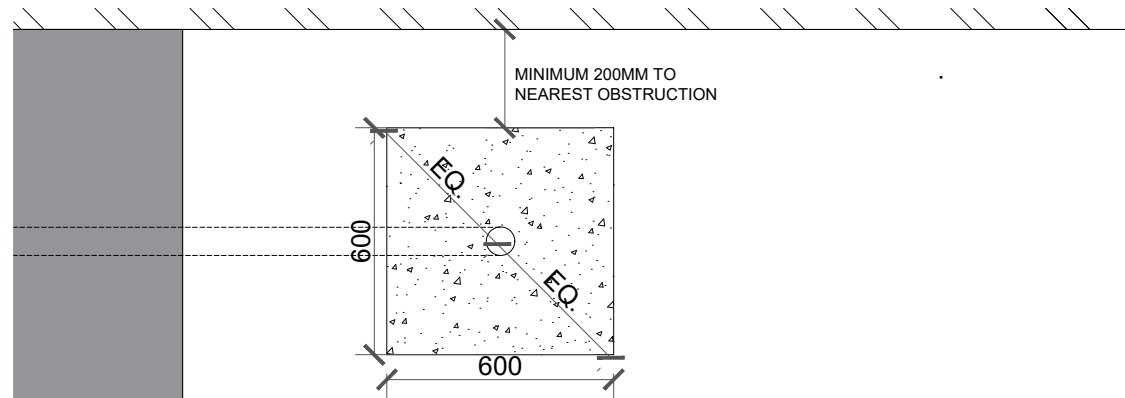
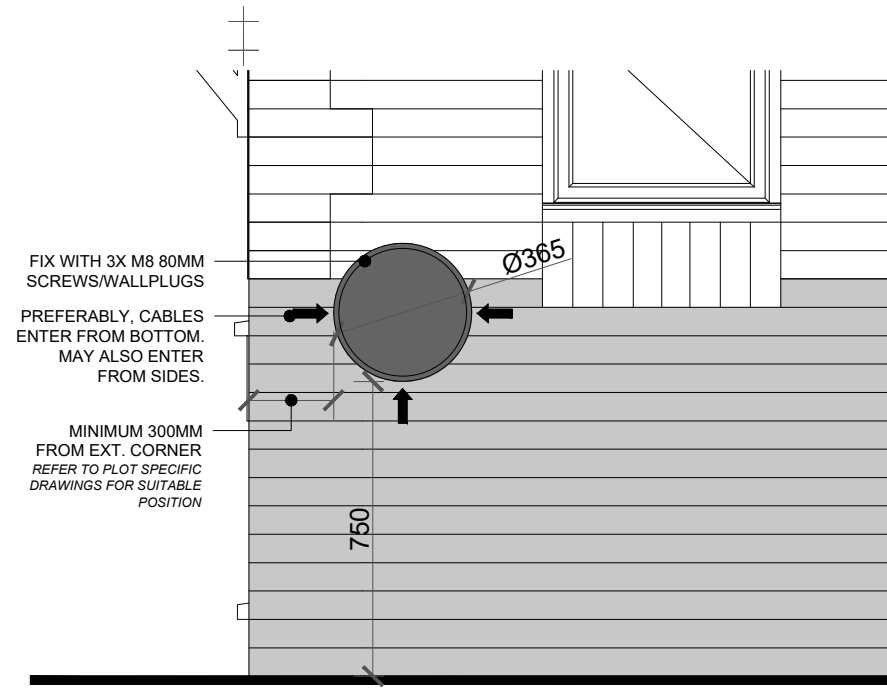


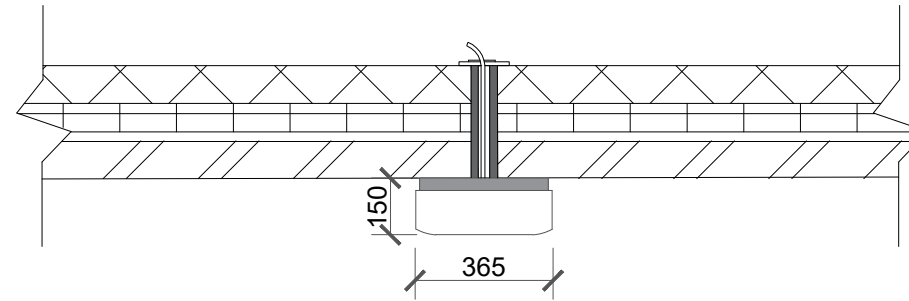
FREE-STANDING E.V. CHARGER MOUNT (SECTION)



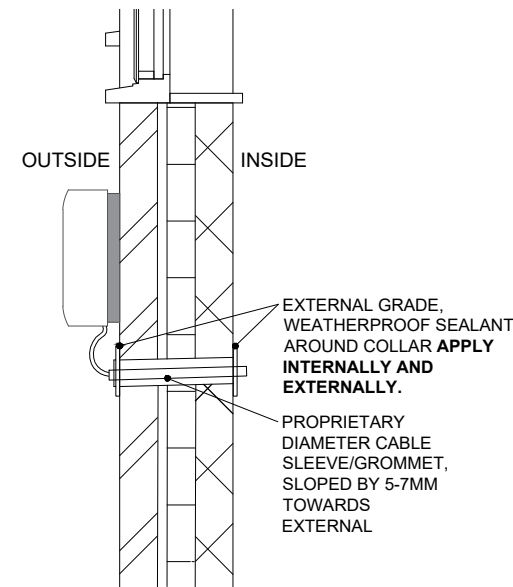
FREE-STANDING E.V. CHARGER MOUNT (PLAN)



WALL-MOUNTED E.V. CHARGER (ELEVATION)



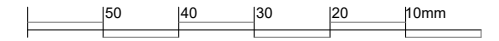
WALL-MOUNTED E.V. CHARGER B.W.I.C (PLAN-SECTION)



WALL-MOUNTED E.V. CHARGER B.W.I.C (SECTION)

Notes:
 Sketch schemes may be based on plan information of unknown origin and is subject to verification and survey.
 Contractors must verify all dimensions on site before commencing any work or shop drawings. This drawing is not to be scaled. Use figured dimensions only.
 Building areas are liable to adjustment over the course of the design process due to ongoing construction detailing developments.

Subject to statutory approvals and survey.



Notes:

- **Always refer to the manufacturers guidance, specifications and installation instructions.** If discrepancies between the details shown on this page and the manufacturers information occur, seek direction from Group Technical.
- E.V = Electric Vehicle
- Details are based on use of PodPoint Solo. Where alternate EVCPs are used, seek direction from Regional Technical.
- Details should be reviewed alongside the general arrangement drawings from the house type specific working drawing pack.
- Further technical information is available in the Gleeson Standard Specification.

gleeson

A	Wall mounted unit height specified	11.01.21	AB
revisions	status	-	-
project	Non-Standard Details		
client	Gleeson Homes & Regeneration		
title	E.V Charging Point Installation Details		
drawn	AB	checked	DR
date	23.04.21	scale	1:20 @A3
job no	0282	drawing no	NSD251
		rev	A