

Approval/Technical Submittal Sheet

Contract:	Hermes Hoyland		
Reference No:	TS001 – External Lighting – P4	Required Response Date:	05/05/2021
Company:	EBM Electrical Services Ltd	Actual Response Date:	

Contractor Submission

Issued By:	Steven Mildren	Date:	19/04/2021
Issued To:	Tisha-Anne Mclean	Company:	Winvic Construction Ltd

Please see enclosed information and technical information relating to external lighting.

Luminaire Schedule

Type	Qty	Manufacturer	Product	Mounting Height	Mounting
A	10	Kingfisher Lighting	60W LED Viva City Pro FW70	10M	Column
C	7	Kingfisher Lighting	320W LED Zactis FW70	10M	Column
CW	32	Kingfisher Lighting	320W LED Zactis FW70	10M	Wall
D	41	Kingfisher Lighting	250W LED Zactis FW70	10M	Column
D2	1	Kingfisher Lighting	250W LED Zactis FW70	10M	Column (twin bracket)
D2BB	18	Kingfisher Lighting	250W LED Zactis FW70	10M	Column (back to back)
DW	7	Kingfisher Lighting	250W LED Zactis FW70	6.8/10M	Wall
E	4	Kingfisher Lighting	250W LED Zactis FW70	12M	Column
F	11	Kingfisher Lighting	40W LED Viva City Pro T4A	6M	Column
F2	19	Kingfisher Lighting	2 x 40W LED Viva City Pro T4A	6M	Column
G	2	Kingfisher Lighting	40W LED Viva City Pro T4A	6M	Column
HW	71	Kingfisher Lighting	50W Guardian Pro Flood	6M / 5.5M	Wall
J	19	Kingfisher Lighting	11.1W LED Semita Urban bulkhead	4M	Wall
A2	3	Kingfisher Lighting	60W LED Viva City Pro FW70	10M	Column (back to back)
L	3	Kingfisher Lighting	40W LED Viva City Pro FW70	3M	Column

Approval/Technical Submittal Sheet

Calculation Summary

As per Kingfisher Drawing D39882H

Calculation Summary							
Label	CalcType	Units	Avg	Max	Min	Min/Avg	Min/Max
Entrance	Illuminance	Lux	52.50	57	48	0.91	0.84
Fuel (Ref Only)	Illuminance	Lux	19.14	40	6	0.31	0.15
Entrance Service Road	Illuminance	Lux	20.28	79	5	0.25	0.06
Service Yard North East	Illuminance	Lux	27.22	64	11	0.40	0.17
Loading Bays North East	Illuminance	Lux	57.62	97	24	0.42	0.25
Disabled parking	Illuminance	Lux	13.90	43	5	0.36	0.12
Car Park North East	Illuminance	Lux	13.51	39	5	0.37	0.13
Lorry Park Access Road	Illuminance	Lux	39.68	68	15	0.38	0.22
Lorry and Car Parking South East	Illuminance	Lux	30.29	102	12	0.40	0.12
Lorry Parking North East	Illuminance	Lux	30.09	88	12	0.40	0.14
Service Yard North West	Illuminance	Lux	27.76	171	11	0.40	0.06
Loading Bay North West	Illuminance	Lux	74.81	178	30	0.40	0.17
Service Yard South West	Illuminance	Lux	24.24	72	10	0.41	0.14
Loading Bays South West	Illuminance	Lux	50.02	71	20	0.40	0.28
Staff Entrance and Walkways	Illuminance	Lux	50.30	74	25	0.50	0.34
Sprinklers	Illuminance	Lux	43.31	84	24	0.55	0.29
Cycle Racks	Illuminance	Lux	26.75	39	15	0.56	0.38
Security Gatehouse Entrance 1	Illuminance	Lux	51.67	57	48	0.93	0.84
Security Gatehouse Entrance 2	Illuminance	Lux	50.00	55	47	0.94	0.85
Break Out Area	Illuminance	Lux	19.35	43	11	0.57	0.26
Emergency Road Access	Illuminance	Lux	19.33	41	5	0.26	0.12
Extended Road	Illuminance	Lux	19.18	52	6	0.31	0.12
Foot Path	Illuminance	Lux	19.55	43	7	0.36	0.16
Foot Path 2	Illuminance	Lux	15.72	30	6	0.38	0.20
Foot Path 3	Illuminance	Lux	16.77	58	5	0.30	0.09
Gatehouse 1	Illuminance	Lux	50.96	81	21	0.41	0.26
Gatehouse 2	Illuminance	Lux	50.02	69	37	0.74	0.54
ObtrusiveLight_1_Ill_Seg1	Obtrusive - Ill	Lux	0.00	0	0	N.A.	N.A.
ObtrusiveLight_1_Cd_Seg1	Obtrusive - Cd	N.A.	33.74	63	23	0.68	0.37

Control

Lighting shall be controlled via an astronomical timeclock, with the ability to override. The timeclock will be housed adjacent to the external lighting distribution boards.

Design Team Review

Received By:		Date:	
Comments:			
Approved:			
Status:		<i>Note: Status A – Approved</i>	
Issued By:		<i>Status B – Approved with Comments</i>	
Issued To:		<i>Status C – Not Approved</i>	
Company:		Date:	

Contractor Receipt

Received By:		Date:	
Action:			



Kingfisher
Lighting

39882 - Hermes Superhub
Hoylands

Kingfisherlighting.com



STREET • AMENITY • ARCHITECTURAL • AREA



Guardian Pro



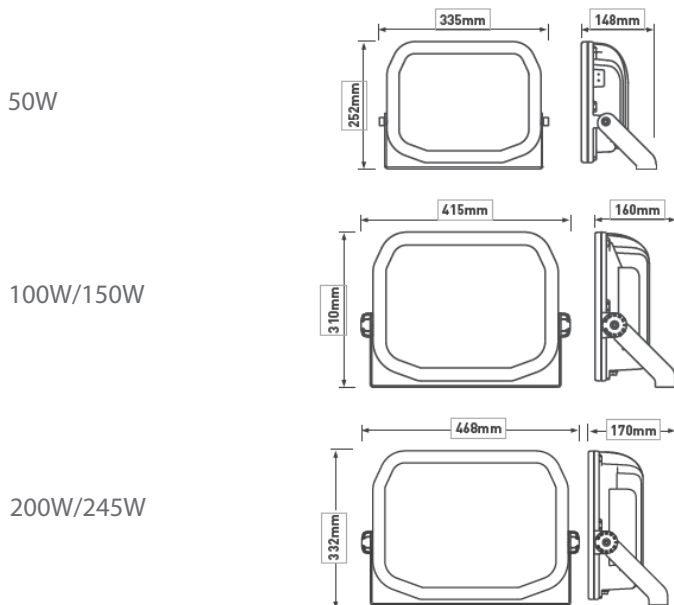
Specification Text

The luminaire shall be manufactured from high pressure die-cast aluminium. It shall have an LED efficacy of up to 136 luminaire lm/W and will be capable of producing up to 30,000 luminaire lumens at 4000K with a CRI >70. It shall have an asymmetric forward throw optic and is rated at IP65 and IK08.

Specification

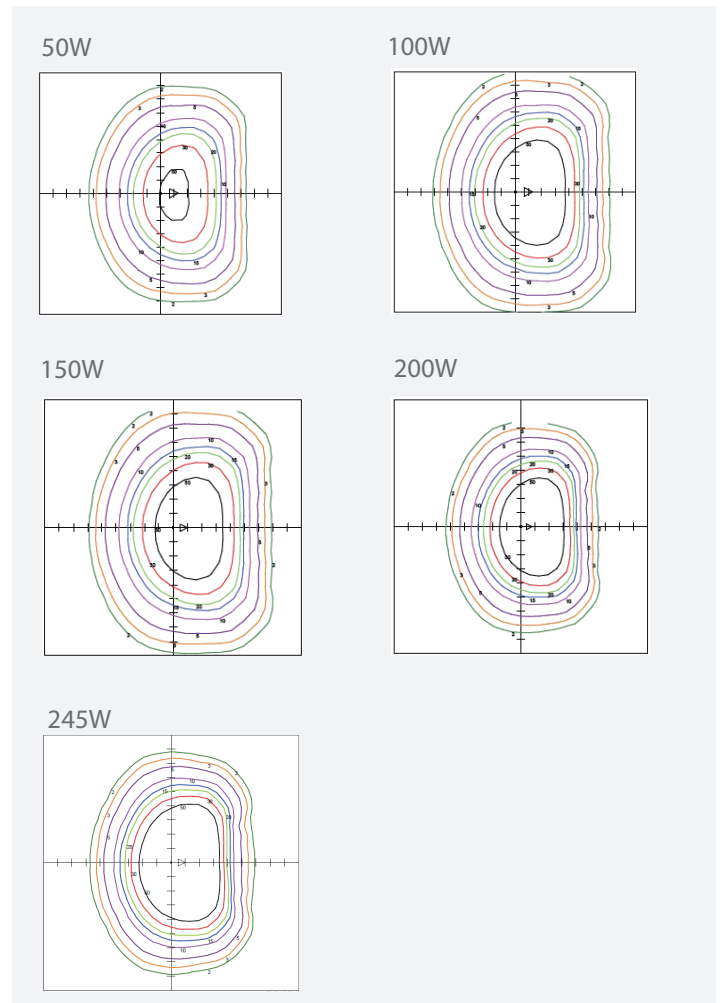
- Weight: 4.7 kg - 50W
7.0 kg - 100W
7.4 kg - 150W
9.3 kg - 200W/ 245W
- Windage: 0.08m² Max.
- Material: Die-cast Aluminium
- Paint Finish: Anthracite Grey

Dimensions



Key Features

- 50W - 245W
- 6,800 - 30,000 Luminaire Lumens
- Efficacy up to 136 lm/W
- 4000K, CRI >70
- Lifetime >70,000hr
- Driver included



Code	Power	Light Source	Luminaire Lumens	Optic	CCT(K)	IP	IK	Weight (kg)	Paint Finish
LFP50B140F	50W	LED	6800	Asymmetrical Flood Optic	4000	IP65	IK08	4.7	Antracite Grey
LFP100B140F	100W	LED	12500		4000	IP65	IK08	7.0	Antracite Grey
LFP150B140F	150W	LED	19200		4000	IP65	IK08	7.4	Antracite Grey
LFP200B140F	200W	LED	26000		4000	IP65	IK08	9.3	Antracite Grey
LFP245B140F	245W	LED	30000		4000	IP65	IK08	9.3	Antracite Grey



Accessories / Options

- Control options available
- Integrated photocell option

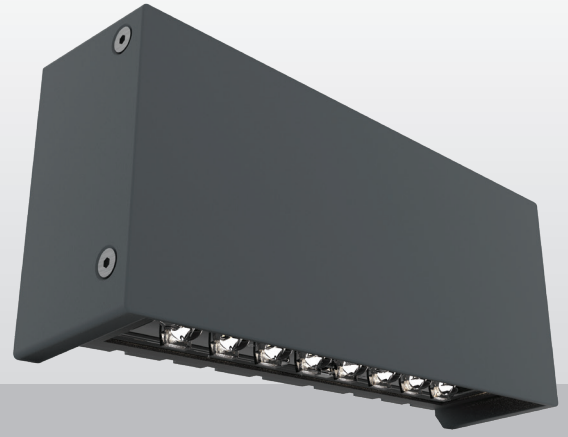
Mounting Options

- Stirrup Mounted



**Kingfisher
Lighting**

Datasheet



SEMITA Urban

Specification Text

The luminaire shall be manufactured from high pressure die-cast aluminium. It shall have an LED efficacy of up to 145.1 luminaire lm/W and will be capable of producing up to 1,611 luminaire lumens at 4000K with a CRI >70. It shall have an asymmetric forward throw optic and is rated at IP66 and IK10.

Specification

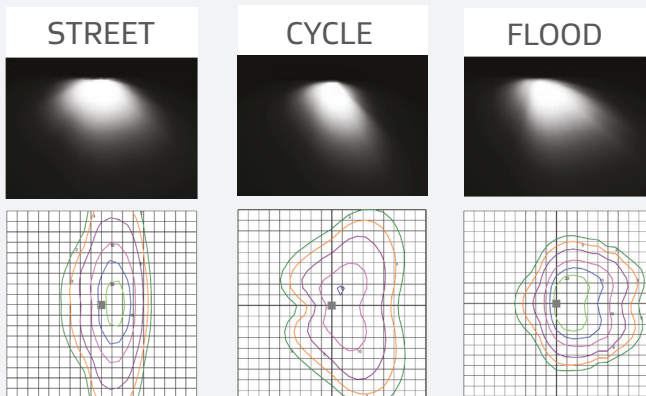
Weight: 2.42 kg
Material: Die-cast Aluminium
Paint Finish: Anthracite Grey

Key Features

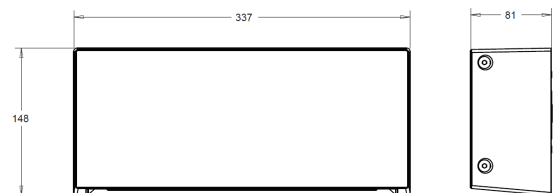
- 6W - 11W
- 812 - 1,611 Luminaire Lumens
- Efficacy up to 145.1 lm/W
- 4000K, CRI >70
- Lifetime >100,000hr
- Asymmetrical
- Driver included
- Dimming options



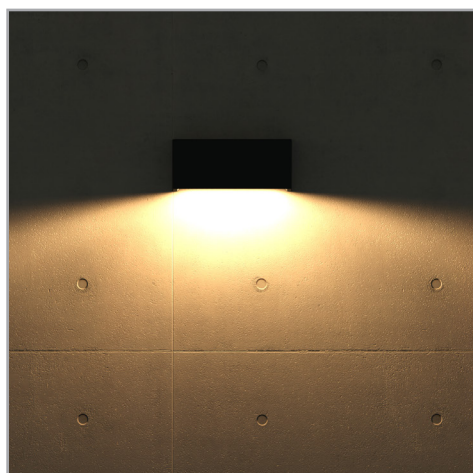
Optics



Dimensions



Code	Power	Light Source	Luminaire Lumens	Optic	CCT(K)	IP	IK	Weight (kg)	Paint Finish
SEMUFLO8D	6W	LED	812	Flood Light Optic (FL)	4000	IP66	IK10	2.4	Anthracite Grey
SEMUF15D	11W	LED	1611		4000	IP66	IK10	2.4	Anthracite Grey
SEMUOC08D	6W	LED	802	Path optic (OC)	4000	IP66	IK10	2.4	Anthracite Grey
SEMUOC15D	11W	LED	1570		4000	IP66	IK10	2.4	Anthracite Grey
SEMUST08D	6W	LED	783	Street Optic (ST)	4000	IP66	IK10	2.4	Anthracite Grey
SEMUST15D	11W	LED	1496		4000	IP66	IK10	2.4	Anthracite Grey



Accessories / Options

- Comfort diffuser
- Control options
- Dimmable options
- Emergency/ Photocell options
- Colour Temperature options

Mounting Options

- Wall mounted





Datasheet

Viva-City Pro



Specification Text

The luminaire shall be manufactured from high pressure die-cast aluminium. It shall have an LED efficacy of up to 141 luminaire lm/W and will be capable of producing up to 24000 luminaire lumens at 4000K with a CRI >70. It shall have a radial distribution and is IP66 and IK10.

Specification

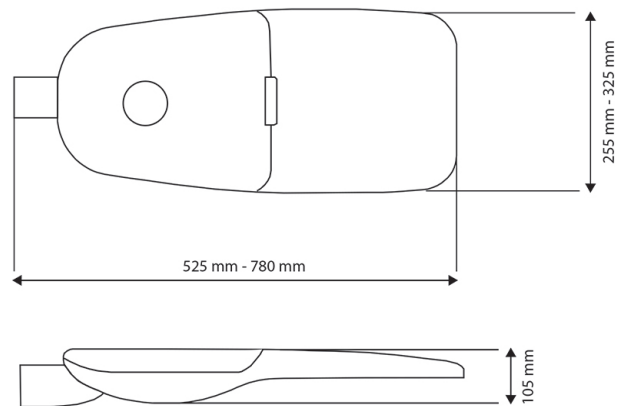
Weight: 5.2 - 9.5 kg
Material: Die-cast Aluminium
Paint Finish: Anthracite Grey

Key Features

- 15W - 180W
- 1,995 - 24,000 Luminaire Lumens
- Efficacy up to 141 lm/W
- 4000K, CRI >70
- Lifetime >100,000hr
- Asymmetrical
- Post top tilt +/- 15° degrees at 5° increments
- Side entry tilt +/- 10° degrees at 5° increments



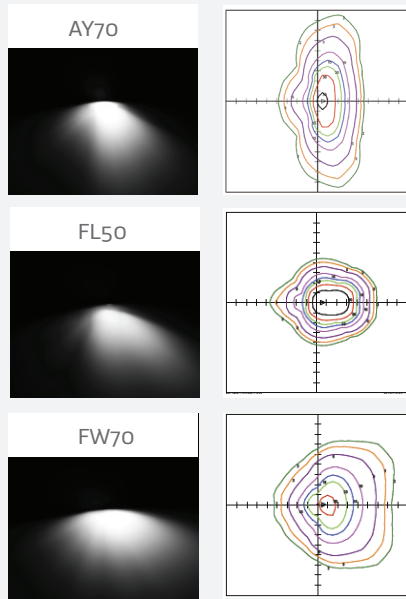
Dimensions



Power	L mm	W mm	H mm
15W	525	225	105
40W / 60W / 80W	625	290	105
120W / 180W	780	325	105

All measurements in mm

Optics



Code	Power	Light Source	Luminaire Lumens	Optic	CCT(K)	IP	IK	Weight (kg)	Paint Finish
VCYP-T3A-4.3-15D	15W	LED	1995	Asymmetrical Street Optic	4000	IP66	IK10	5.2	Anthracite Grey
VCYP-T3A-4.8-40D	40W	LED	5400		4000	IP66	IK10	6.5	Anthracite Grey
VCYP-T3A-4.6-60D2	60W	LED	8450		4000	IP66	IK10	6.6	Anthracite Grey
VCYP-T3A-4.8-80D	80W	LED	10650		4000	IP66	IK10	6.7	Anthracite Grey
VCYP-T3A-4.6-120D	120W	LED	16250		4000	IP66	IK10	9.4	Anthracite Grey
VCYP-T3A-4.8-180D	180W	LED	22900		4000	IP66	IK10	9.5	Anthracite Grey
VCYP-T4A-4.3-15D	15W	LED	1995	Asymmetrical Area Optic	4000	IP66	IK10	5.2	Anthracite Grey
VCYP-T4A-4.8-40D	40W	LED	5400		4000	IP66	IK10	6.5	Anthracite Grey
VCYP-T4A-4.6-60D2	60W	LED	8450		4000	IP66	IK10	6.6	Anthracite Grey
VCYP-T4A-4.8-80D	80W	LED	10650		4000	IP66	IK10	6.7	Anthracite Grey
VCYP-T4A-4.6-120D	120W	LED	16250		4000	IP66	IK10	9.4	Anthracite Grey
VCYP-T4A-4.8-180D	180W	LED	22900		4000	IP66	IK10	9.5	Anthracite Grey
VCYP-FL50-4.3-15D	15W	LED	2062	Asymmetrical Flood Optic - 50°	4000	IP66	IK10	5.2	Anthracite Grey
VCYP-FL50-4.8-40D	40W	LED	5659		4000	IP66	IK10	6.5	Anthracite Grey
VCYP-FL50-4.6-60D2	60W	LED	7944		4000	IP66	IK10	6.6	Anthracite Grey
VCYP-FL50-4.8-80D	80W	LED	11162		4000	IP66	IK10	6.7	Anthracite Grey
VCYP-FL50-4.6-120D	120W	LED	17031		4000	IP66	IK10	9.4	Anthracite Grey
VCYP-FL50-4.8-180D	180W	LED	24000		4000	IP66	IK10	9.5	Anthracite Grey
VCYP-AY70-4.3-15D	15W	LED	1983	Asymmetrical Street Optic - 70°	4000	IP66	IK10	5.2	Anthracite Grey
VCYP-AY70-4.8-40D	40.0	LED	5310		4000	IP66	IK10	6.5	Anthracite Grey
VCYP-AY70-4.6-60D2	60W	LED	7454		4000	IP66	IK10	6.6	Anthracite Grey
VCYP-AY70-4.8-80D	80W	LED	10473		4000	IP66	IK10	6.7	Anthracite Grey
VCYP-AY70-4.6-120D	120W	LED	15980		4000	IP66	IK10	9.4	Anthracite Grey
VCYP-AY70-4.8-180D	180W	LED	22519		4000	IP66	IK10	9.5	Anthracite Grey
VCYP-FW70-4.3-15D	15W	LED	1926	Asymmetrical Area Optic - 70°	4000	IP66	IK10	5.2	Anthracite Grey
VCYP-FW70-4.8-40D	40W	LED	5493		4000	IP66	IK10	6.5	Anthracite Grey
VCYP-FW70-4.6-60D2	60W	LED	7710		4000	IP66	IK10	6.6	Anthracite Grey
VCYP-FW70-4.8-80D	80W	LED	10833		4000	IP66	IK10	6.7	Anthracite Grey
VCYP-FW70-4.6-120D	120W	LED	16530		4000	IP66	IK10	9.4	Anthracite Grey
VCYP-FW70-4.8-180D	180W	LED	23294		4000	IP66	IK10	9.5	Anthracite Grey



Accessories / Options

- Photocell option
- Dimming option

Mounting Options

- 60mm Post-top
- 60mm Side-entry



Datasheet

Zactis



Specification Text

The luminaire shall be manufactured from high pressure die-cast aluminium. It shall have an LED efficacy of up to 146.2 luminaire lm/W and will be capable of producing up to 46,768 luminaire lumens at 4000K with a CRI >70. It shall have an asymmetric forward throw optic and is rated at IP65 and IK08.

With a peak intensity of 70°, Zactis achieves excellent performance while still complying with BREEAM & the ILP guidance notes on obtrusive light.

Specification

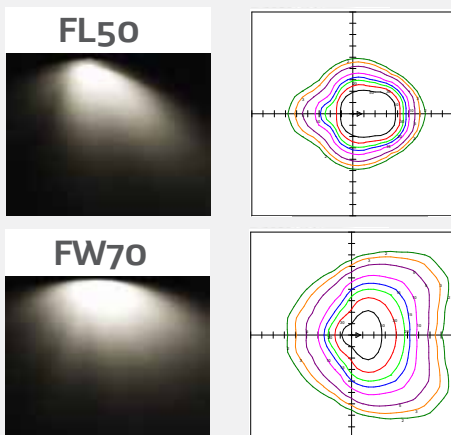
Weight:	14.5 - 16.4 kg
Windage:	0.04m ²
Material:	Die-cast Aluminium
Paint Finish:	Anthracite Grey

Key Features

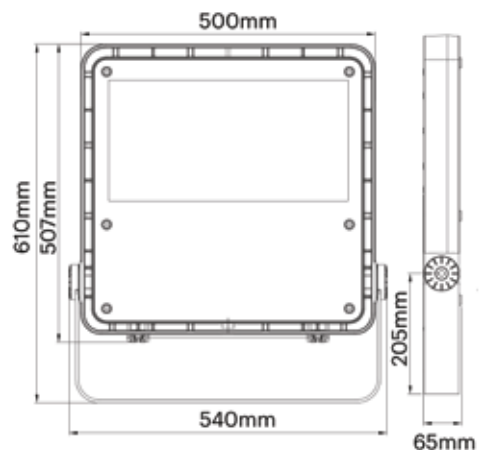
- 125W - 320W
- 17,125 - 46,768 Luminaire Lumens
- Efficacy up to 146.2 lm/W
- 4000K, CRI >70
- Lifetime >100,000hr
- Asymmetrical
- Marine grade paint as standard
- DALI dimmable as standard
- Plug and socket connection
- Photocell and NEMA options



Optics



Dimensions



Code	Power	Light Source	Luminaire Lumens	Optic	CCT(K)	IP	IK	Weight (kg)	Paint Finish
ZAC-FW70-4.5-125D	125W	LED	17125	Asymmetrical Forward Throw Optic 70°	4000	IP65	IK08	14.5	Anthracite Grey
ZAC-FW70-4.7-160D	160W	LED	21920		4000	IP65	IK08	14.5	Anthracite Grey
ZAC-FW70-4.5-250D	250W	LED	34250		4000	IP65	IK08	16.3	Anthracite Grey
ZAC-FW70-4.7-320D	320W	LED	44155		4000	IP65	IK08	16.3	Anthracite Grey
ZAC-FL50-4.5-125D	125W	LED	18250	Asymmetrical Flood Optic - 50°	4000	IP65	IK08	14.5	Anthracite Grey
ZAC-FL50-4.7-160D	160W	LED	23360		4000	IP65	IK08	14.5	Anthracite Grey
ZAC-FL50-4.5-250D	250W	LED	36500		4000	IP65	IK08	16.3	Anthracite Grey
ZAC-FL50-4.7-320D	320W	LED	46768		4000	IP65	IK08	16.3	Anthracite Grey



Accessories / Options

- Control options available
- Dimming options
- Photocell options

Mounting Options

- Stirrup Mounted

