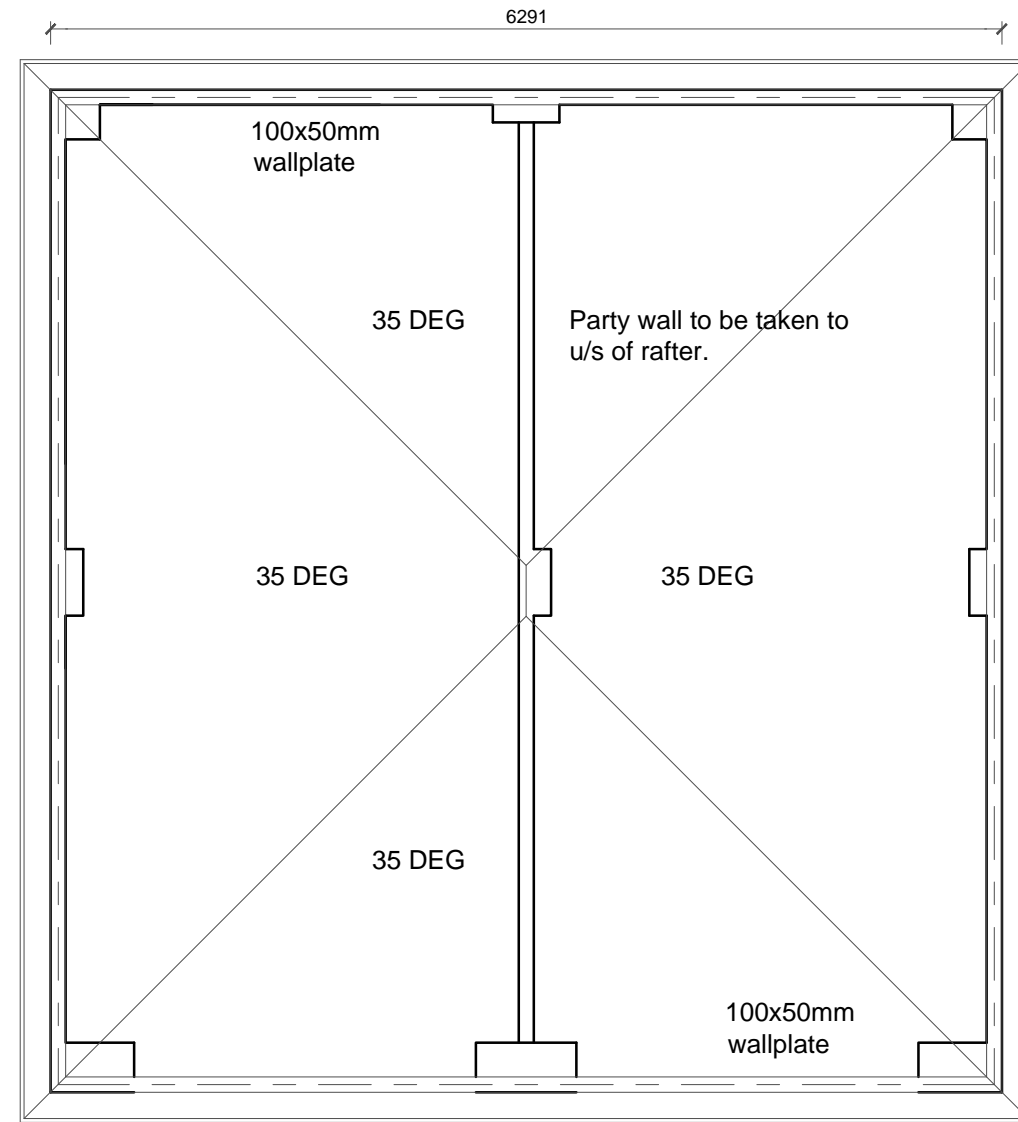
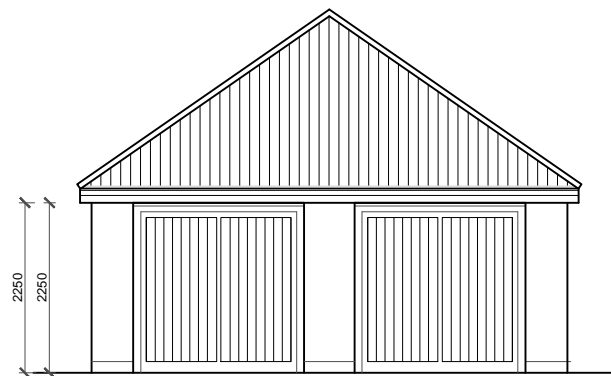
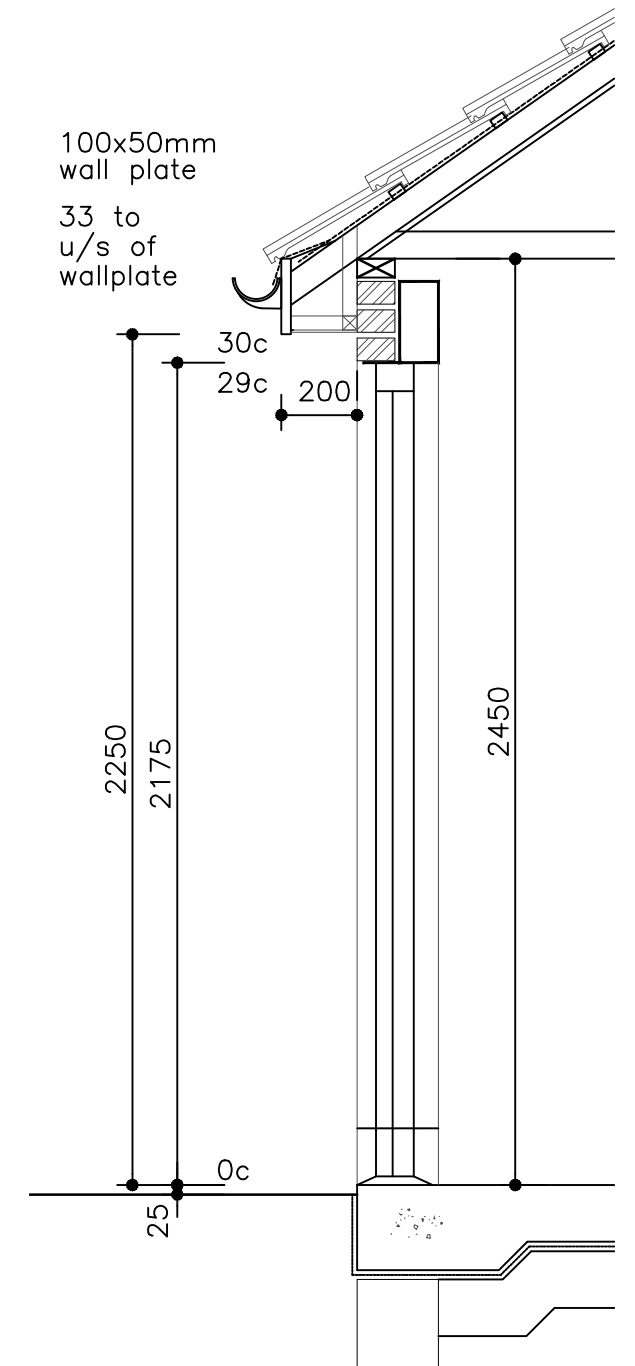


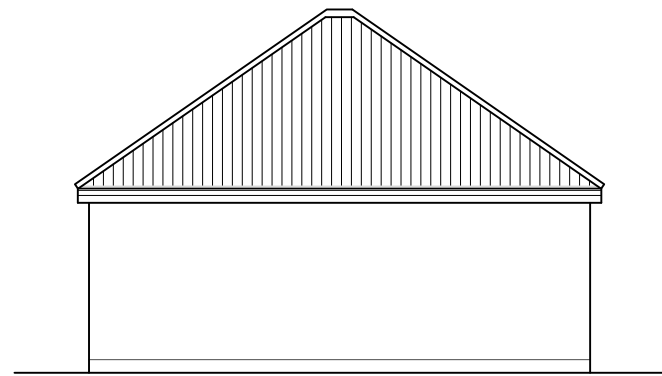
FOUNDATION PLAN



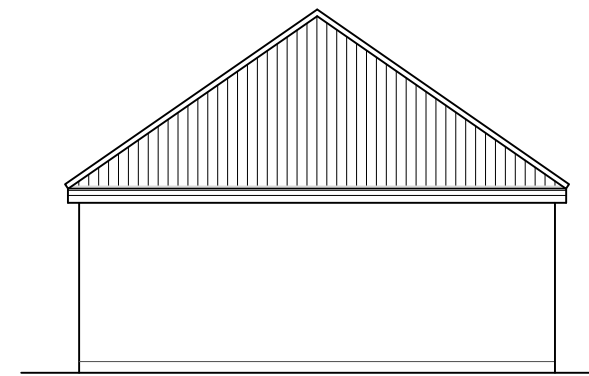
ROOF PLAN



FRONT ELEVATION



SIDE ELEVATION



REAR ELEVATION

Revision :	
Scale :	1:50 @A3
Date :	February 17
Drawn by :	KL
Project :	Proposed Development at Newsome Avenue, Wombwell
Title :	Twin Garage Hip
Drg No :	NA/TG/02
Rev :	-