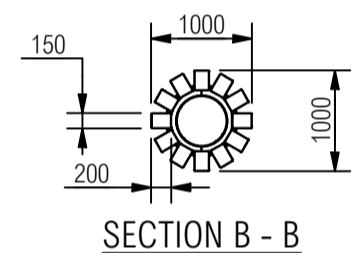
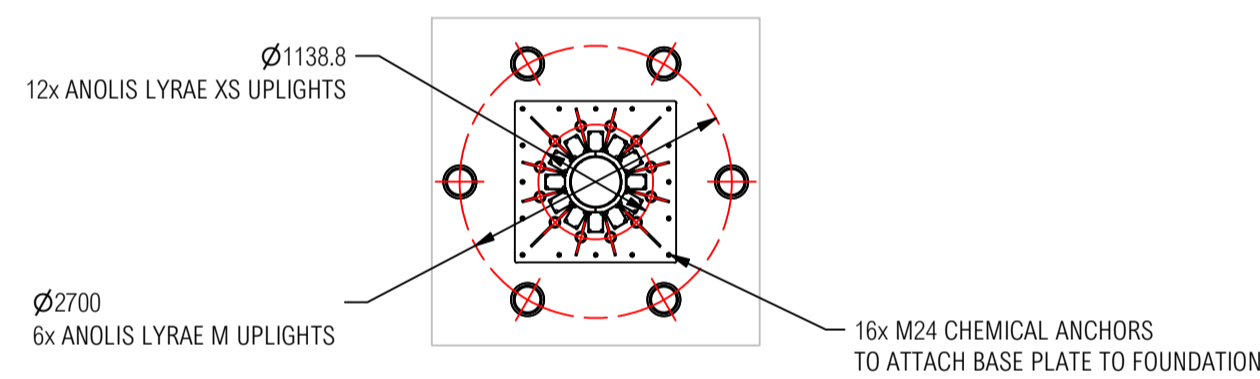


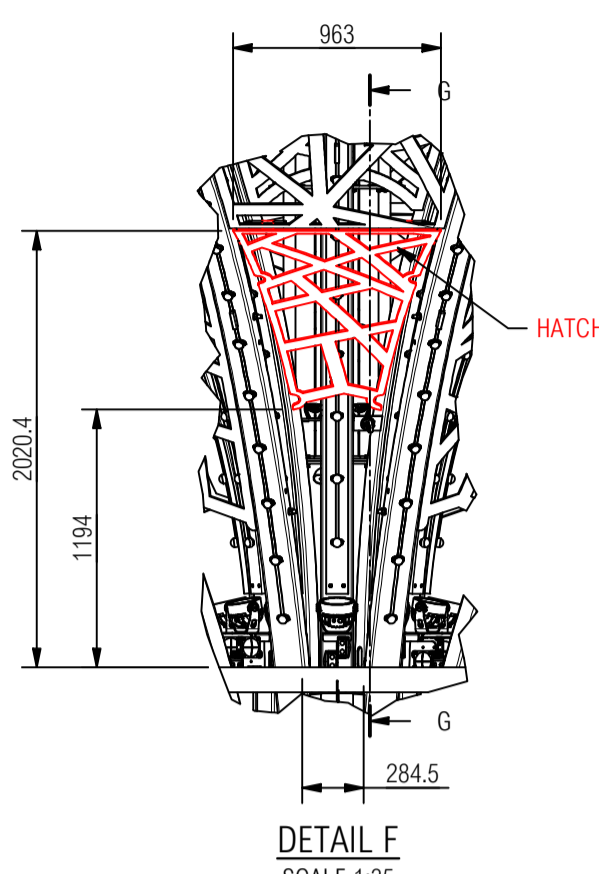
PLAN



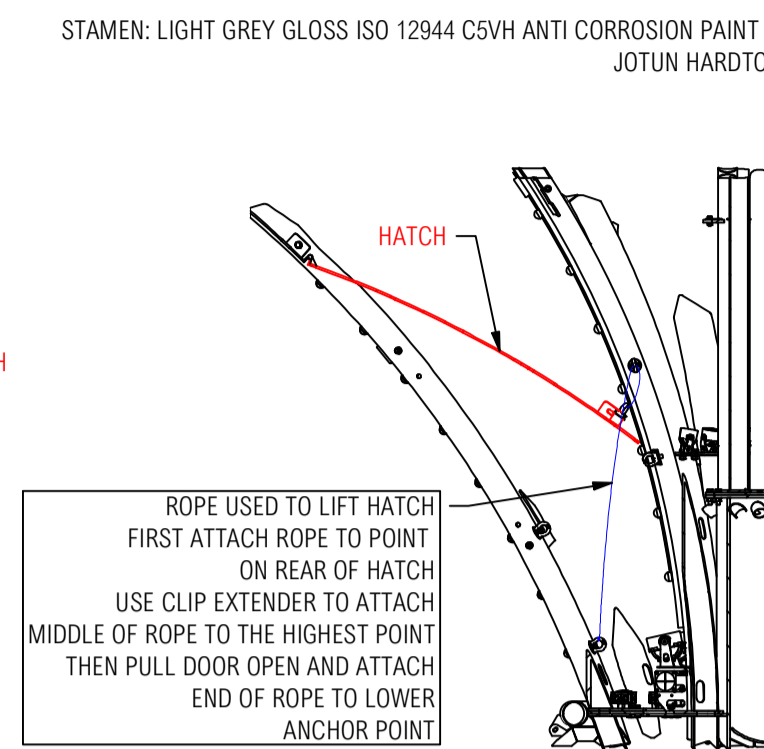
SECTION B - B



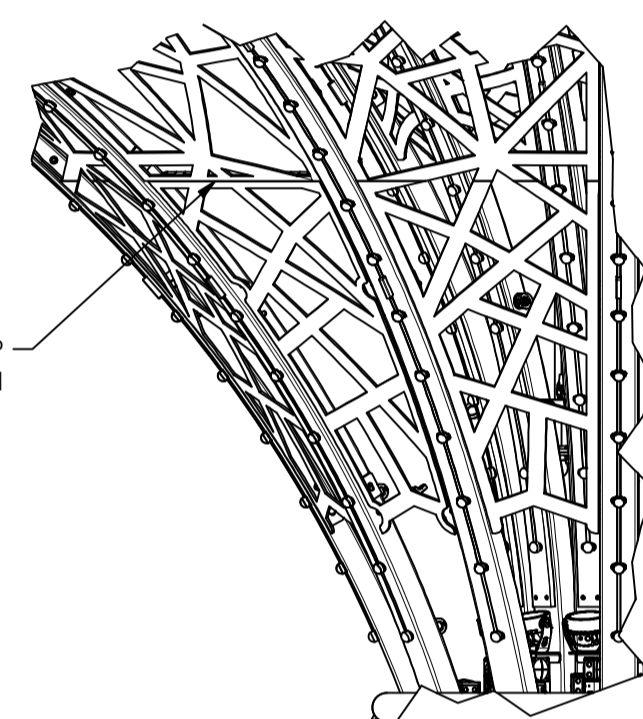
SECTION A - A



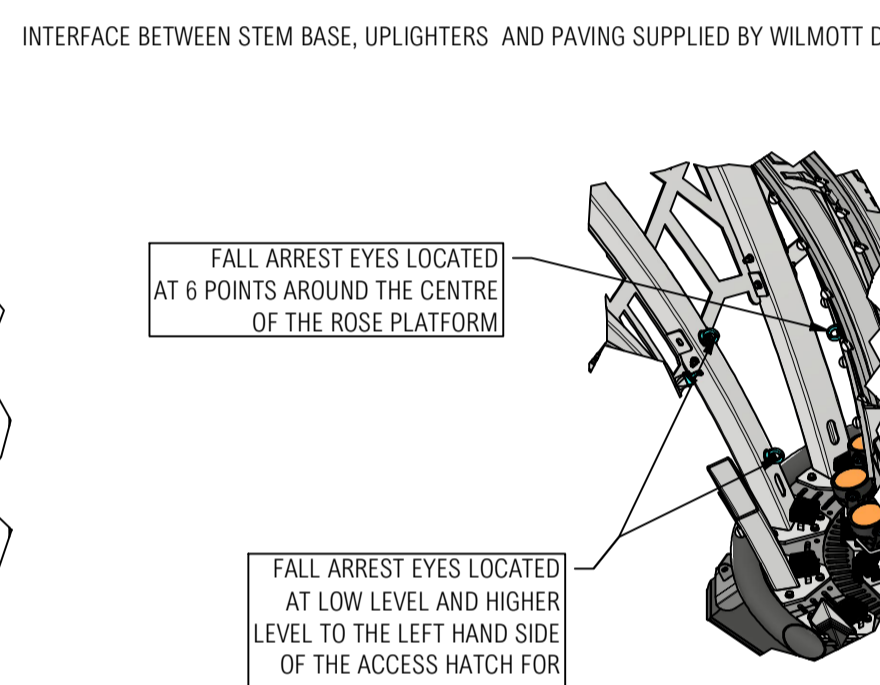
DETAIL F
SCALE 1:35



SECTION G - G



DETAIL H
SCALE 1:30



DETAIL J
SCALE 1:30

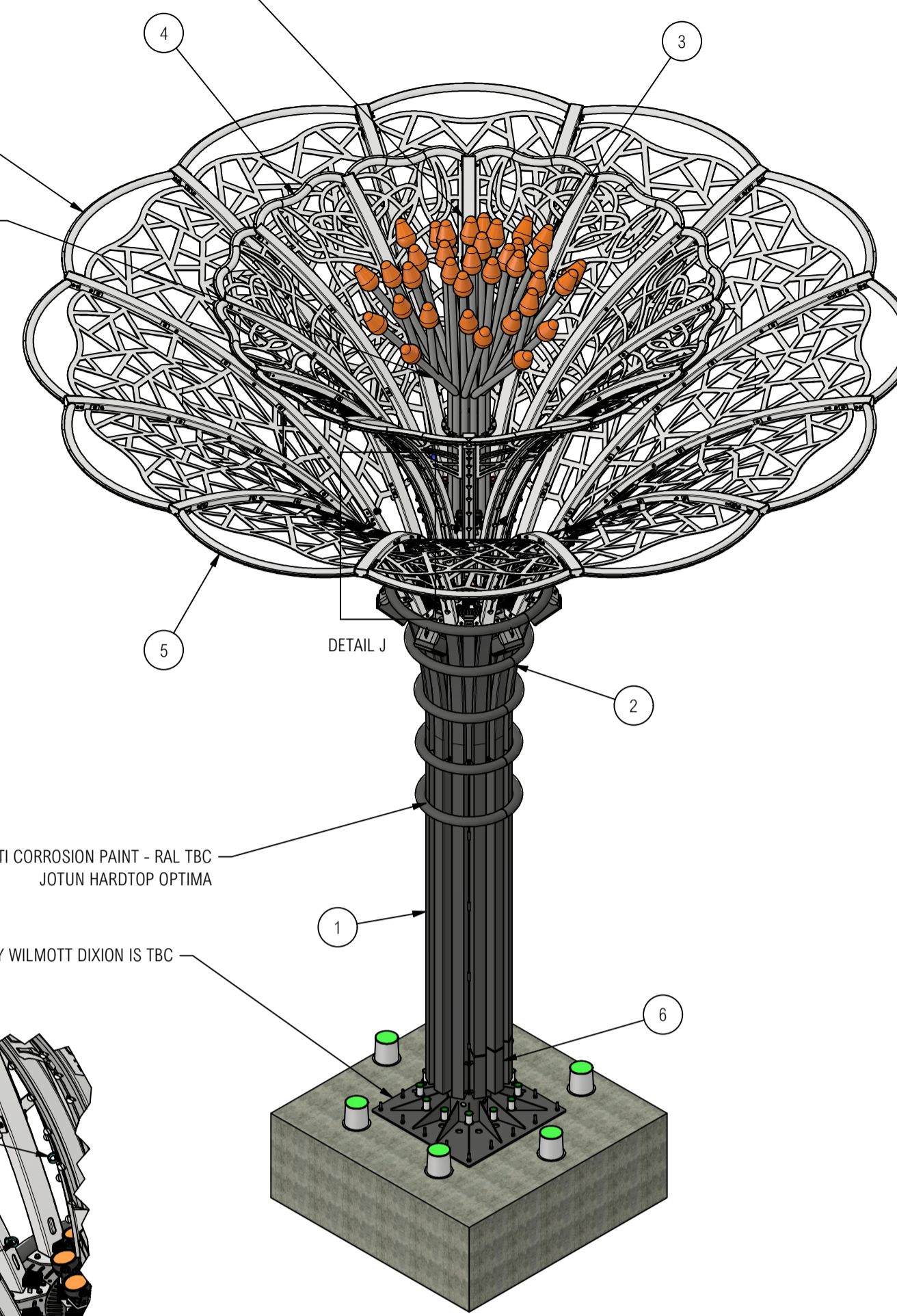
STAMEN : ORANGE GLOSS ISO 12944 C5VH ANTI CORROSION PAINT - RAL TBC
JOTUN HARDTOP OPTIMA

PETALS: WHITE GLOSS ISO 12944 C5VH ANTI CORROSION PAINT
JOTUN PENGUARD UNIVERSAL WHITE

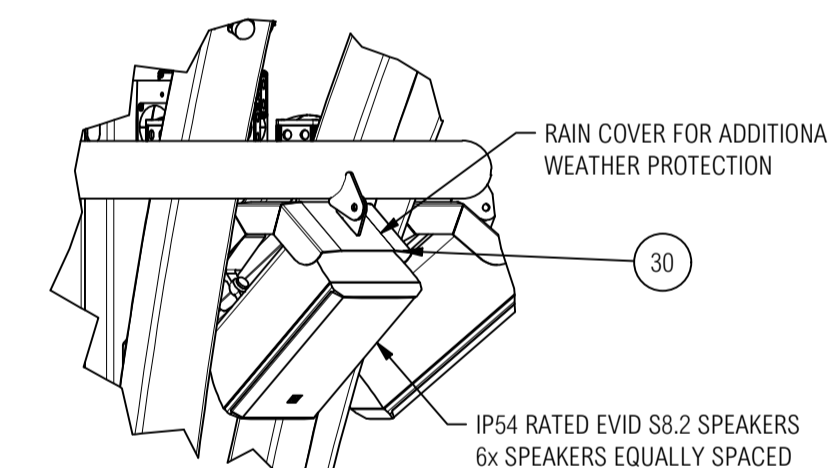
STAMEN: LIGHT GREY GLOSS ISO 12944 C5VH ANTI CORROSION PAINT - RAL TBC
JOTUN HARDTOP OPTIMA

STEM : MID GREY GLOSS ISO 12944 C5VH ANTI CORROSION PAINT - RAL TBC
JOTUN HARDTOP OPTIMA

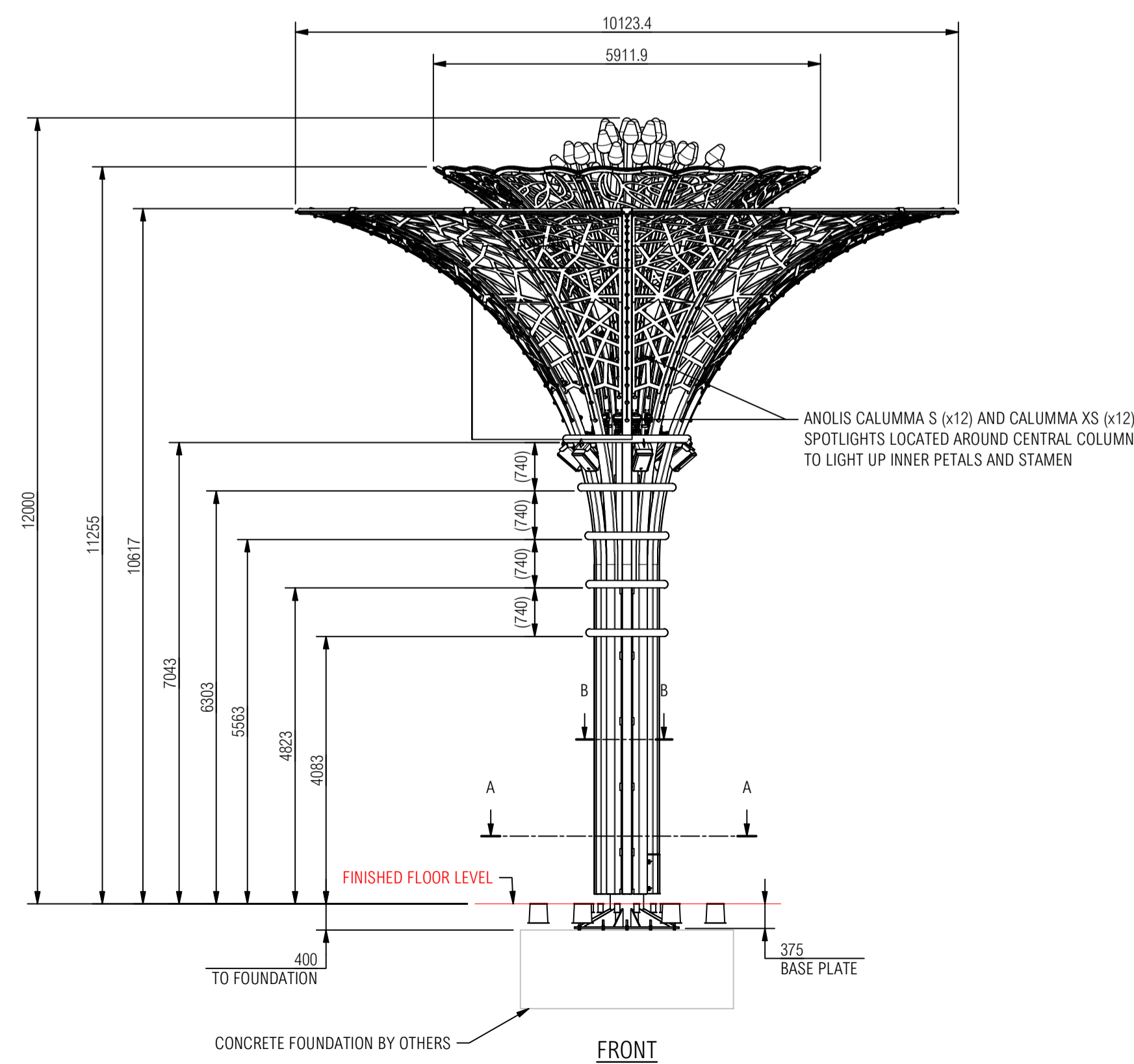
INTERFACE BETWEEN STEM BASE, UPLIGHTERS AND PAVING SUPPLIED BY WILMOTT DIXON IS TBC



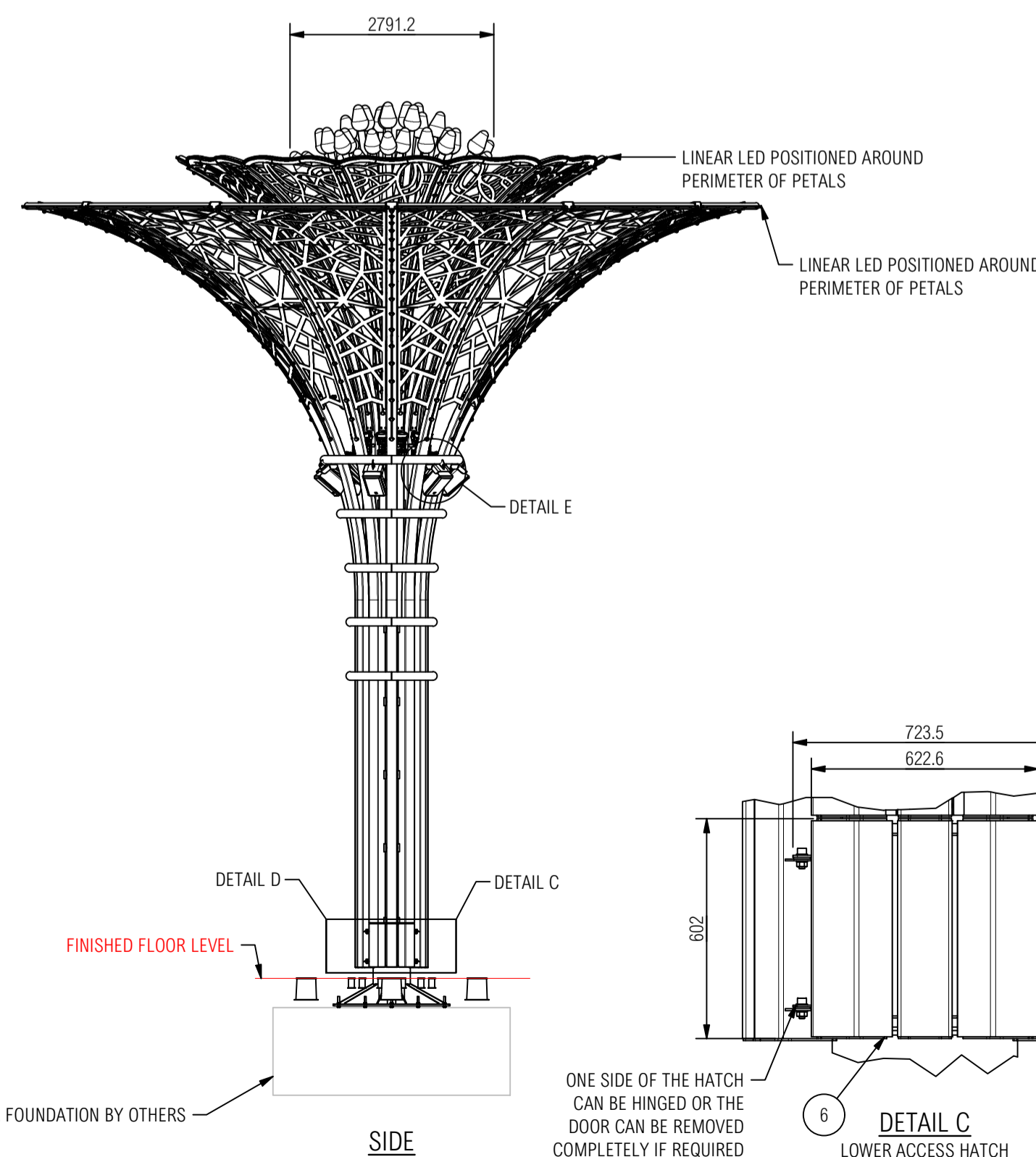
ISOMETRIC



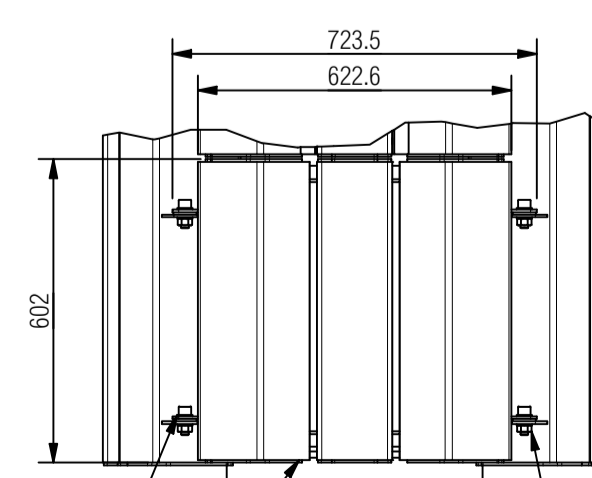
DETAIL E
SCALE 1:15



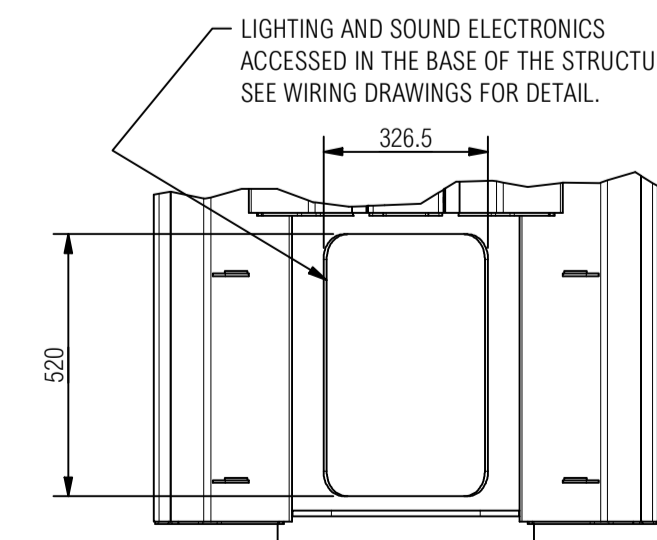
FRONT



SIDE



DETAIL C
LOWER ACCESS HATCH
SCALE 1:15



DETAIL D
LOWER ACCESS HATCH - DOOR REMOVED
SCALE 1:15

ITEM LIST			
ITEM	PART NUMBER	DESCRIPTION	QTY
1	ROS0825-BB01-001	COLUMN AND BASE PLATE	1
2	ROS0825-BB02-001	COLUMN TOP SECTION	1
3	ROS0825-BB03-001	CENTRAL STAMEN	1
4	ROS0825-BB04-001	INNER ARMS AND FRETWORK	1
5	ROS0825-BB05-001	OUTER ARMS AND FRETWORK	1
6	ROS0825-AA07-001	ACCESS HATCH	1
33	ROS0825-EXTR-0082	ARCPX II 17 STRING	12

GENERAL NOTES

- IF IN DOUBT - ASK!
 - ALL DIMENSIONS ARE IN mm UNLESS STATED OTHERWISE.
 - ALL LINEAR DIMENSIONS TO BE ± 1mm UNLESS STATED OTHERWISE.
 - ALL FASTENERS TO BE GRADE 8.8
 - SCULPTURES ARE CONSTRUCTED FROM MILD STEEL GRADE S355 - GALVANISED TO EN ISO 1461:2009
 - FINISH DETAILS
- STEM INCLUDING TOP SECTION: MID-GREY GLOS ISO 12944 C5VH ANTI CORROSION PAINT - JOTUN HARD TOP OPTIMA - RAL TBC
- PETALS: WHITE GLOSS ISO 12944 C5VH ANTI CORROSION PAINT - JOTUN PENGUARD UNIVERSAL WHITE
- STAMEN:
LIGHT-GREY GLOSS ISO 12944 C5VH ANTI CORROSION PAINT - JOTUN HARD TOP OPTIMA - RAL TBC
ORANGE GLOSS ISO 12944 C5VH ANTI CORROSION PAINT - JOTUN HARD TOP OPTIMA - RAL TBC
- SHEETS:
SHEET 1: OVERALL AND ACCESS DETAILS
SHEET 2: INDIVIDUAL ASSEMBLIES
SHEET 3: INSTALL STEPS
SHEET 3: CABLE ROUTING

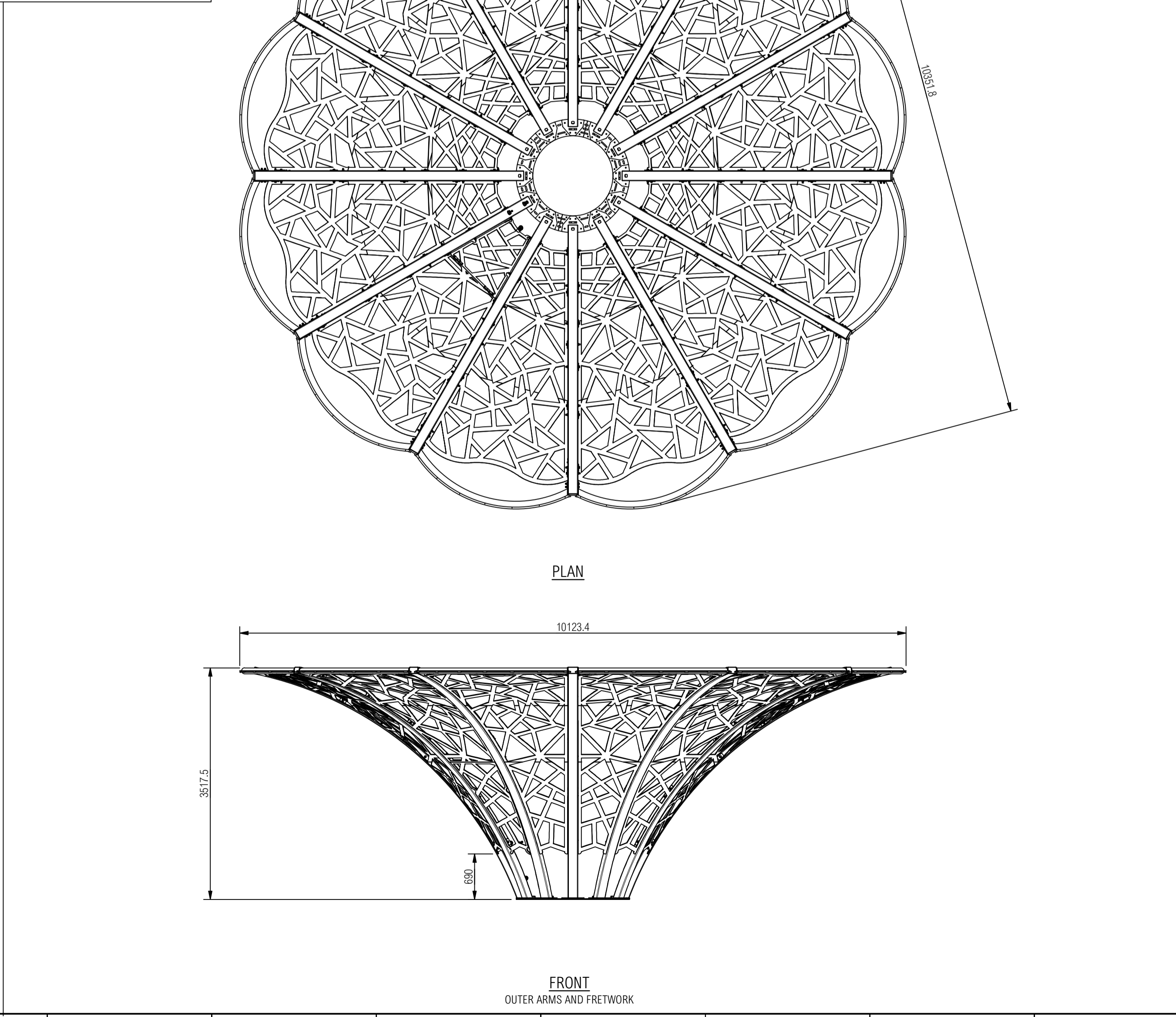
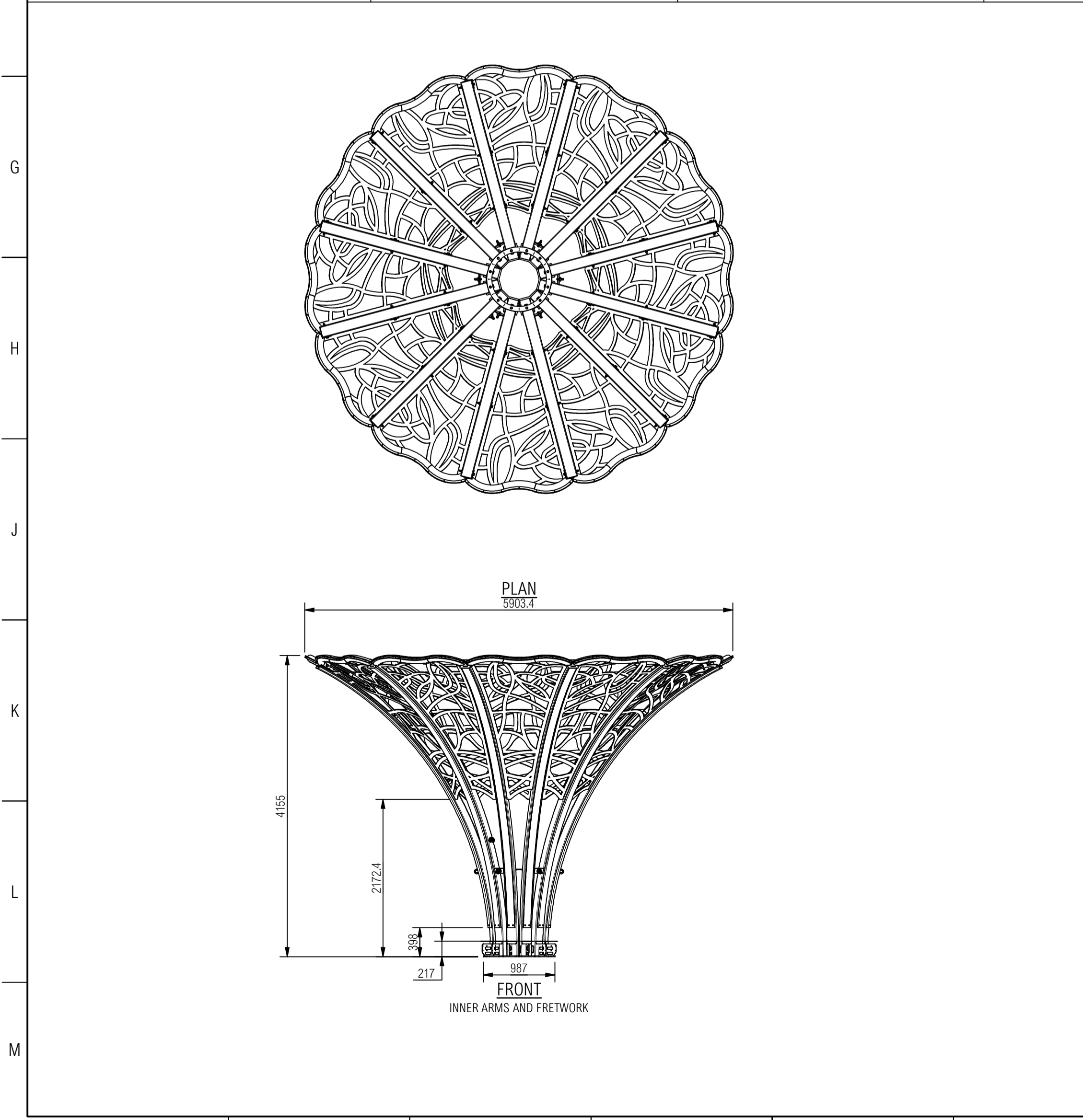
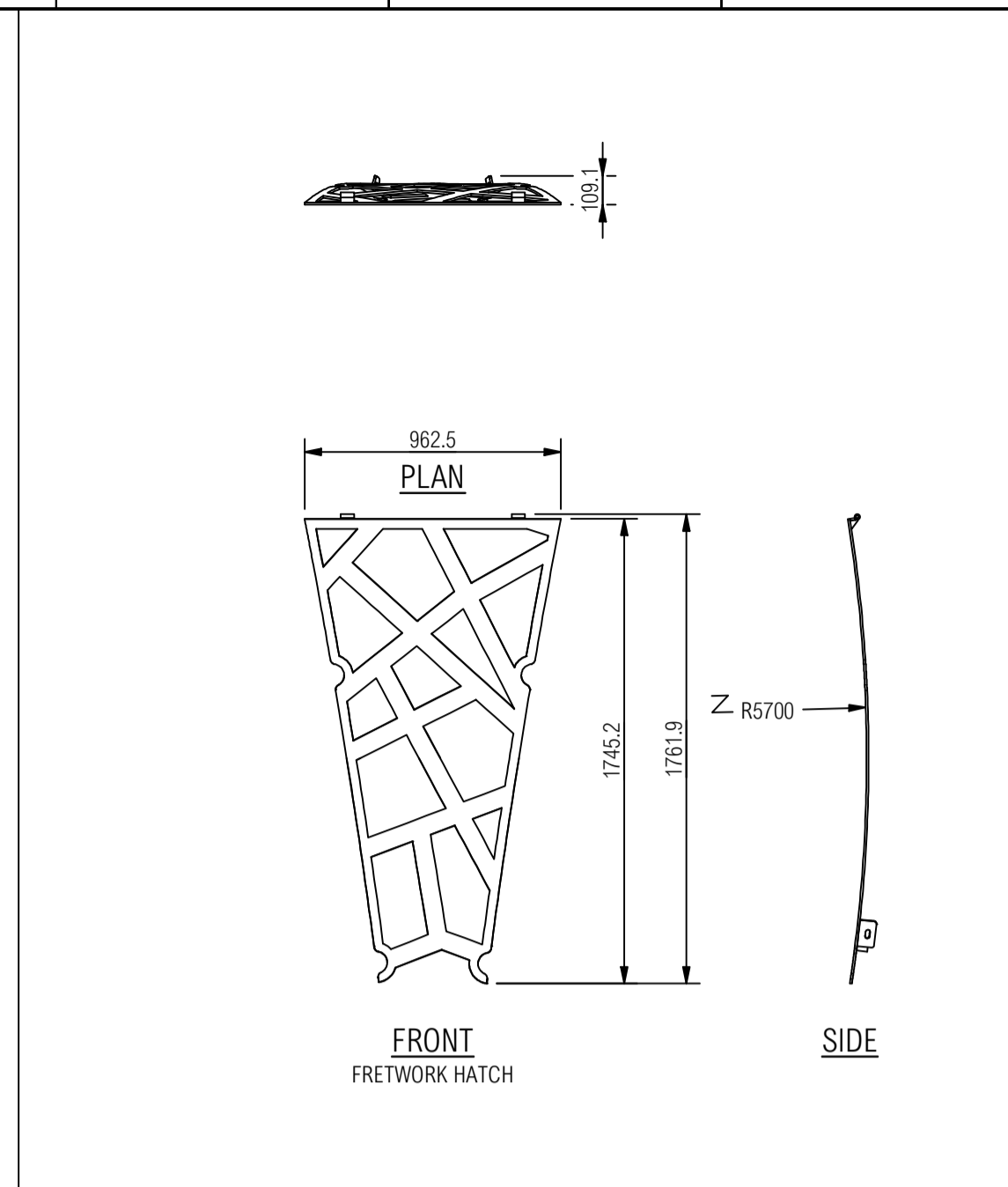
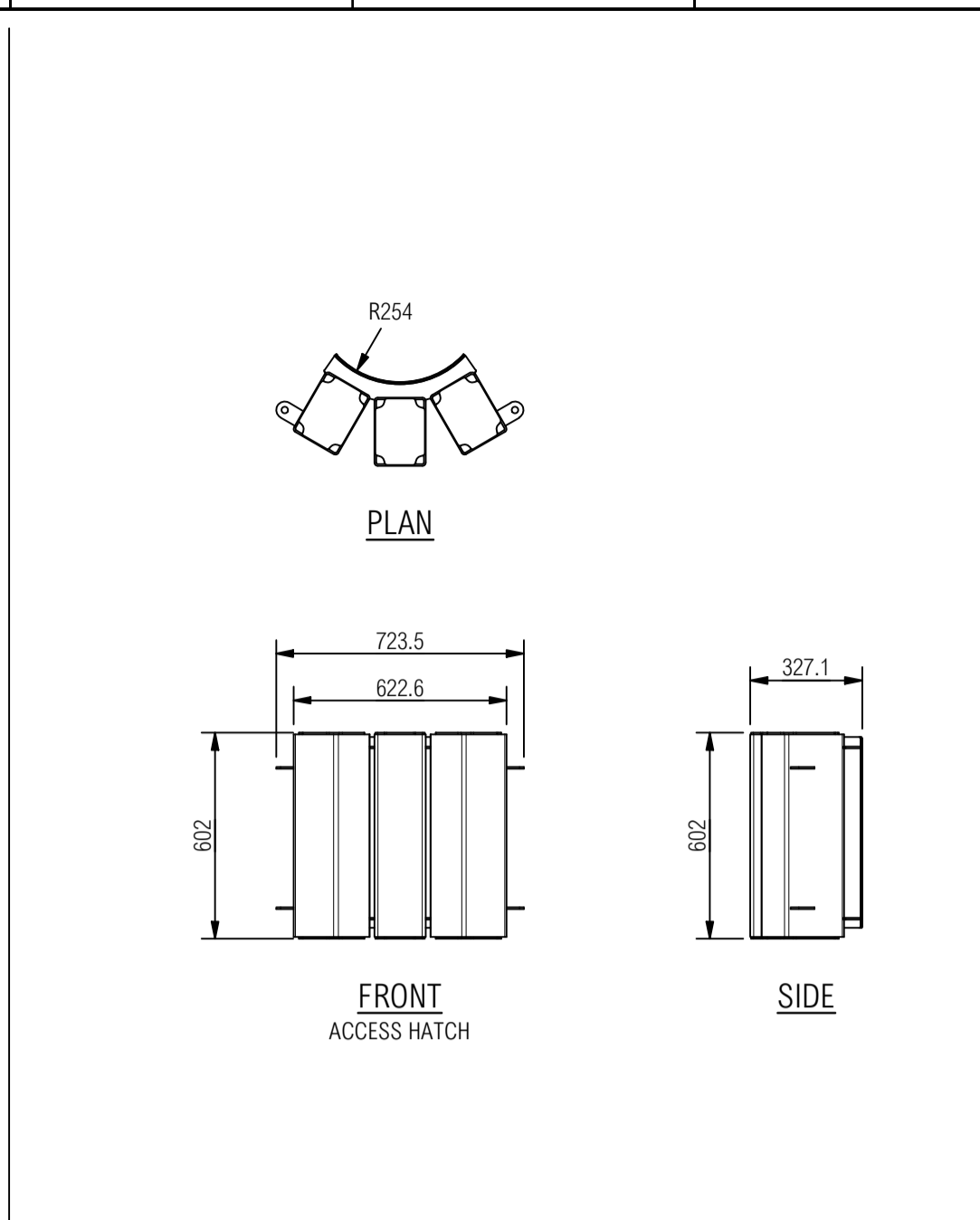
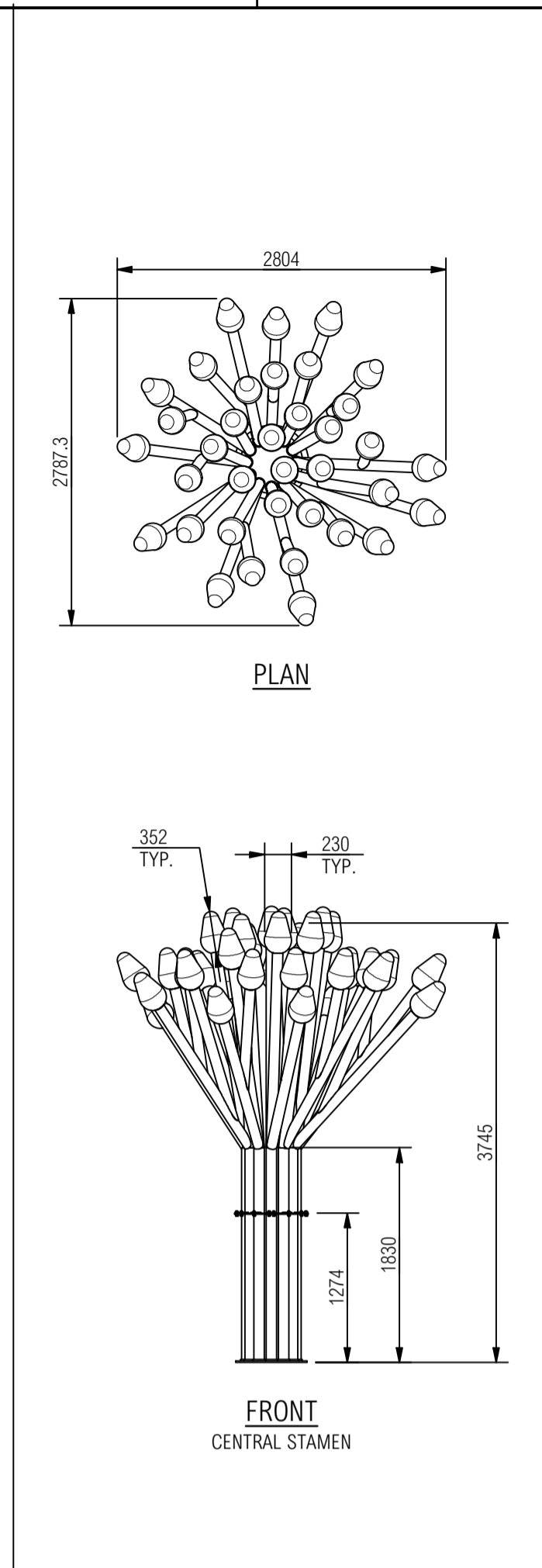
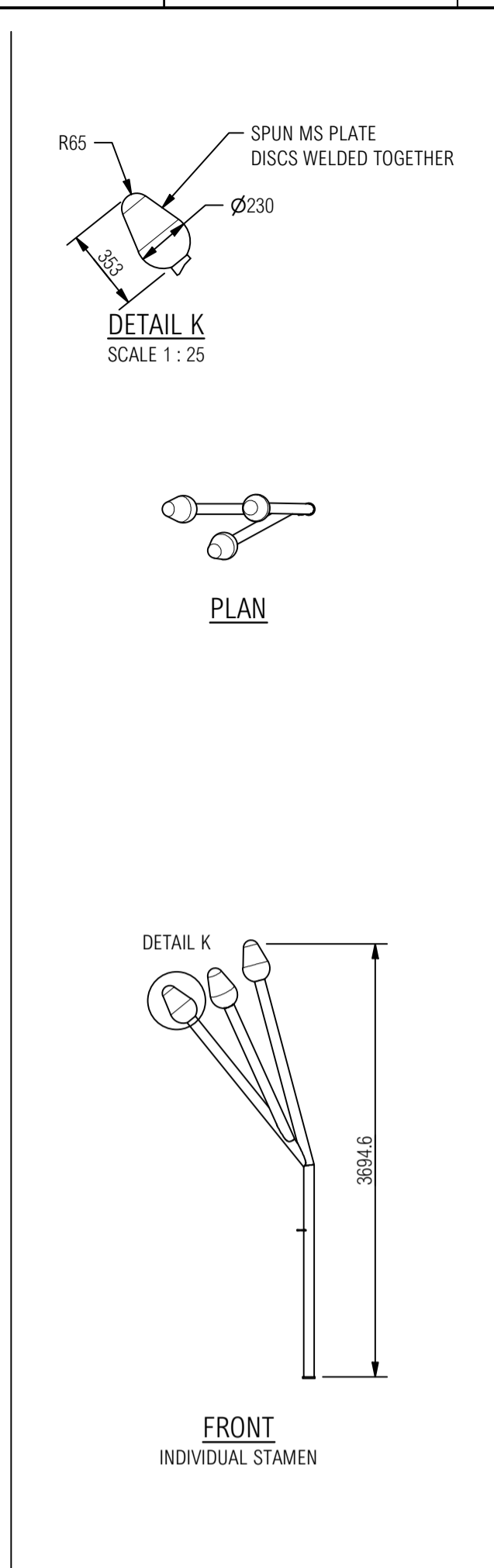
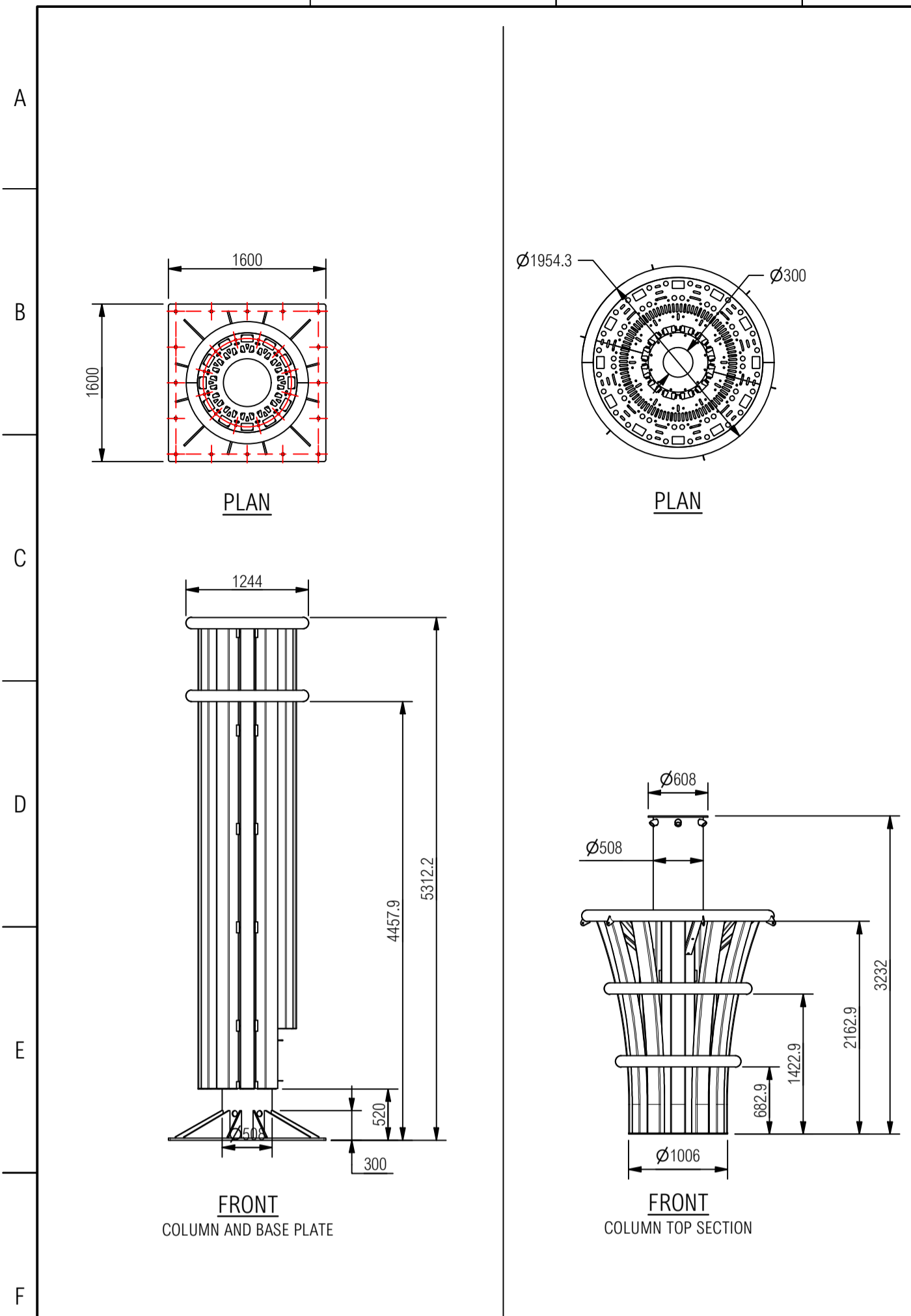
REV	ISSUED FOR REVIEW	DESCRIPTION	ON	11/04/2025
			DRN	DATE

REVISION HISTORY

	CLIENT: WILMOTT DIXON CONSTRUCTION	PROJECT: THREE YORKSHIRE ROSES
	GROUP: BB - 12M ROSES	
	SUBGROUP: 00 - GA	
	DRAWING TYPE: GA	DRAWN BY: ON
	DRAWING SIZE: A1	DRAWING SCALE: 1:75
	DRAWING TITLE: 12M ROSE GA	
		SHEET NO: 1/4
	DRAWING NUMBER: ROS0825-BB00-0001	REVISION: A

T | +44 (0)1423 358 001
E | sales@stageone.co.uk
W | www.stageone.co.uk

THIS DRAWING IS THE COPYRIGHT OF STAGE ONE CREATING SERVICES LTD AND SHALL NOT BE DISCLOSED OR COPIED WITHOUT WRITTEN CONSENT



ITEM LIST			
ITEM	PART NUMBER	DESCRIPTION	QTY
1	ROS0825-BB01-0001	COLUMN AND BASE PLATE	1
2	ROS0825-BB02-0001	COLUMN TOP SECTION	1
3	ROS0825-BB03-0001	CENTRAL STAMEN	1
4	ROS0825-BB04-0001	INNER ARMS AND FRETWORK	1
5	ROS0825-BB05-0001	OUTER ARMS AND FRETWORK	1
6	ROS0825-AA07-0001	ACCESS HATCH	1
33	ROS0825-EXTRA-0082	ARCPX II 17 STRING	12

GENERAL NOTES

- IF IN DOUBT - ASK!
- ALL DIMENSIONS ARE IN mm UNLESS STATED OTHERWISE.
- ALL LINEAR DIMENSIONS TO BE ± 1mm UNLESS STATED OTHERWISE.
- ALL FASTENERS TO BE GRADE 8.8
- SCULPTURES ARE CONSTRUCTED FROM MILD STEEL GRADE S355 - GALVANISED TO EN ISO 1461:2009
- FINISH DETAILS

STEM INCLUDING TOP SECTION: MID-GREY GLOS ISO 12944 C5VH ANTI CORROSION PAINT - JOTUN HARD TOP OPTIMA - RAL TBC

PETALS: WHITE GLOSS ISO 12944 C5VH ANTI CORROSION PAINT - JOTUN PENGUARD UNIVERSAL WHITE

STAMEN: LIGHT-GREY GLOSS ISO 12944 C5VH ANTI CORROSION PAINT - JOTUN HARD TOP OPTIMA - RAL TBC

ORANGE GLOSS ISO 12944 C5VH ANTI CORROSION PAINT - JOTUN HARD TOP OPTIMA - RAL TBC

SHEETS:
SHEET 1: OVERALL AND ACCESS DETAILS
SHEET 2: INDIVIDUAL ASSEMBLIES
SHEET 3: INSTALL STEPS
SHEET 3: CABLE ROUTING

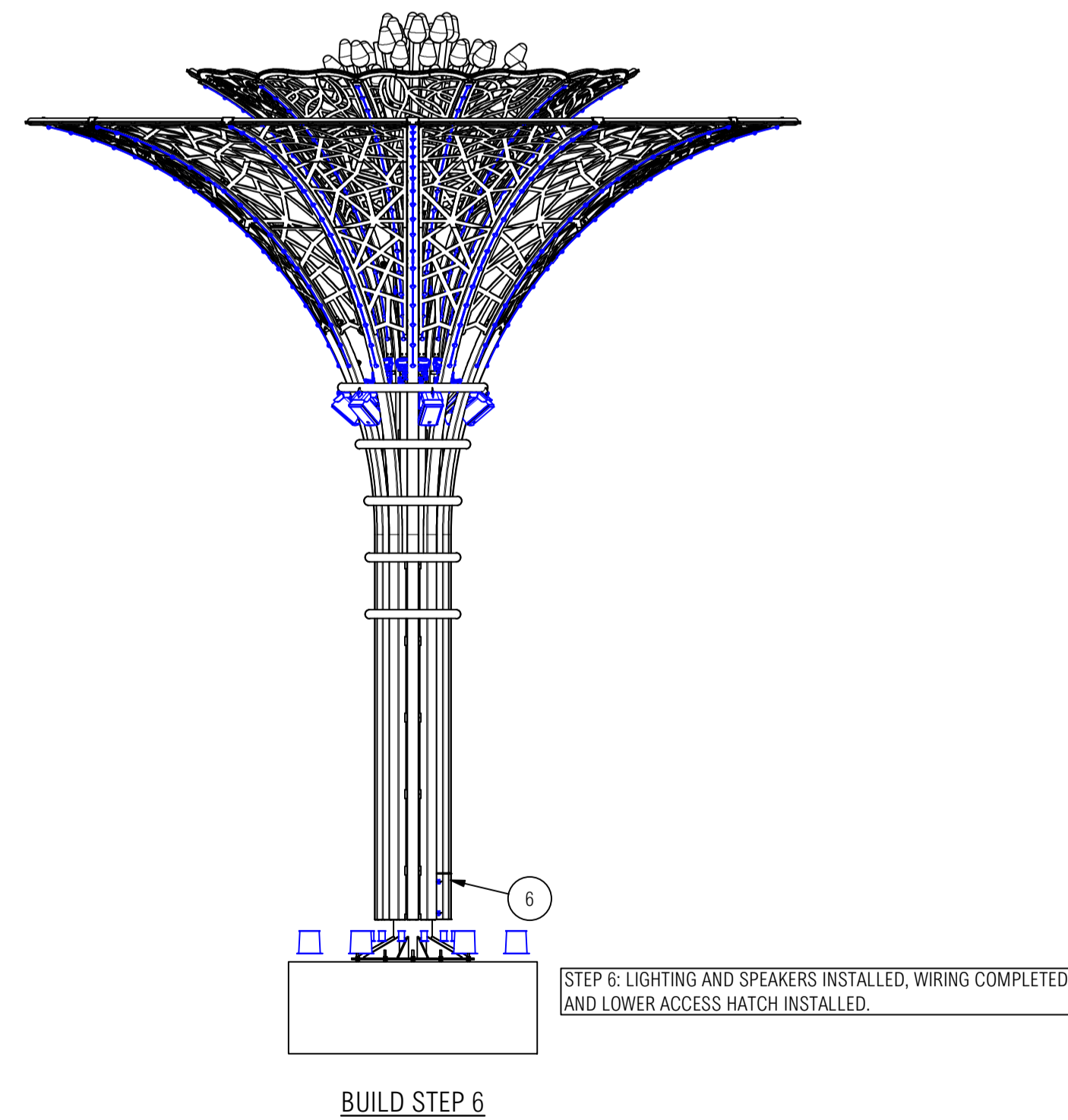
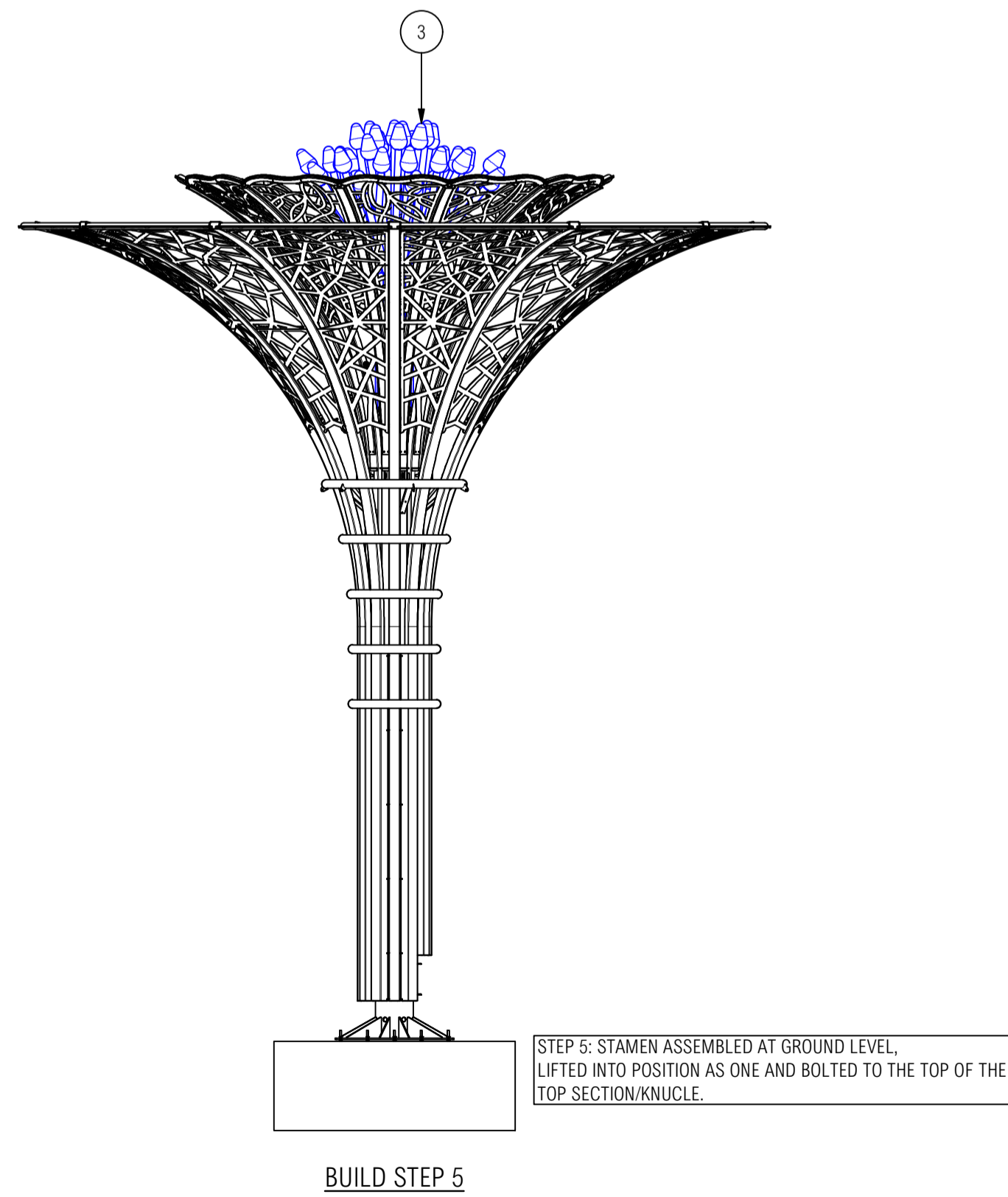
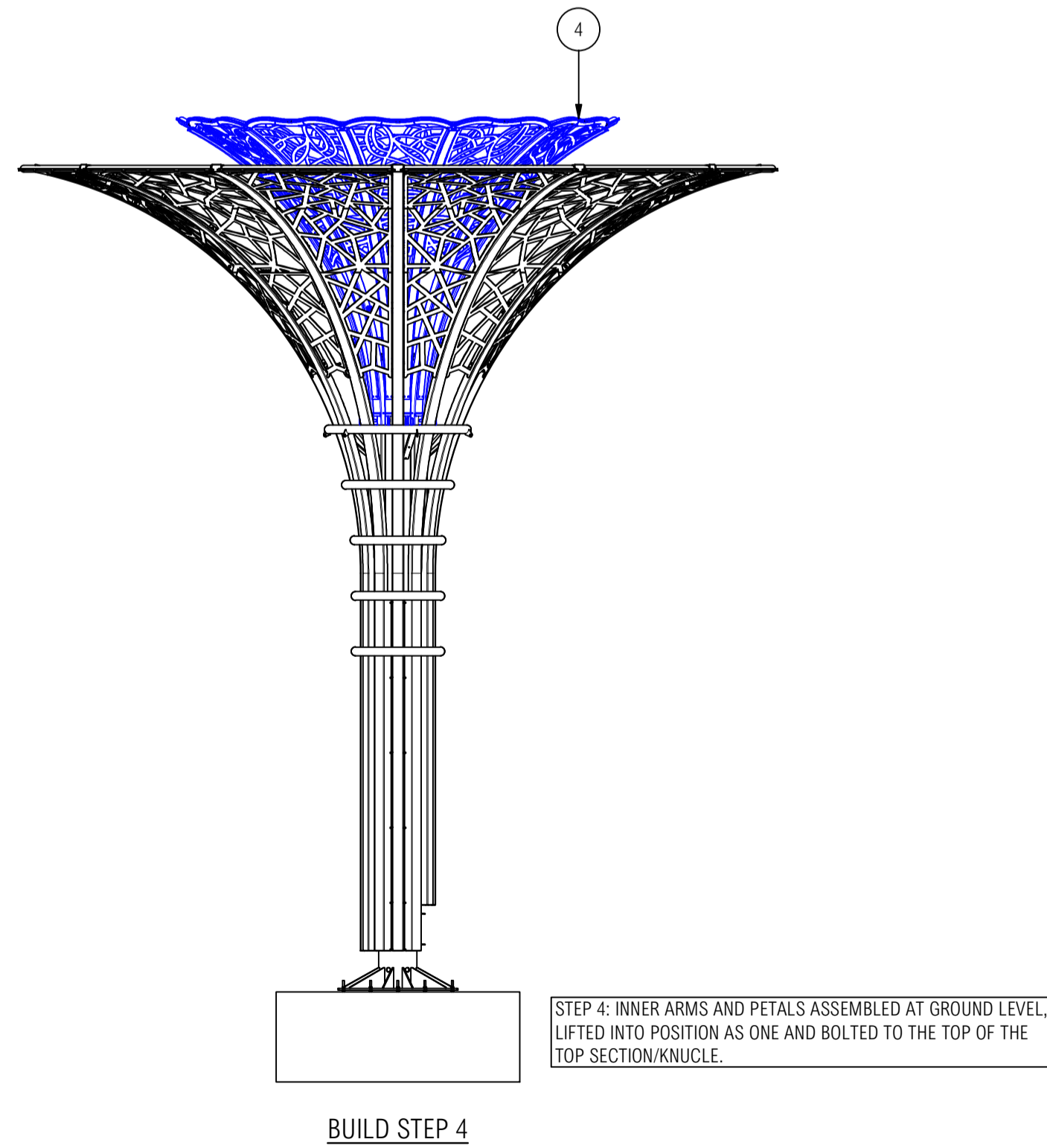
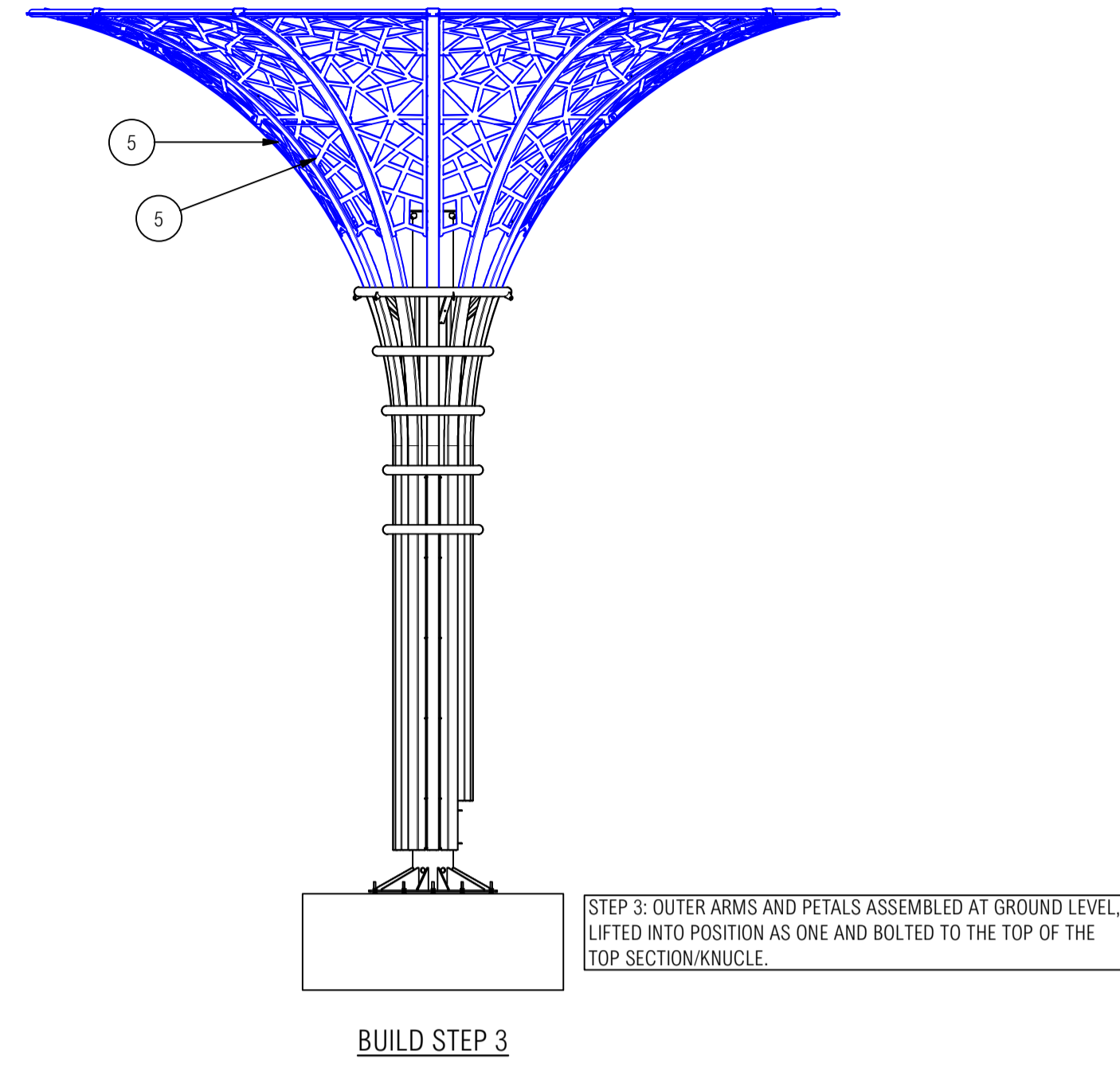
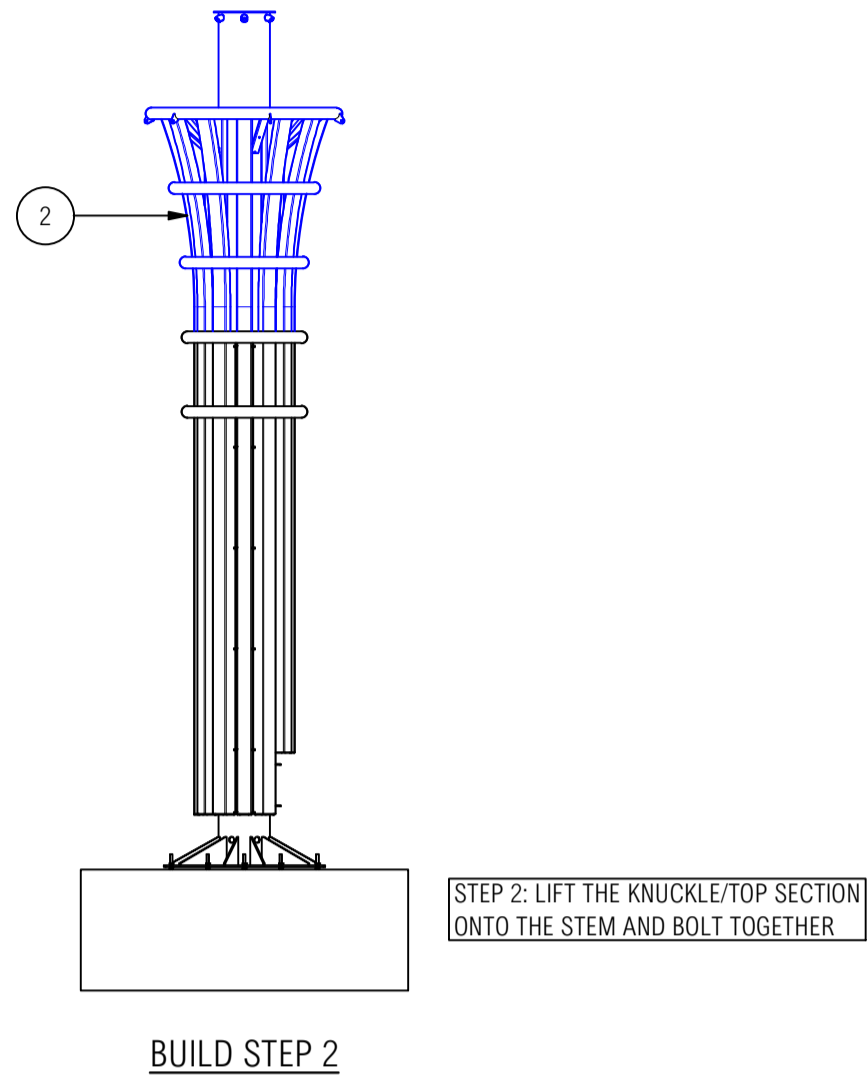
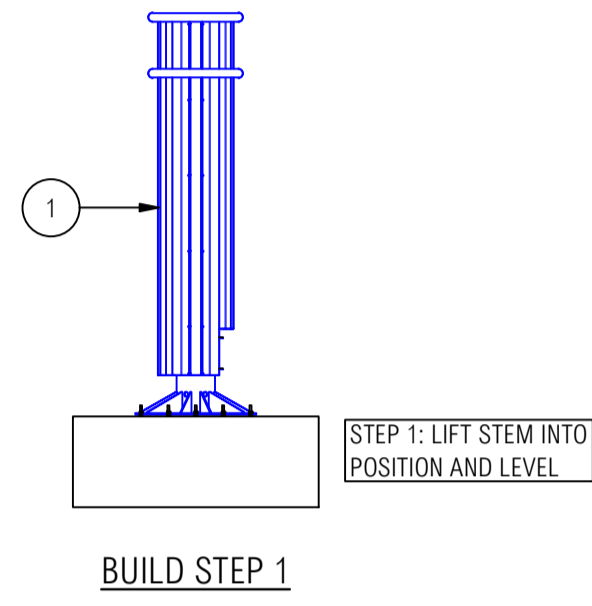
REV	ISSUED FOR REVIEW	DESCRIPTION	ON	11/04/2025

REVISION HISTORY					
	CLIENT:	WILLMOTT DIXON CONSTRUCTION	PROJECT:	THREE YORKSHIRE ROSES	
	GROUP:	BB - 12M ROSES			
	SUBGROUP:	00 - GA			
DRAWING TYPE:	GA	DRAWN BY:	ON	PROJECTION:	
DRAWING SIZE:	A1	DRAWING SCALE:	1 : 50		
DRAWING TITLE:	12M ROSE GA			SHEET NO:	2 / 4
DRAWING NUMBER:	ROS0825-BB00-0001			REVISION:	A

T | +44 (0)1423 358 001
E | sales@stageone.co.uk
W | www.stageone.co.uk

THIS DRAWING IS THE COPYRIGHT OF STAGE ONE CREATIVE SERVICES LTD AND SHALL NOT BE DISCLOSED OR COPIED WITHOUT WRITTEN CONSENT

INSTALLATION SEQUENCE

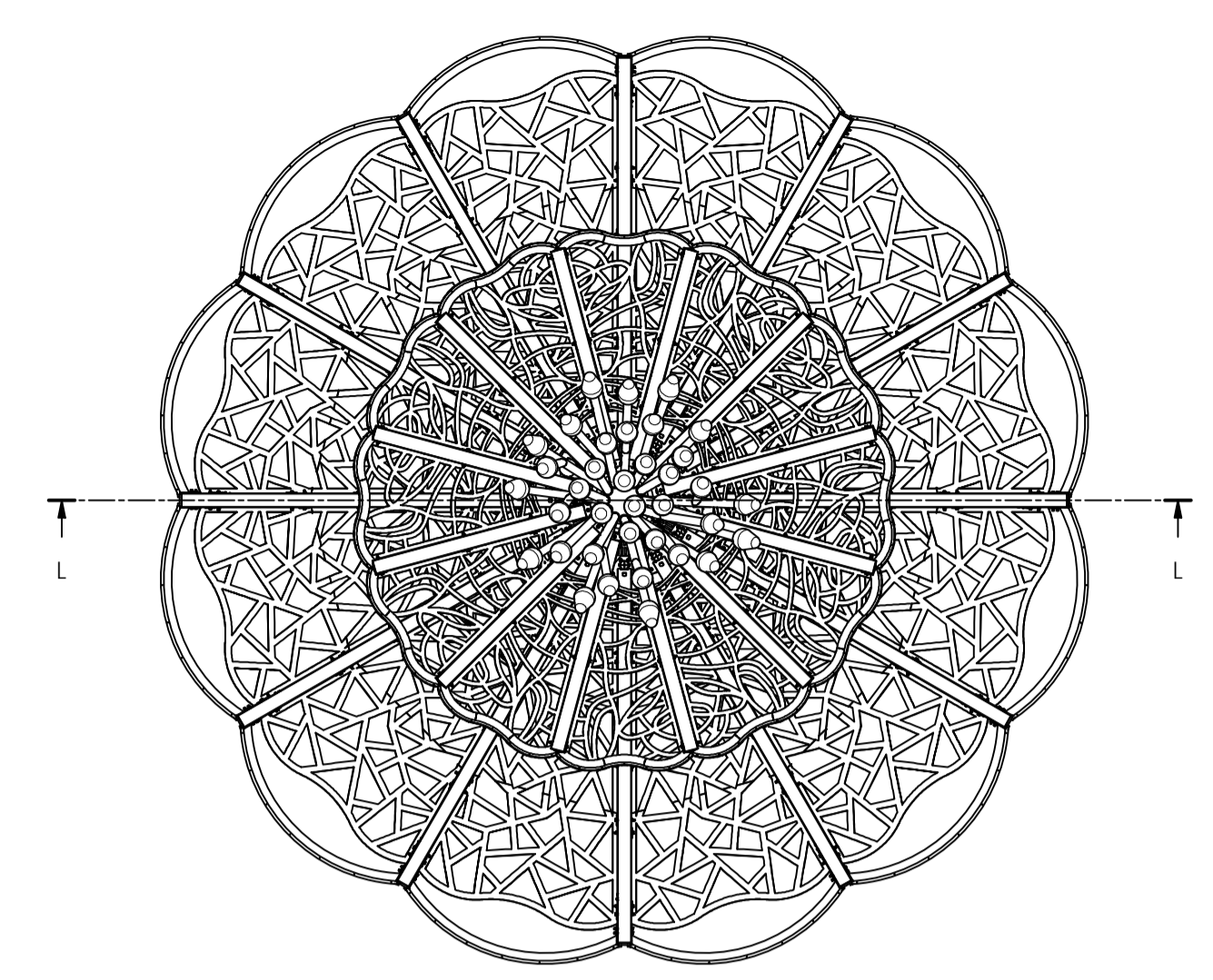


ITEM LIST			
ITEM	PART NUMBER	DESCRIPTION	QTY
1	ROS0825-BB01-0001	COLUMN AND BASE PLATE	1
2	ROS0825-BB02-0001	COLUMN TOP SECTION	1
3	ROS0825-BB03-0001	CENTRAL STAMEN	1
4	ROS0825-BB04-0001	INNER ARMS AND FRETWORK	1
5	ROS0825-BB05-0001	OUTER ARMS AND FRETWORK	1
6	ROS0825-AA07-0001	ACCESS HATCH	1
33	ROS0825-EXTR-0082	ARCPX II 17 STRING	12

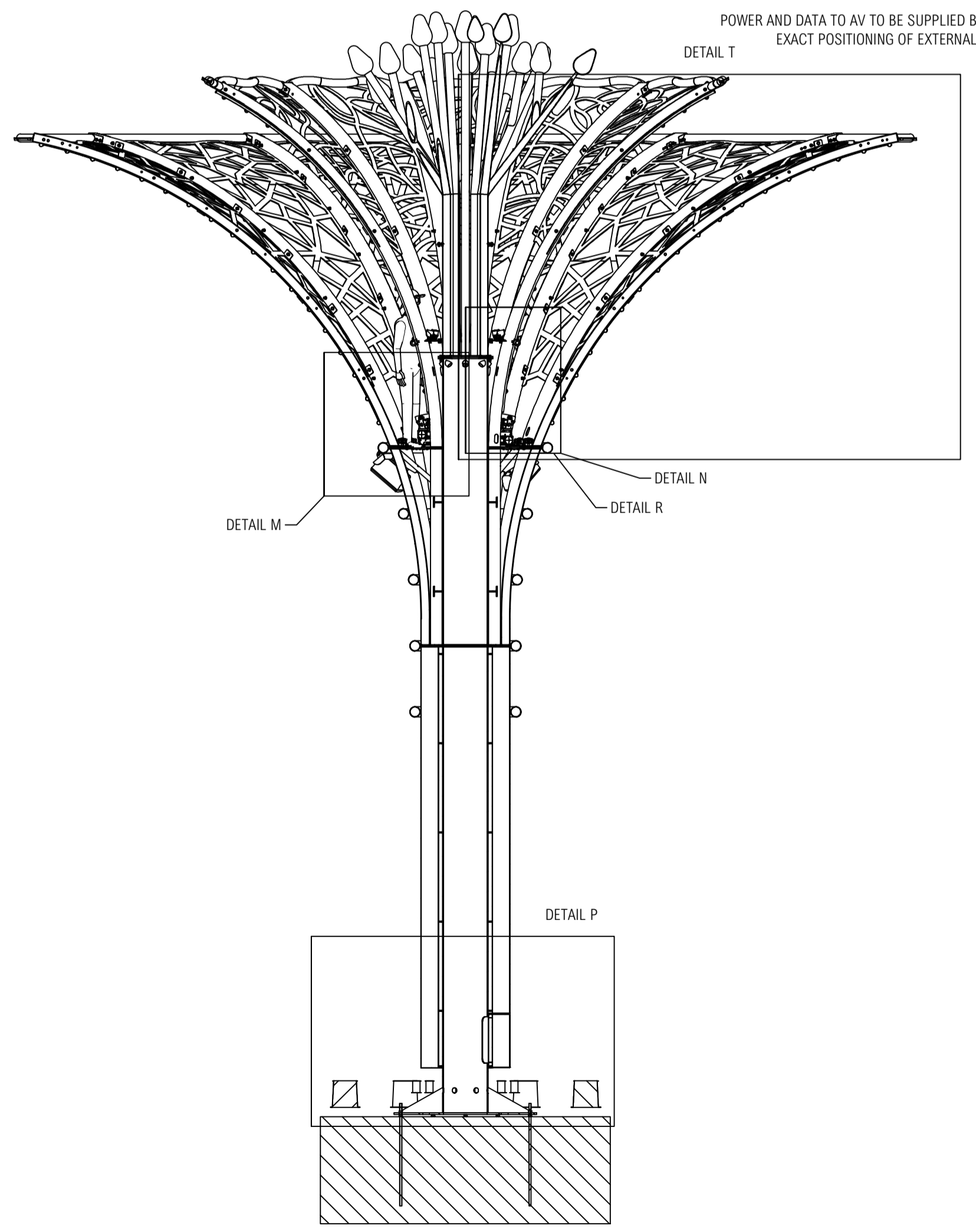
- GENERAL NOTES**
- IF IN DOUBT - ASK!
 - ALL DIMENSIONS ARE IN mm UNLESS STATED OTHERWISE.
 - ALL LINEAR DIMENSIONS TO BE ± 1 mm UNLESS STATED OTHERWISE.
 - ALL FASTENERS TO BE GRADE 8.8
 - SCULPTURES ARE CONSTRUCTED FROM MILD STEEL GRADE S355 - GALVANISED TO EN ISO 1461:2009
 - FINISH DETAILS
- STEM INCLUDING TOP SECTION:** MID-GREY GLOSS ISO 12944 C5VH ANTI CORROSION PAINT - JOTUN HARD TOP OPTIMA - RAL TBC
- PETALS:** WHITE GLOSS ISO 12944 C5VH ANTI CORROSION PAINT - JOTUN PENGUARD UNIVERSAL WHITE
- STAMEN:** LIGHT-GREY GLOSS ISO 12944 C5VH ANTI CORROSION PAINT - JOTUN HARD TOP OPTIMA - RAL TBC
- ORANGE GLOSS ISO 12944 C5VH ANTI CORROSION PAINT - JOTUN HARD TOP OPTIMA - RAL TBC
- SHEETS:**
 SHEET 1: OVERALL AND ACCESS DETAILS
 SHEET 2: INDIVIDUAL ASSEMBLIES
 SHEET 3: INSTALL STEPS
 SHEET 3: CABLE ROUTING

REV	ISSUED FOR REVIEW	DESCRIPTION	ON	11/04/2025

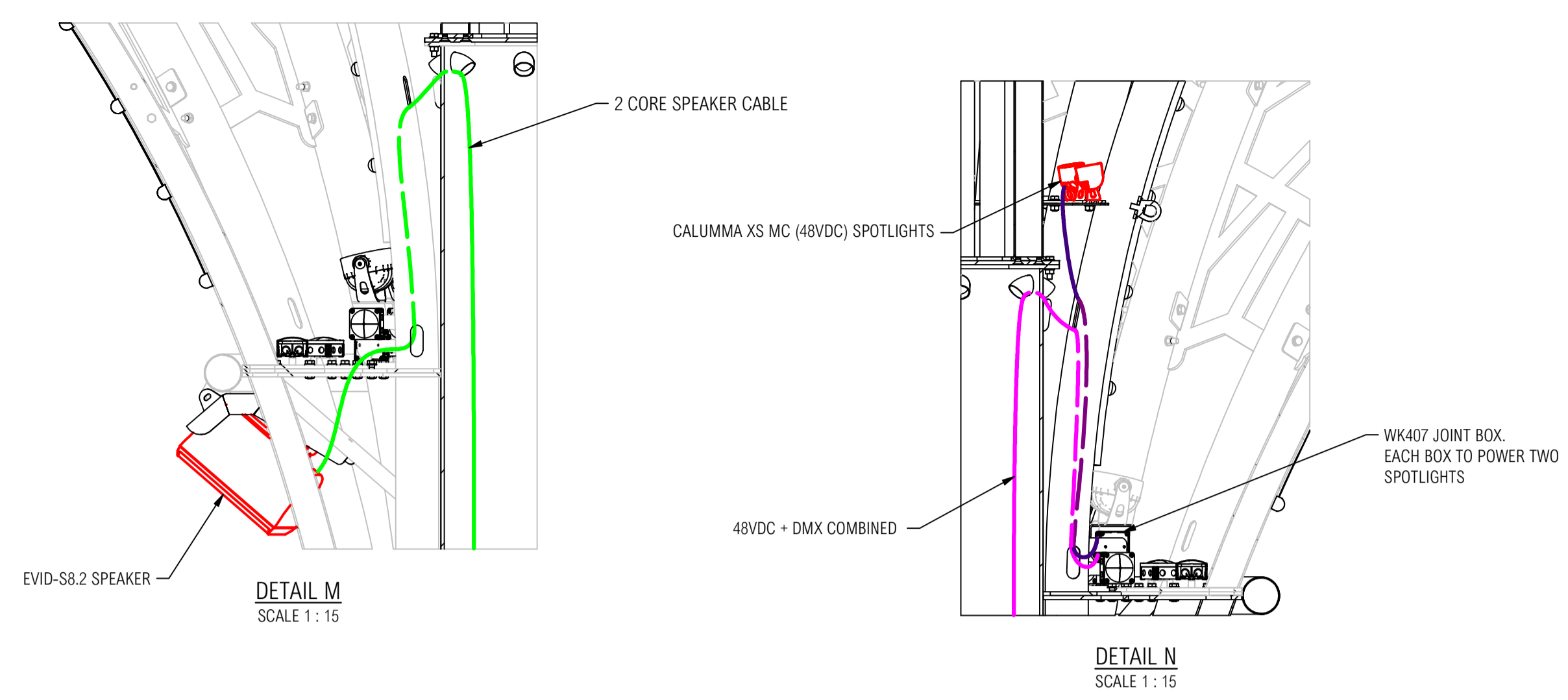
REVISION HISTORY				
<p>T +44 (0)1423 358 001 E sales@stageone.co.uk W www.stageone.co.uk</p>	CLIENT:	WILLMOTT DIXON CONSTRUCTION	PROJECT:	THREE YORKSHIRE ROSES
	GROUP:	BB - 12M ROSES		
	SUBGROUP:	00 - GA		
	DRAWING TYPE:	GA	DRAWN BY:	ON
DRAWING TITLE:	12M ROSE GA			DRAWING SCALE:
				1 : 100
				SHEET NO:
				3 / 4
				DRAWING NUMBER:
				ROS0825-BB00-0001
				REVISION:
				A



PLAN

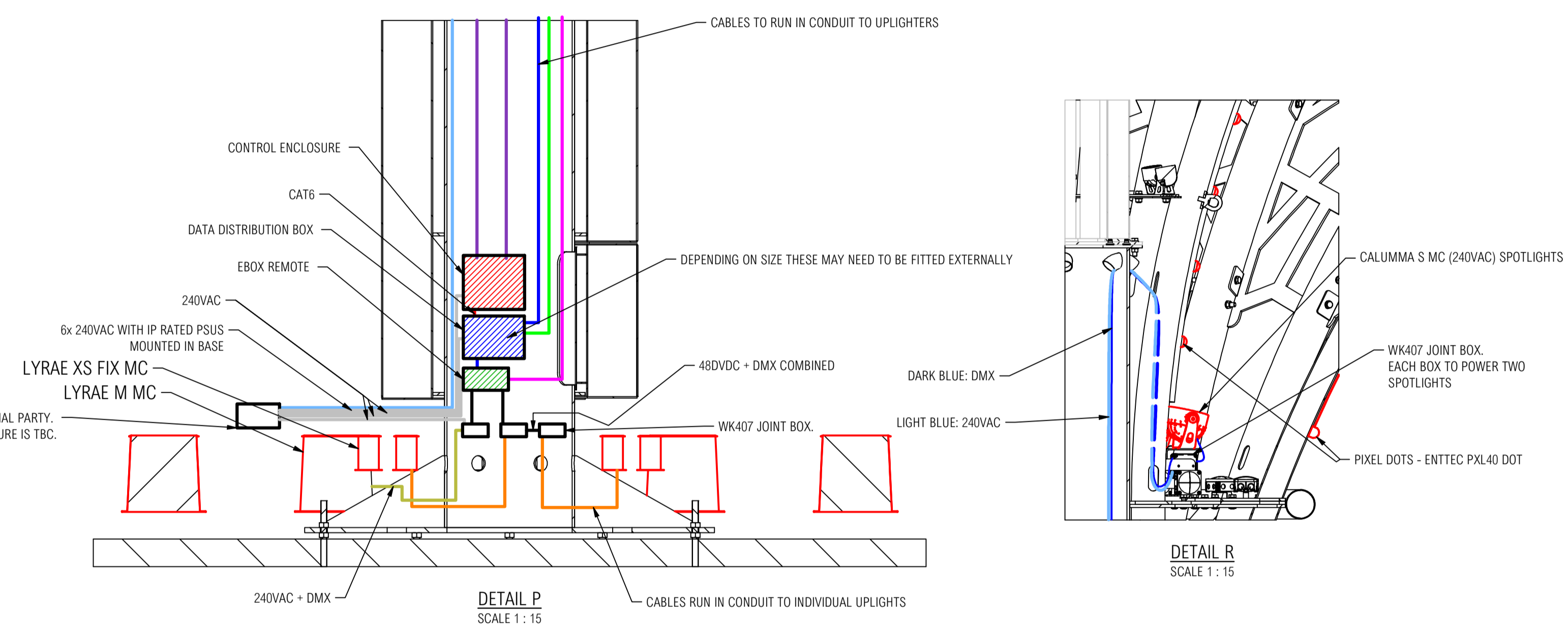


SECTION L - L



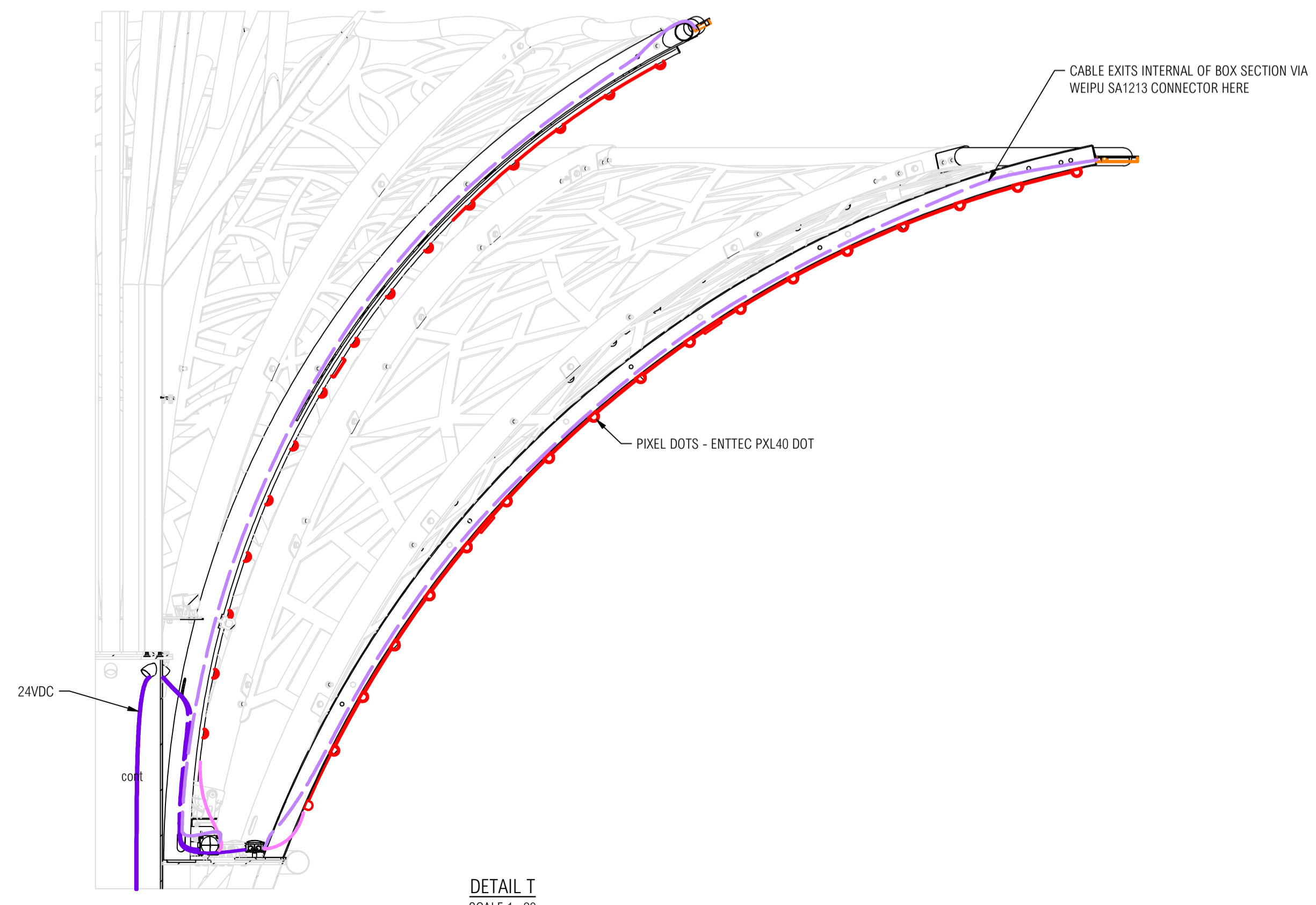
DETAIL M
SCALE 1:15

DETAIL N
SCALE 1:15



DETAIL P
SCALE 1:15

DETAIL R
SCALE 1:15



DETAIL T
SCALE 1:20

ITEM LIST			
ITEM	PART NUMBER	DESCRIPTION	QTY
1	ROS0825-BB01-0001	COLUMN AND BASE PLATE	1
2	ROS0825-BB02-0001	COLUMN TOP SECTION	1
3	ROS0825-BB03-0001	CENTRAL STAMEN	1
4	ROS0825-BB04-0001	INNER ARMS AND FRETWORK	1
5	ROS0825-BB05-0001	OUTER ARMS AND FRETWORK	1
6	ROS0825-AA07-0001	ACCESS HATCH	1
33	ROS0825-EXTR-0082	ARCPX II 17 STRING	12

GENERAL NOTES

- IF IN DOUBT - ASK!
 - ALL DIMENSIONS ARE IN mm UNLESS STATED OTHERWISE.
 - ALL LINEAR DIMENSIONS TO BE ± 1mm UNLESS STATED OTHERWISE.
 - ALL FASTENERS TO BE GRADE 8.8
 - SCULPTURES ARE CONSTRUCTED FROM MILD STEEL GRADE S355 - GALVANISED TO EN ISO 1461:2009
 - FINISH DETAILS
- STEM INCLUDING TOP SECTION:** MID-GREY GLOS ISO 12944 C5VH ANTI CORROSION PAINT - JOTUN HARD TOP OPTIMA - RAL TBC
- PETALS:** WHITE GLOSS ISO 12944 C5VH ANTI CORROSION PAINT - JOTUN PENGUARD UNIVERSAL WHITE - RAL TBC
- STAMEN:**
- LIGHT-GREY GLOSS ISO 12944 C5VH ANTI CORROSION PAINT - JOTUN HARD TOP OPTIMA - RAL TBC
- ORANGE GLOSS ISO 12944 C5VH ANTI CORROSION PAINT - JOTUN HARD TOP OPTIMA - RAL TBC
- SHEETS:**
 SHEET 1: OVERALL AND ACCESS DETAILS
 SHEET 2: INDIVIDUAL ASSEMBLIES
 SHEET 3: INSTALL STEPS
 SHEET 3: CABLE ROUTING

REV	ISSUED FOR REVIEW	DESCRIPTION	ON	11/04/2025
REV			DRN	DATE

REVISION HISTORY				
CLIENT: WILLMOTT DIXON CONSTRUCTION		PROJECT: THREE YORKSHIRE ROSES		
GROUP: BB - 12M ROSES				
SUBGROUP: 00 - GA				
DRAWING TYPE: GA	DRAWN BY: ON	PROJECTION:	DRAWING SIZE: A1	DRAWING SCALE: 1:75
DRAWING TITLE: 12M ROSE GA				SHEET NO: 4 / 4
DRAWING NUMBER: ROS0825-BB00-0001				REVISION: A

T | +44 (0)1423 358 001
 E | sales@stageone.co.uk
 W | www.stageone.co.uk

THIS DRAWING IS THE COPYRIGHT OF STAGE ONE CREATIVE SERVICES LTD AND SHALL NOT BE DISCLOSED OR COPIED WITHOUT WRITTEN CONSENT