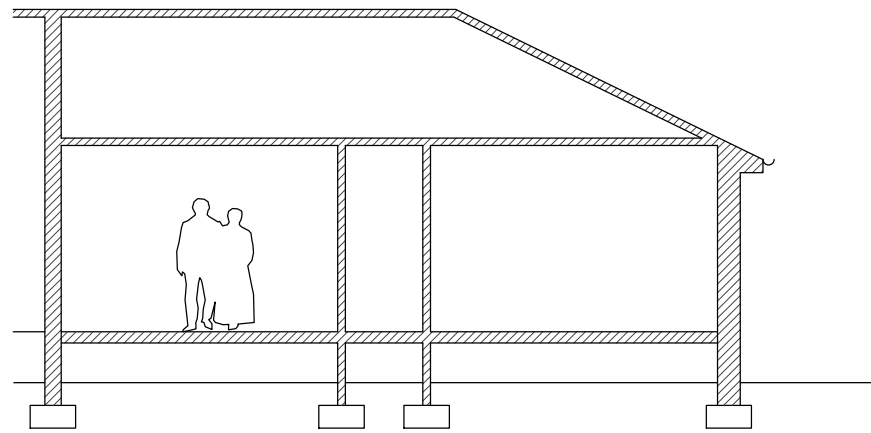
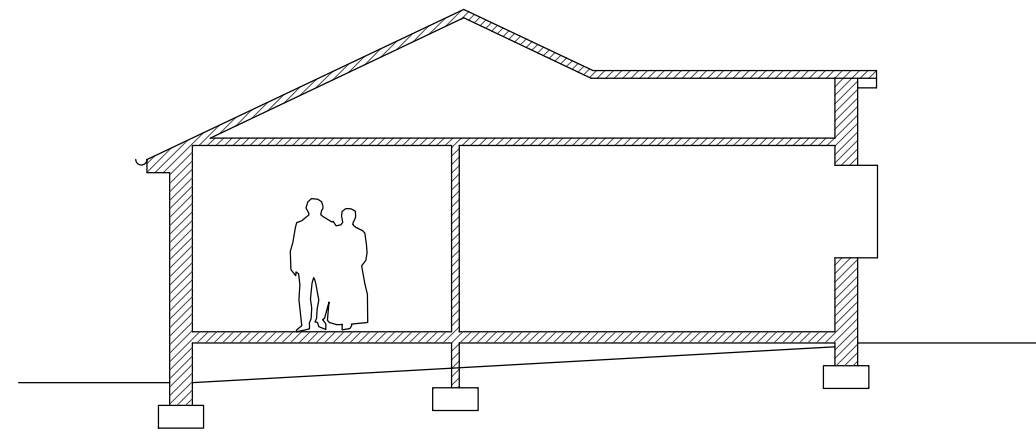


Front Elevation Existing 1:100

- Materials Key**
- ① Masonry.
Colour : Red.
 - ② Double Glazed uPVC Windows & Doors.
Colour : White.
 - ③ Double Roman Concrete Roof Tiles.
Colour : Grey.
 - ④ uPVC Fascia, Soffit & Guttering.
Colour : White.
 - ⑤ Cast Iron SVP
Colour : Black
 - ⑥ Rendered masonry, Painted finish.
Colour : Cream
 - ⑦ Stone Cladding
Colour : Buff



Section 1-1 Through Existing 1:100



Section 2-2 Through Existing 1:100