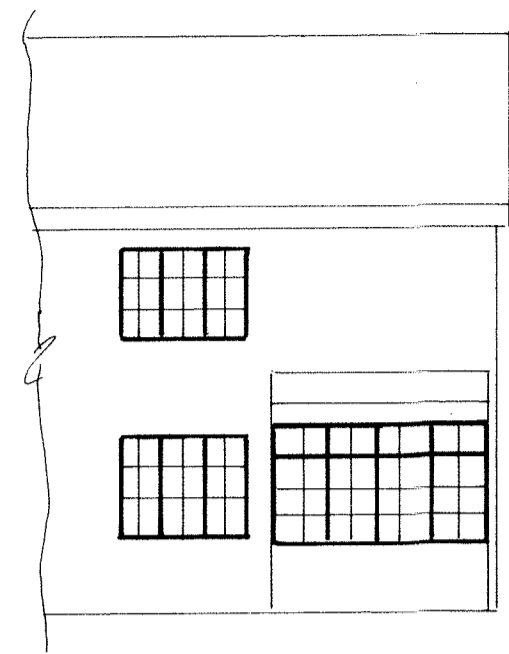
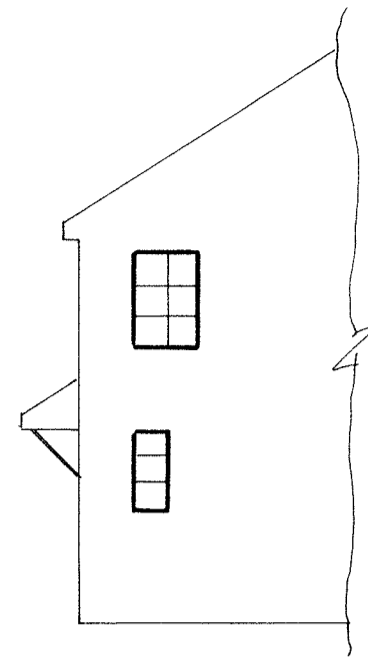


EXISTING FRONT ELEVATION



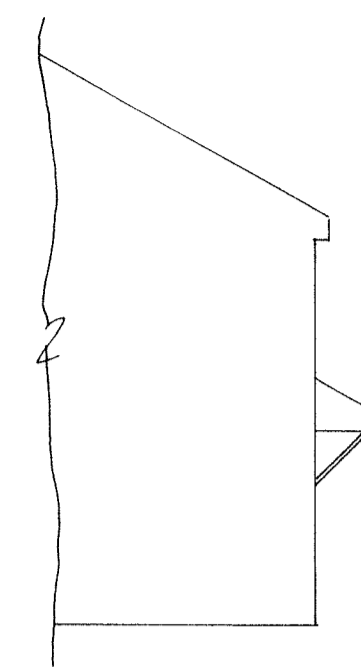
PROPOSED FRONT ELEVATION



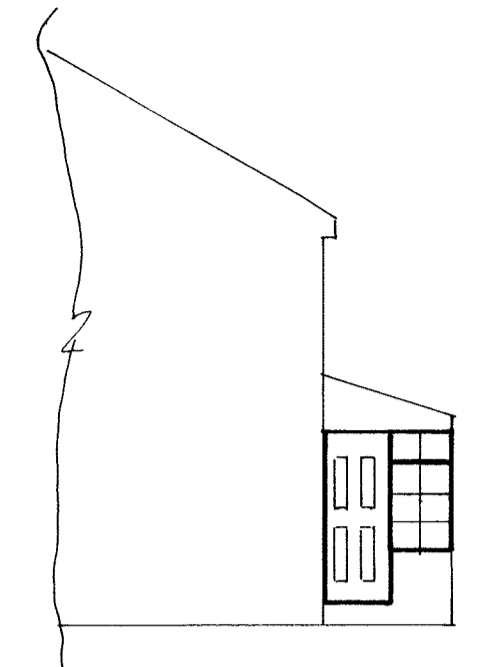
EXISTING SIDE ELEVATION



PROPOSED SIDE ELEVATION

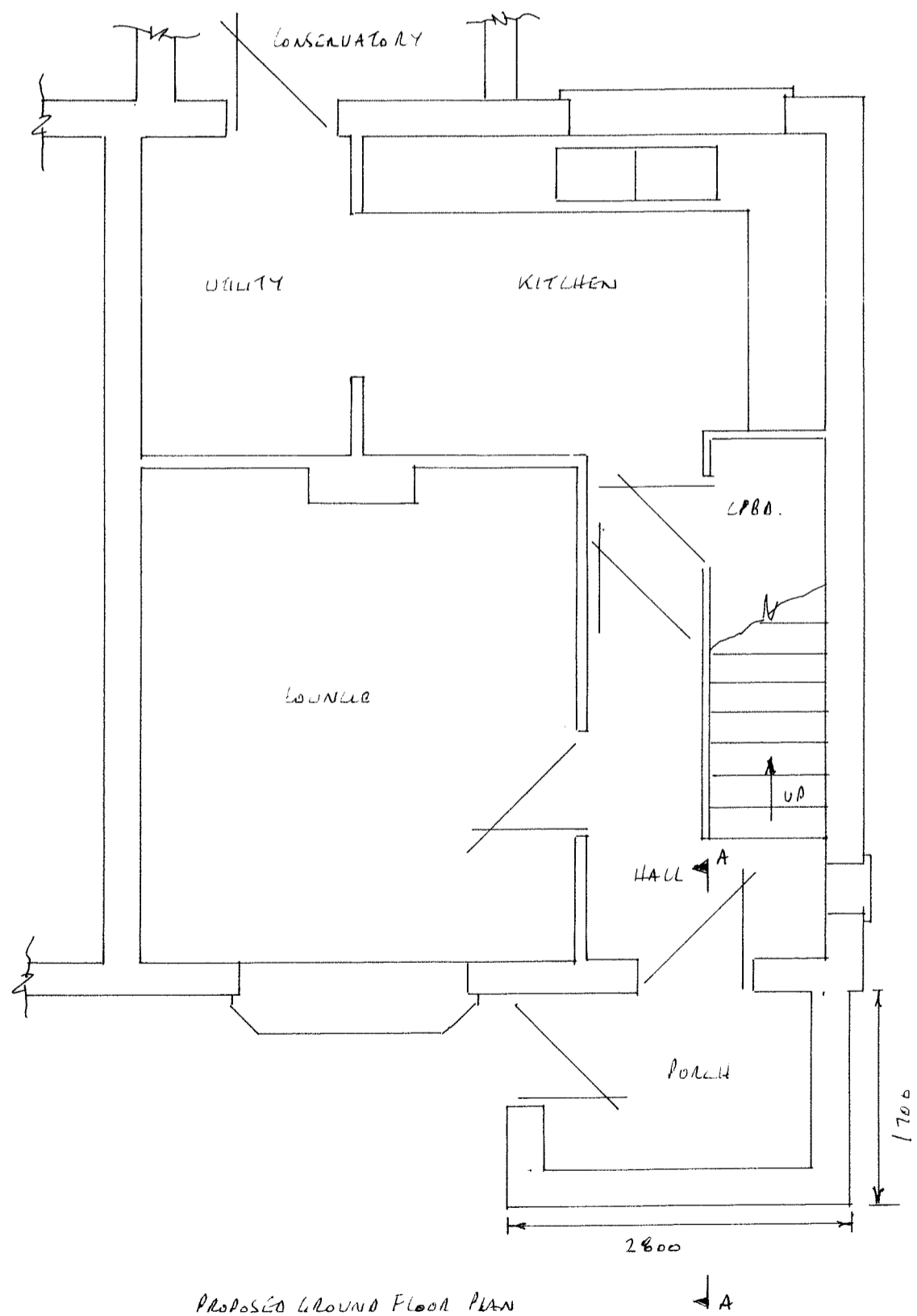


EXISTING SIDE ELEVATION



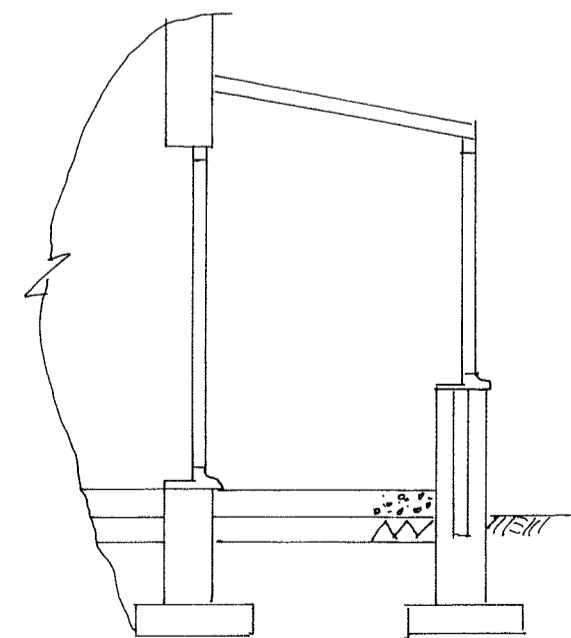
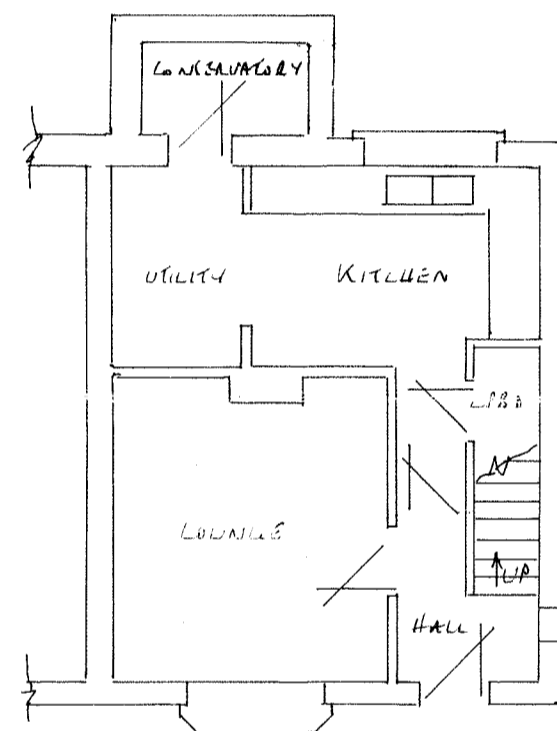
PROPOSED SIDE ELEVATION

ELEVATIONS SCALE 1:100

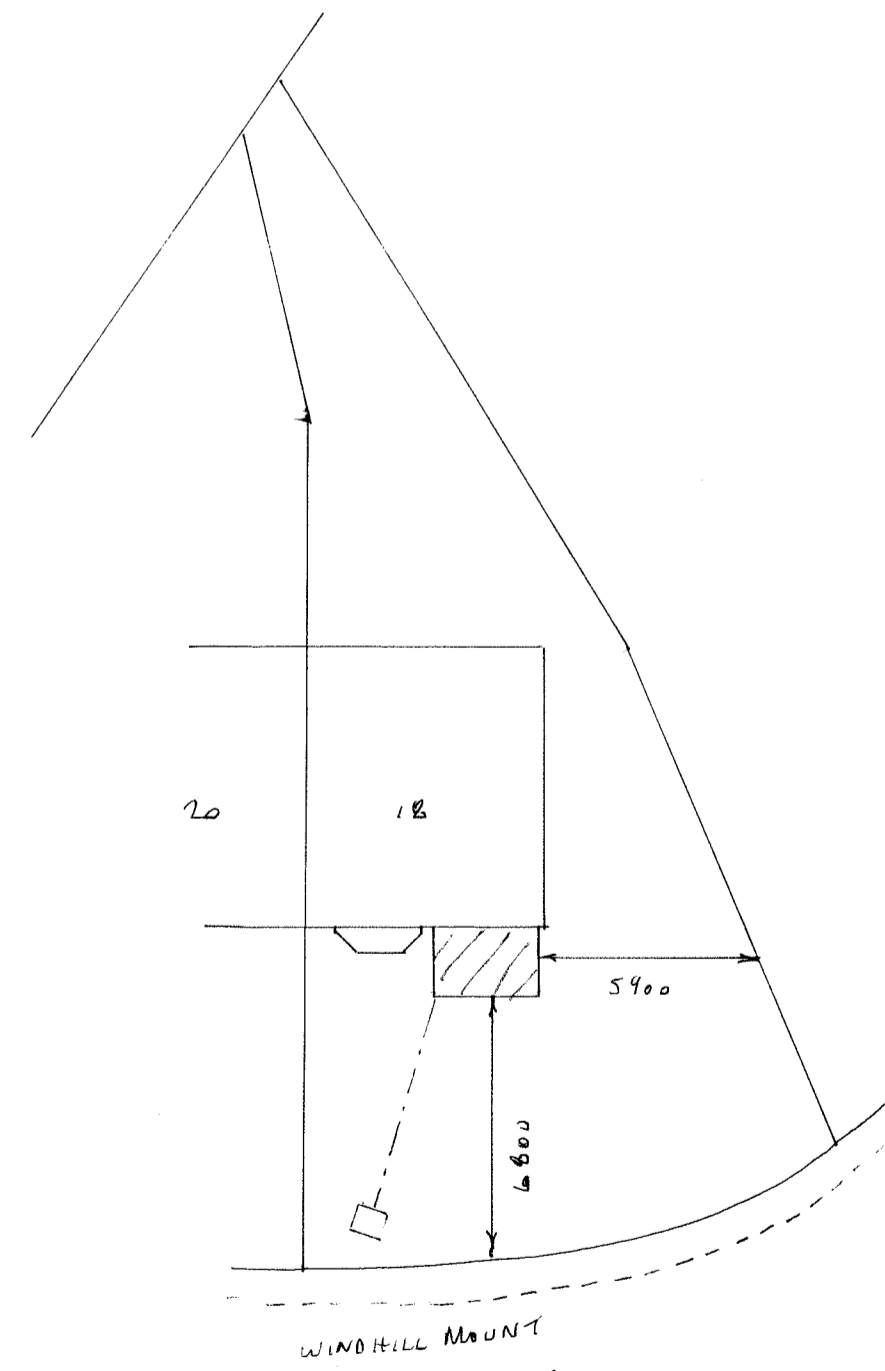


PROPOSED GROUND FLOOR PLAN

SCALE 1:50



SECTION THRO 'A-A' SCALE 1:50



WINDHILL MOUNT

SITE PLAN SCALE 1:200

FOUNDATIONS

- 600 x 150mm CONC STRIP DEPTH 750mm SUBJECT TO LA APPROVAL

WALLS

- TRENCH BLOCKS BELOW G.L. • EXTERNAL CLADDING TO MATCH EXISTING • 100mm LW CONC. BLOCKS • 100mm GAUITY FILLED WITH DETERMIN INSULATION BATTE • HORIZONTAL DPE 150mm MIN ABOVE G.L. 150mm DPE'S TO REVEALS
- STAINLESS STEEL TIEWIRES PLACED 750mm HORIZONTALLY 450mm VERTICALLY & 225mm TO REVEALS

Roof

- SUPALITE ROOF TO MANUFACTURERS SPECIFICATION

FLOOR

- 150mm WELL COMPACTED CONCRETE • 25mm SAND BLINDING
- 1200 GAUGE VISQUEEN DPM • 150mm CONCRETE FINISH

DRAINS

- 100mm RWL & 65mm RWP TO MATCH EXISTING • SW TO CONNECT TO SOAKAWAY 5m AWAY FROM BUILDING & 1m<sup>3</sup> BELOW INVERT LEVEL

GENERAL

- ALL ELECTRICAL WORK TO MEET REQUIREMENTS OF PART P ELECTRICAL SAFETY & MUST BE DESIGNED, INSTALLED, INSPECTED & TESTED BY A COMPETENT PERSON REGISTERED UNDER THE COMPETENT PERSON SCHEME. A COPY OF THE BUILDING REGS SELF CERTIFICATE REQUIRED ON COMPLETION
- ALL EXTENSIONS TO THE HEATING SYSTEM TO BE DONE BY A GAS SAFE ENGINEER • LOD & S LOAD FLASHING TO ROOF

PROPOSED FRONT PORCH EXTENSION AT:-

18 WINDHILL MOUNT

STAINLESS BARNSLEY