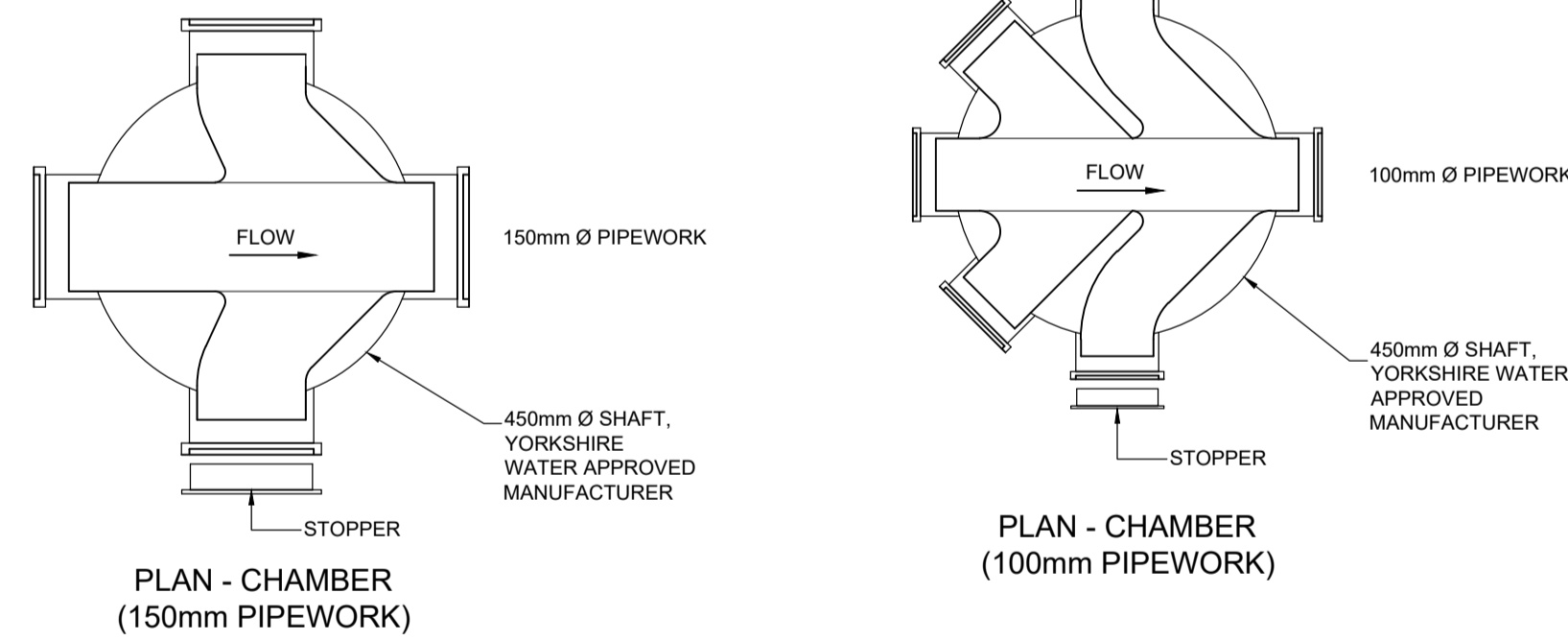
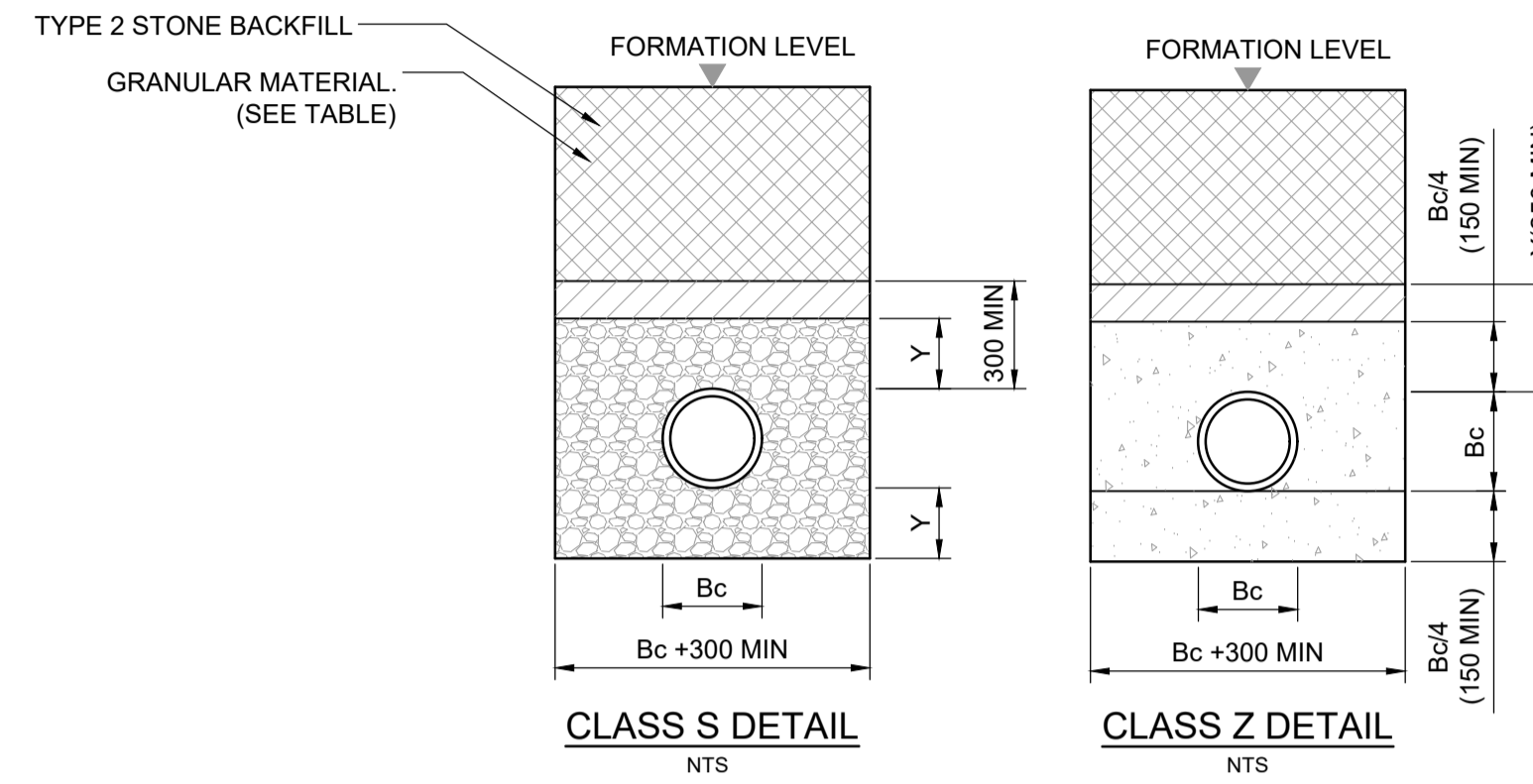


SECTIONAL ELEVATION



DEMARCATION CHAMBER CONSTRUCTION DETAIL
POLYPROPYLENE INSPECTION CHAMBER (PPIC)
SCALE 1:10



NOTE:

A) Bc = OUTSIDE DIAMETER OF PIPE BARREL

B) Y = FOR UNIFORM SOILS:

Y = Bc/6, WITH MIN. 100mm UNDER BARRELS (MIN. 50mm FOR SLEEVE JOINTED) AND Bc/6 OR MIN. 50mm UNDER SOCKETS, WHICHEVER IS THE GREATER, WITH MAX. OF 400mm

C) Y = FOR ROCK OR MIXED SOILS CONTAINING ROCK BANDS, BOULDERS, STONES OR OTHER IRREGULAR HARD SPOTS:

Y = Bc/4, WITH MIN. 200mm UNDER BARRELS (MIN. 150mm FOR SLEEVE JOINTED) AND Bc/4 OR MIN. 150mm UNDER SOCKETS, WHICHEVER IS THE GREATER, WITH MAX. OF 400mm

NOMINAL PIPE DIA (mm)	SINGLE SIZED (mm)	GRADED (mm)
100	10	N/A
OVER 100 TO 150	10 OR 14	14 TO 5
OVER 150 TO 300	10, 14 OR 20	14 TO 5 OR 20 TO 5
OVER 300 TO 550	14 OR 20	14 TO 5 OR 20 TO 5
GREATER THAN 550	14, 20 OR 40 Crushed Rock	14 TO 5, 20 TO 5 OR 40 TO 5

NOTES:

- THESE NOTES ARE INTENDED TO AUGMENT DRAWINGS AND SPECIFICATIONS. WHERE CONFLICT OF REQUIREMENTS EXIST THE ORDER OF PRECEDENCE SHALL BE AS SHOWN IN THE SPECIFICATION. OTHERWISE THE STRICTEST PROVISION SHALL GOVERN.
- THIS DRAWING IS TO BE READ IN CONJUNCTION WITH ALL OTHER RELEVANT ENGINEERS AND ARCHITECTS DRAWINGS.
- DRAWINGS NOT TO BE SCALED. ALL DIMENSIONS TO BE CHECKED ON SITE BY THE CONTRACTOR. ANY DISCREPANCIES TO BE NOTIFIED TO THE ENGINEER AND FURTHER INSTRUCTIONS OBTAINED BEFORE WORK IS COMMENCED.
- ALL LEVELS ARE AOD (ABOVE ORDINANCE DATUM) UNO.

YORKSHIRE WATER NOTES:

- ALL ADAPTABLE SEWER WORKS AND MATERIAL TO BE IN ACCORDANCE WITH 'CODE FOR ADOPTION'. THE RELEVANT BRITISH/EUROPEAN AND YORKSHIRE WATER'S STANDARDS/REQUIREMENTS/ADDENDUM TO THE MECHANICAL AND ELECTRICAL SPECIFICATION AND KITEMARKED.
- MANHOLE COVERS SHALL MUST HAVE A CLEAR OPENING OF 600mm AND SHALL BE CLASS D400 TO BS EN 124 WITH 150mm DEEP FRAMES IN HIGHWAYS.
- FILLED GROUND MUST BE FILLED AND CONSOLIDATED UNDER THE SUPERVISION AND TO THE SATISFACTION OF YORKSHIRE WATER BEFORE ANY SEWER WORKS ARE CARRIED OUT.
- YORKSHIRE WATER IS NOT OBLIGED TO ACCEPT FILTER DRAINLAND DRAINAGE RUN-OFF INTO THE PUBLIC SEWER NETWORK OR ADAPTABLE DRAINAGE SYSTEM (DIRECTLY OR INDIRECTLY). AN ALTERNATIVE METHOD OF DISPOSAL OF THE LAND DRAINAGE RUN-OFF WILL THEREFORE BE REQUIRED AND YOU WILL HAVE TO LIAISE WITH THE LOCAL AUTHORITY, LAND DRAINAGE SECTION REGARDING THE DISPOSAL OF THE FILTER DRAINLAND DRAINAGE RUN-OFF.
- THE ADAPTABLE SEWERS SHOULD BE A MINIMUM OF 1m AND MANHOLES 0.5m FROM KERB FACES AND SERVICE MARGINS.
- SEWERS MUST HAVE 5 METRES CLEARANCE FROM TREES AND HEDGES OR THE WIDTH OF THE CANOPY AT MATURE HEIGHT.
- SEWERS TO BE LAID IN CLASS 'S' BEDDING (150mm GRANULAR BED AND SURROUND), WHERE DEPTH OF COVER TO TOP OF THE SEWER IS LESS THAN 1.2m IN HIGHWAYS AND VERGES (OR LESS THAN 900mm IN NONVEHICULAR ACCESS AREAS) THEN A CONCRETE SLAB SHOULD BE PROVIDED ABOVE GRANULAR BED AND SURROUND.
- BEDDING AND BACKFILL MATERIAL TO CONFORM TO THE REQUIREMENT OF WATER INDUSTRY SPECIFICATION 4-08-02 (TABLE A2).
- YORKSHIRE WATER POLICY IS THAT TYPE 'C' BRICK MANHOLES AND 1050mm DIAMETER MANHOLE RINGS ARE NOT PREFERRED. INSTEAD, IT IS PREFERRED THAT YOU USE A TYPE 'B' MANHOLE WITH 1000mm DIAMETER OR 1500mm DIAMETER RINGS, WITH THE OPENING SITED OVER THE CHANNEL WHERE DEPTH OF COVER TO PIPE SOFFIT IS 1 - 1.5m.
- ADAPTABLE PLASTIC SEWER PIPES TO BE BS1 KITEMARKED (CERTIFIED TO WIS 4-35-01 AND BS EN13476). ADAPTABLE PLASTIC SEWER PIPES TO BE LAID IN MAXIMUM 3 METRE LENGTHS UNLESS THERE IS A SPECIFIC OPERATIONAL NEED TO LAY LONGER LENGTHS. PLASTIC CHANNEL SECTIONS IN MANHOLES ARE NOT ACCEPTABLE AND YORKSHIRE WATER WOULD REQUIRE CLAY WARE CHANNEL IN MANHOLES.
- THE MINIMUM CRUSHING STRENGTH FOR CLAY PIPES SHOULD BE AS FOLLOWS: 100mm DIA. 40kN/m. 150mm DIA. 40kN/m. 225mm DIA. 45kN/m AND 300mm DIA. 72kN/m. THE MINIMUM CRUSHING STRENGTH FOR CONCRETE PIPES SHOULD BE (CLASS 120 TO EN 15196/BS EN 11-1-200). PLASTIC PIPES SHOULD CONFORM TO WIS 4-35-01 AND BS EN13476.
- WHERE A B125 COVER AND FRAME HAS BEEN APPROVED, THIS MUST NOT BE COATED IN PLASTIC AND MUST HAVE LIFTING EYES SUITABLY SIZED TO ACCOMMODATE STANDARD LIFTING KEYS. SCREW DOWN COVERS ARE NOT ACCEPTABLE.
- THERE MUST BE ENOUGH CLEARANCE AT CROSSOVERS TO ACCOMMODATE BEDDING TO BOTH PIPES, APPROX. 300mm - IF CROSSOVER IS NEAR THE ROCKER THEN THE CLEARANCE NEEDED MAY NEED TO BE INCREASED.

PO1	FIRST ISSUE	19.05.26	MJC	SC	--
Rev	Description	Date	By	Chk	App

www.alanwood.co.uk

Locations:
Hull
Leeds
Lincoln
Scarborough
Sheffield
Stockton-on-Tees
York

Issuing Office:
Hull Office
341 Beverley Road
Hull
HU5 1LD

eng@alanwood.co.uk
T. 01482 442138

Project:	PROPOSED DEVELOPMENT AT LAND OFF WAREMILL GARDENS, PENISTONE				
Client:	MULGRAVE PROPERTY GROUP LTD				
Drawing:	SECTION 185 - DRAINAGE DETAILS				
Role:	CIVIL ENGINEER				
Drawing Status:	FOR APPROVAL				Suitability Code: S3
Job. no.	47480	Scale@ A1:	AS NOTED	Rev.	PO1
Project	Originator	Zone	Level	Type	Role
MDL - AWP	ZZ	XX	DR	C	3370