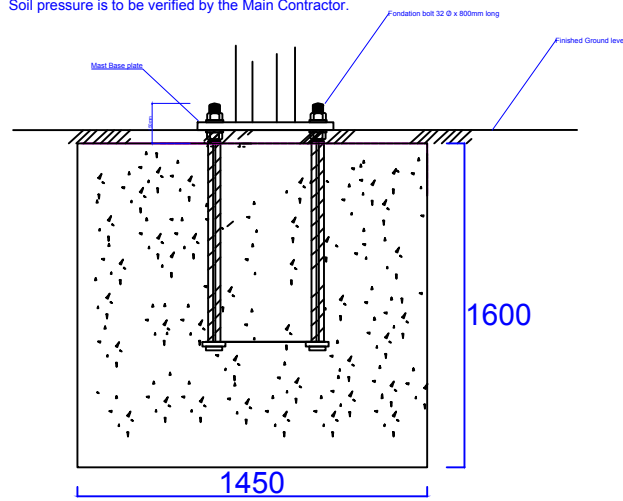
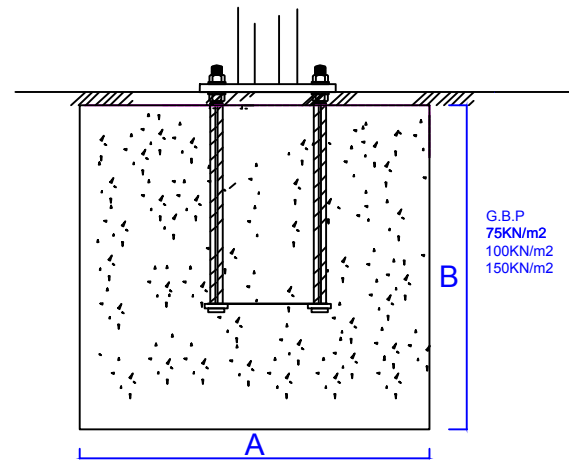


Notes

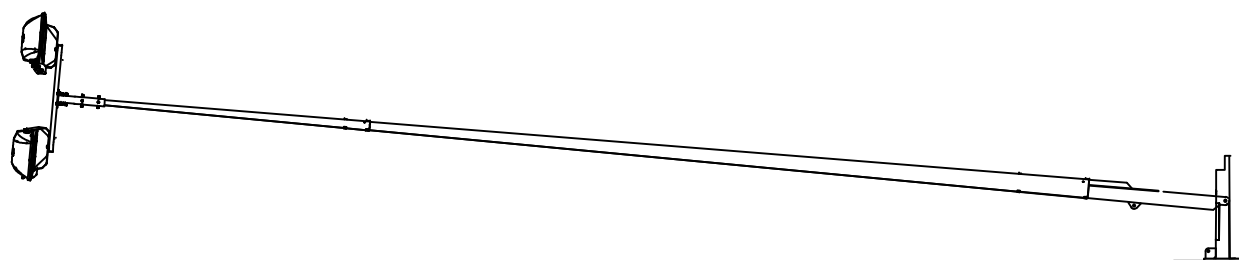
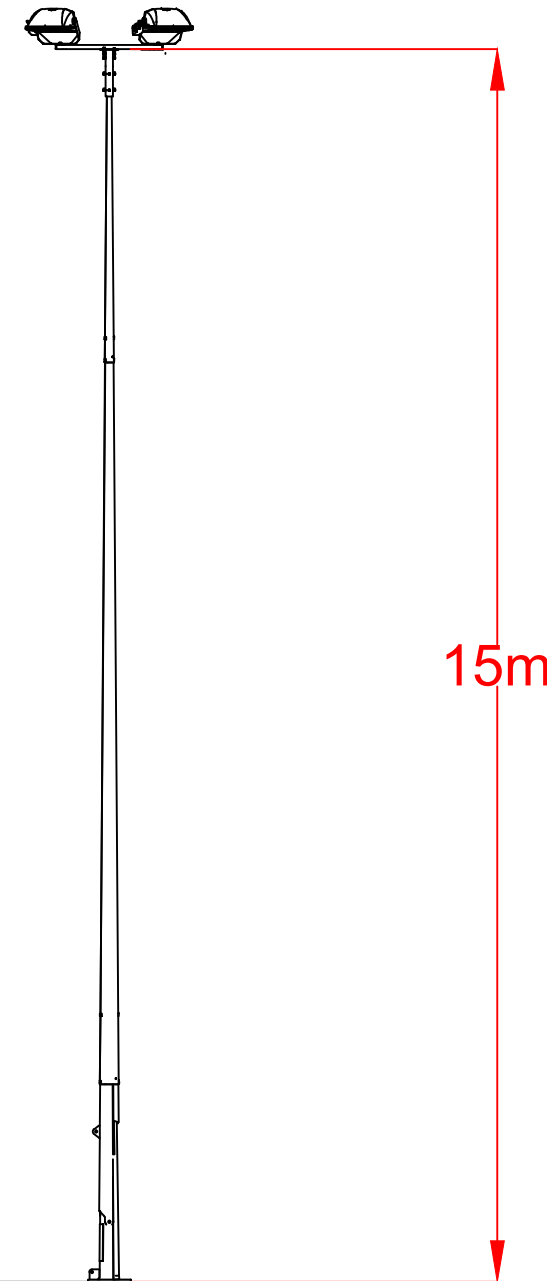
Note  
Passive foundation typically used with firm ground. Soil bearing pressure of not less than 150 (KN/m<sup>2</sup>)  
Soil pressure is to be verified by the Main Contractor.



Note  
Non-passive foundation typically used with unfirm or poor sub soil. Soil bearing pressure of 75-150(KN/m<sup>2</sup>). Pressure is to be verified by the Main Contractor.



G.B.P	DIM A	DIM B
75KN/m <sup>2</sup>	2400	
100KN/m <sup>2</sup>	2200	1250
150KN/m <sup>2</sup>	2200	1250



HALLIDAY LIGHTING

Project  
15m Mast Foundation  
Heavy Duty

[www.hallidaylighting.co.uk](http://www.hallidaylighting.co.uk)

Drawing Title  
Proposed floodlighting

Drawn By (print) JS	Date NTS
------------------------	-------------

Project No	Scale 1:500 □ A3
------------	---------------------

Drawing No E01	Status Proposal
-------------------	--------------------