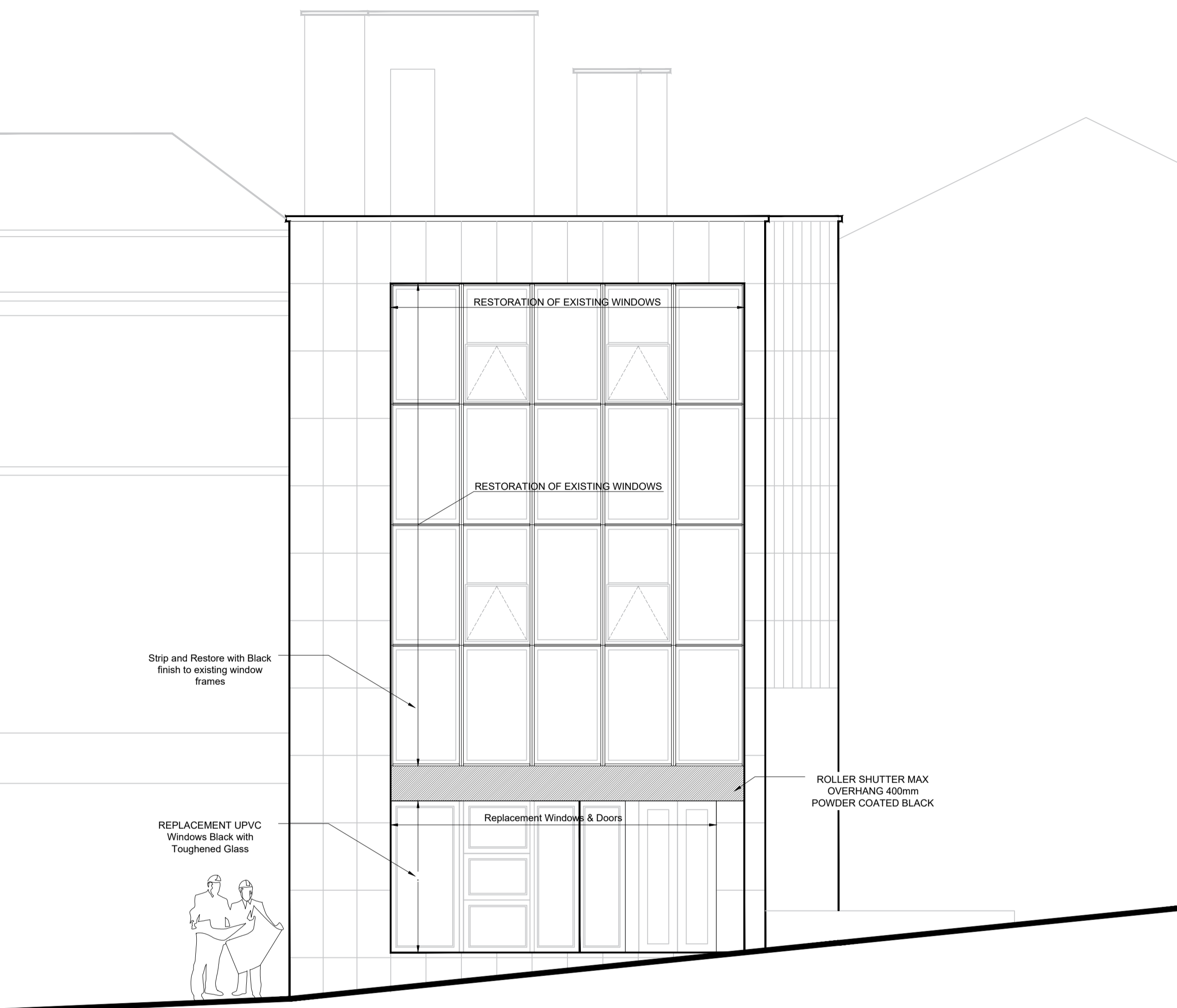
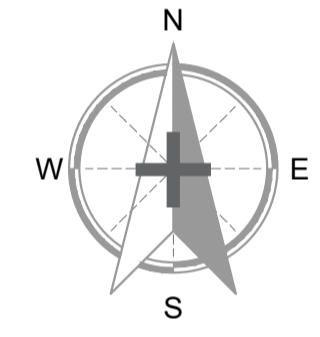
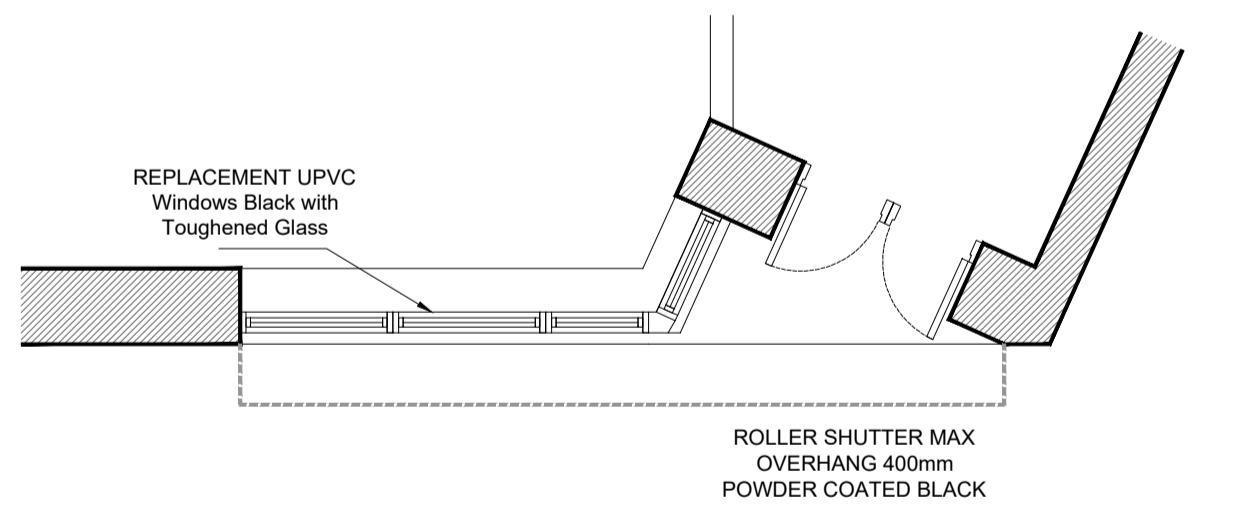




Location Plan
Scale 1:1250



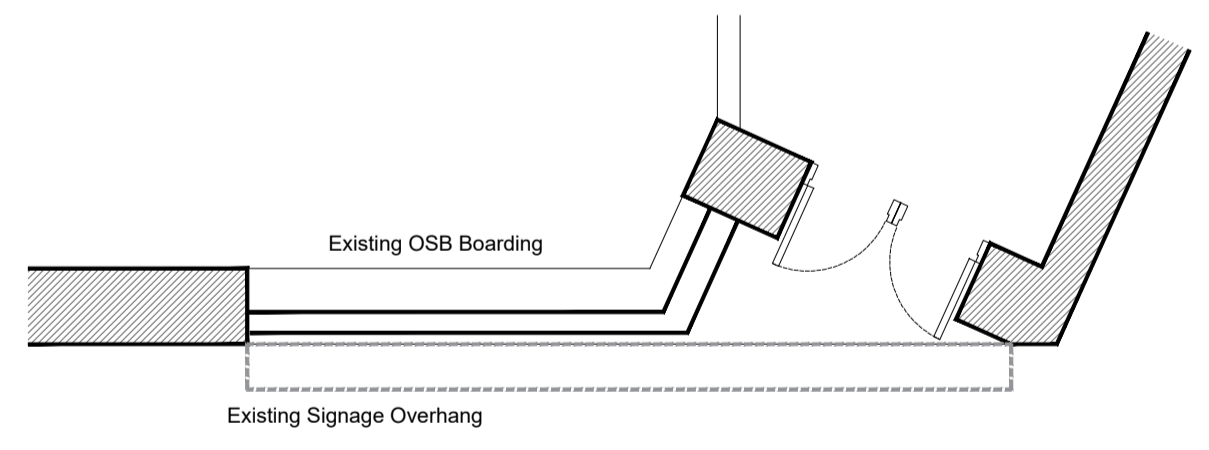
Proposed Front Elevation
Scale 1:50



Proposed GA Plan
Scale 1:50



Existing Front Elevation
Scale 1:50



Existing GA Plan
Scale 1:50



CLIENT:	Mr James Sixsmith
SITE ADDRESS:	17 Market Hill Barnsley S70 2PX
DRAWING NUMBER:	HA-25-MM-JJ-DN-RN- Combined Drawing
REVISION NUMBER:	First Issue
RIBA STAGE:	RIBA Stage 3 PLANNING
DRAWN BY:	Luke Hirst BA(Hons) March(Hons) ADPPA ARB RIBA CHARTERED ARCHITECT
CHECKED BY:	Luke Hirst BA(Hons) March(Hons) ADPPA ARB RIBA CHARTERED ARCHITECT