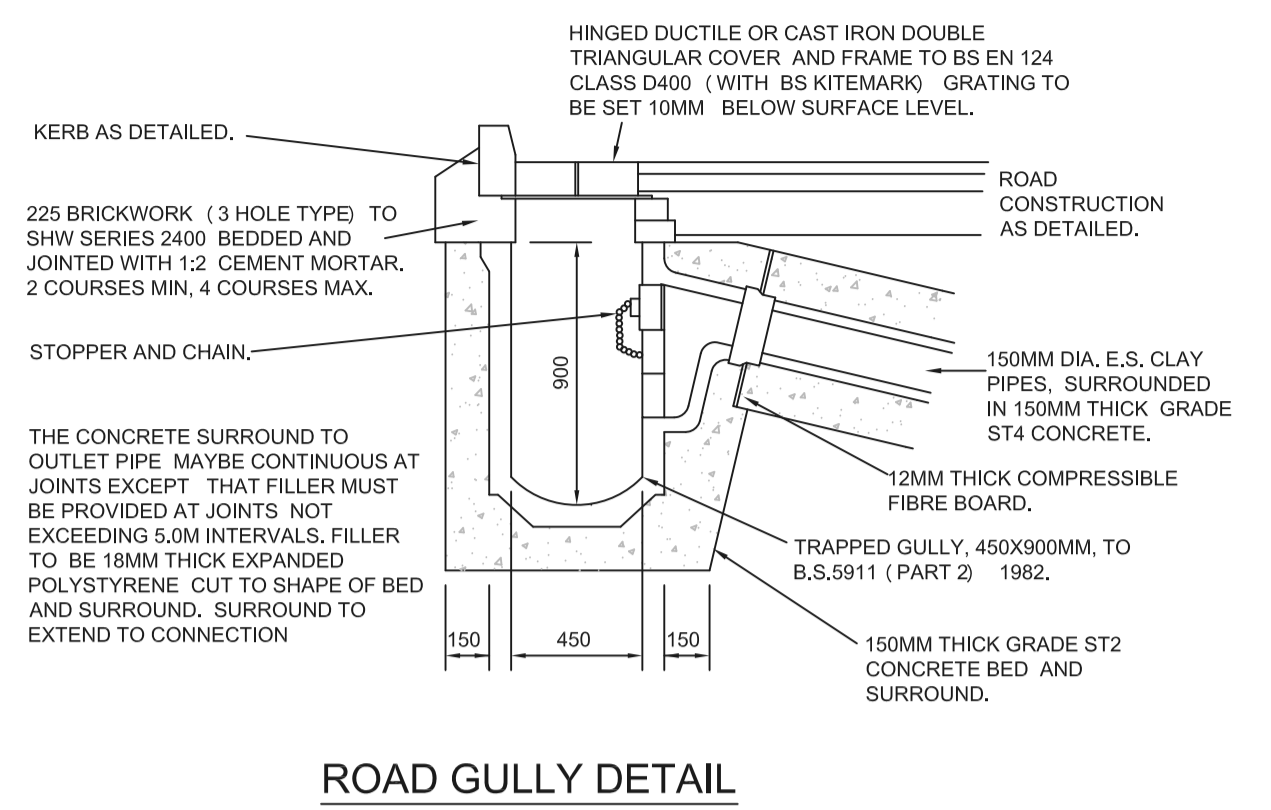
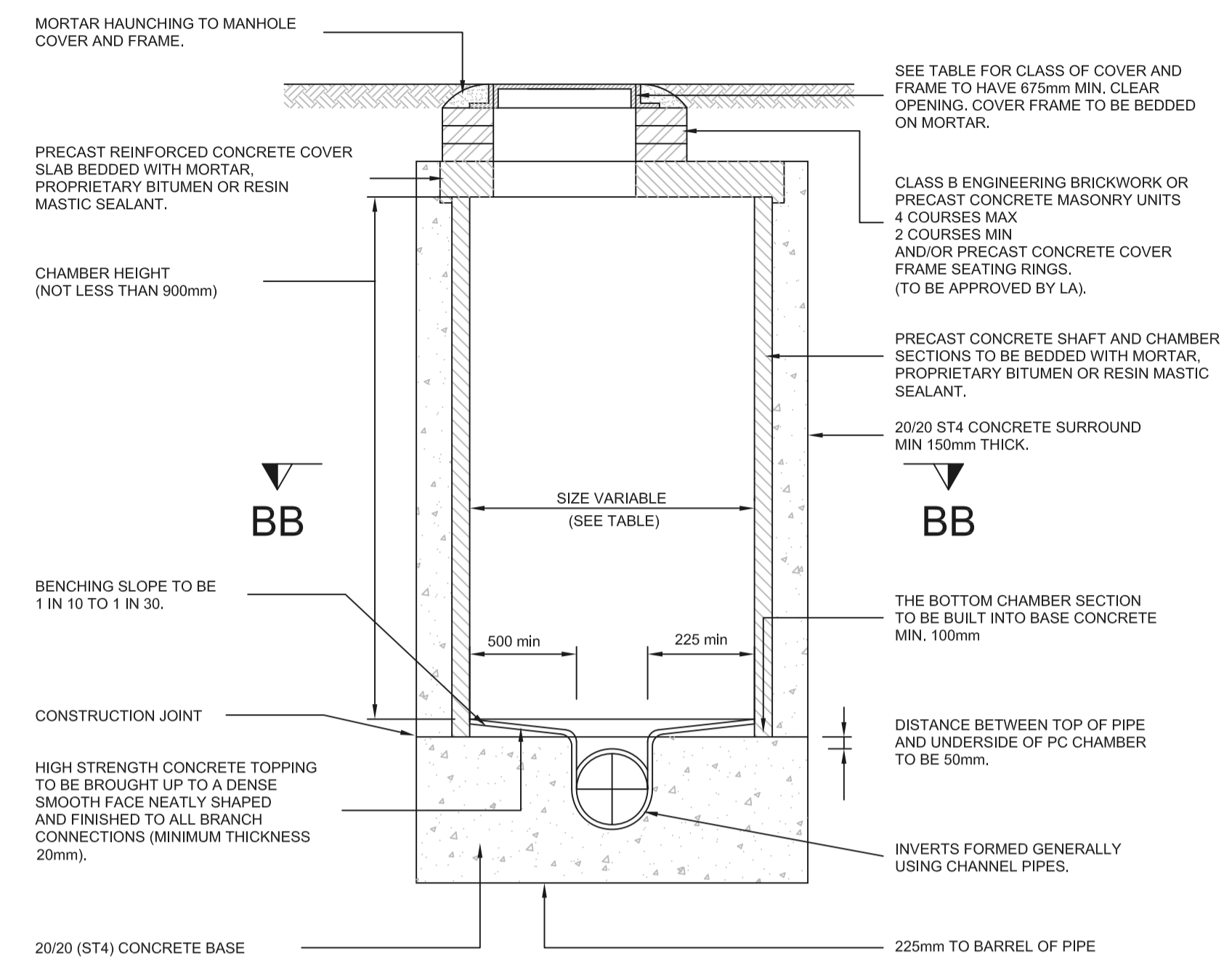
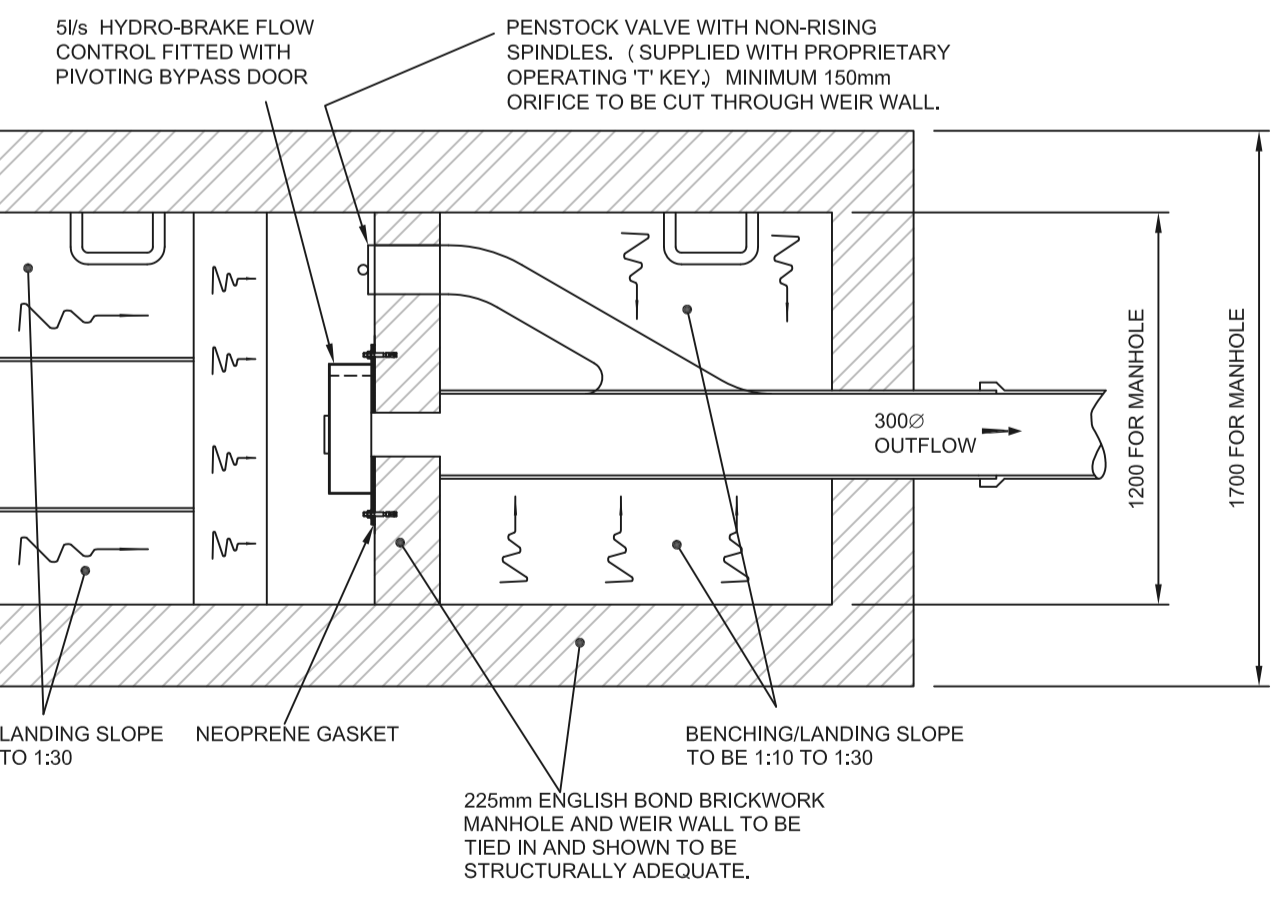
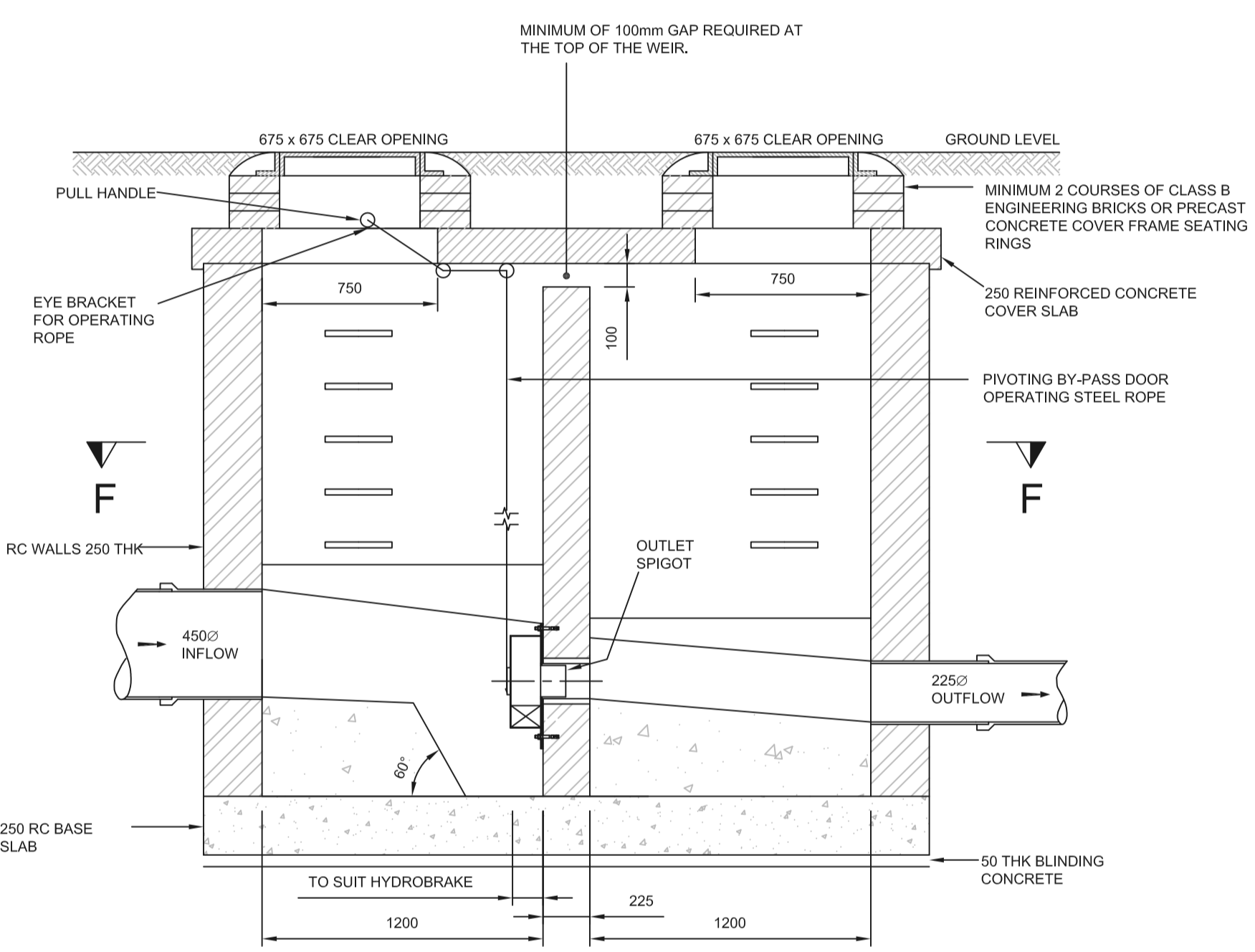


NOTES  
 CONTRACTORS MUST VERIFY ALL DIMENSIONS ON SITE BEFORE COMMENCING ANY WORK ON SHOP DRAWINGS  
 DO NOT SCALE FROM THIS DRAWING  
 RCD CONSULTANTS LTD COPYRIGHT

1. ALL DIMENSIONS IN MILLIMETERS UNLESS NOTED OTHERWISE.
2. THIS DRAWING TO BE READ IN CONJUNCTION WITH ALL OTHER ENGINEERING DRAWINGS AND CALCULATIONS ASSOCIATED WITH THIS PROJECT.
3. ALL ADAPTABLE DRAINAGE WORKS ARE TO BE CARRIED OUT TO THE REQUIREMENTS AND FULL SATISFACTION OF YORKSHIRE WATER LTD.
4. ALL ADAPTABLE HIGHWAY WORKS ARE TO BE CARRIED OUT TO THE REQUIREMENTS AND FULL SATISFACTION OF BARNSLEY METROPOLITAN BOROUGH COUNCIL AND SOUTH YORKSHIRE COUNTY COUNCIL.
5. ALL SEWERS ARE TO BE CONSTRUCTED IN ACCORDANCE WITH WATER AUTHORITIES ASSOCIATION PUBLICATION 'SEWERS FOR ADOPTION 6TH EDITION'.
6. ALL BUILDING DRAINAGE TO BE INSTALLED AND TESTED IN COMPLIANCE WITH THE BUILDING REGULATIONS 2000 DRAINAGE AND WASTE DISPOSAL APPROVED DOCUMENT H 2002 EDITION.
7. ALL COMPONENTS AND MATERIALS ARE TO BE MANUFACTURED AND SUPPLIED IN ACCORDANCE WITH THE RELEVANT BRITISH STANDARDS, AND LAID AND BACKFILLED IN ACCORDANCE WITH MANUFACTURERS INSTRUCTIONS AND THE RELEVANT BRITISH STANDARDS.
8. THE CONTRACTOR SHALL, BEFORE COMMENCING THE WORKS, VERIFY ALL SITE AND SETTING OUT DIMENSIONS. THE CONTRACTOR SHALL BE RESPONSIBLE FOR THE TRUE AND PROPER SETTING OUT OF THE WORKS AND FOR THE CORRECTNESS OF THE POSITION, LEVELS, DIMENSIONS, AND ALIGNMENT OF ALL PARTS OF THE WORKS.
9. PRIOR TO ANY WORKS COMMENCING THE CONTRACTOR IS TO CONFIRM BACK TO THE ENGINEER THE INVERT LEVEL OF MANHOLE EXSMH1, EXFMH3 AND EXFMH5.
10. INSITU CONCRETE FOR USE IN GENERAL DRAINAGE WORKS, GRADE TO BS: 5328.
11. ALL GULLIES TO BE TRAPPED.

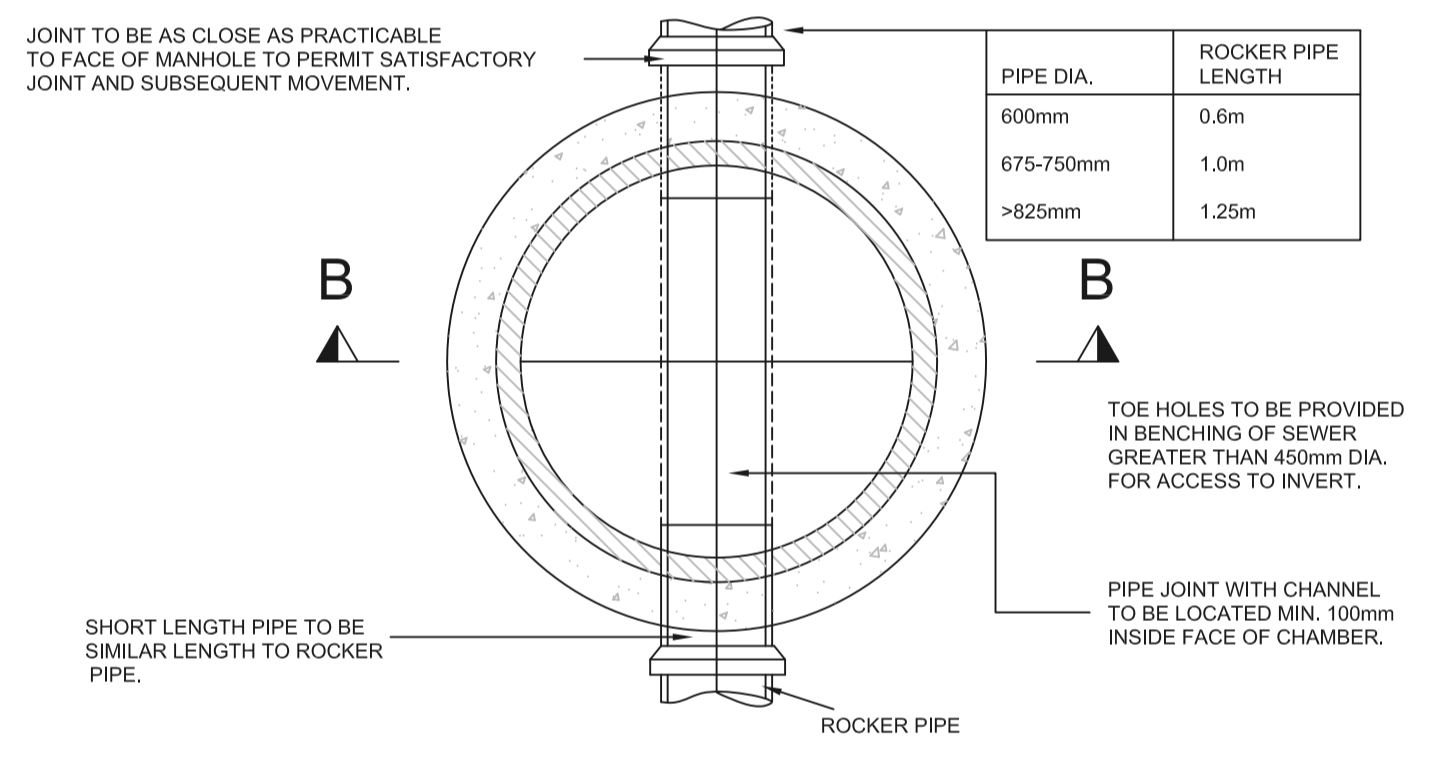


ROAD GULLY DETAIL



SECTION F-F  
 ADOPTABLE FLOW CONTROL CHAMBER  
 SCALE 1:25

SECTION B-B



SECTION BB-BB

ADOPTABLE MANHOLE TYPE B.

depth to soffit 1.35m to 3.0m

SCALE 1:25

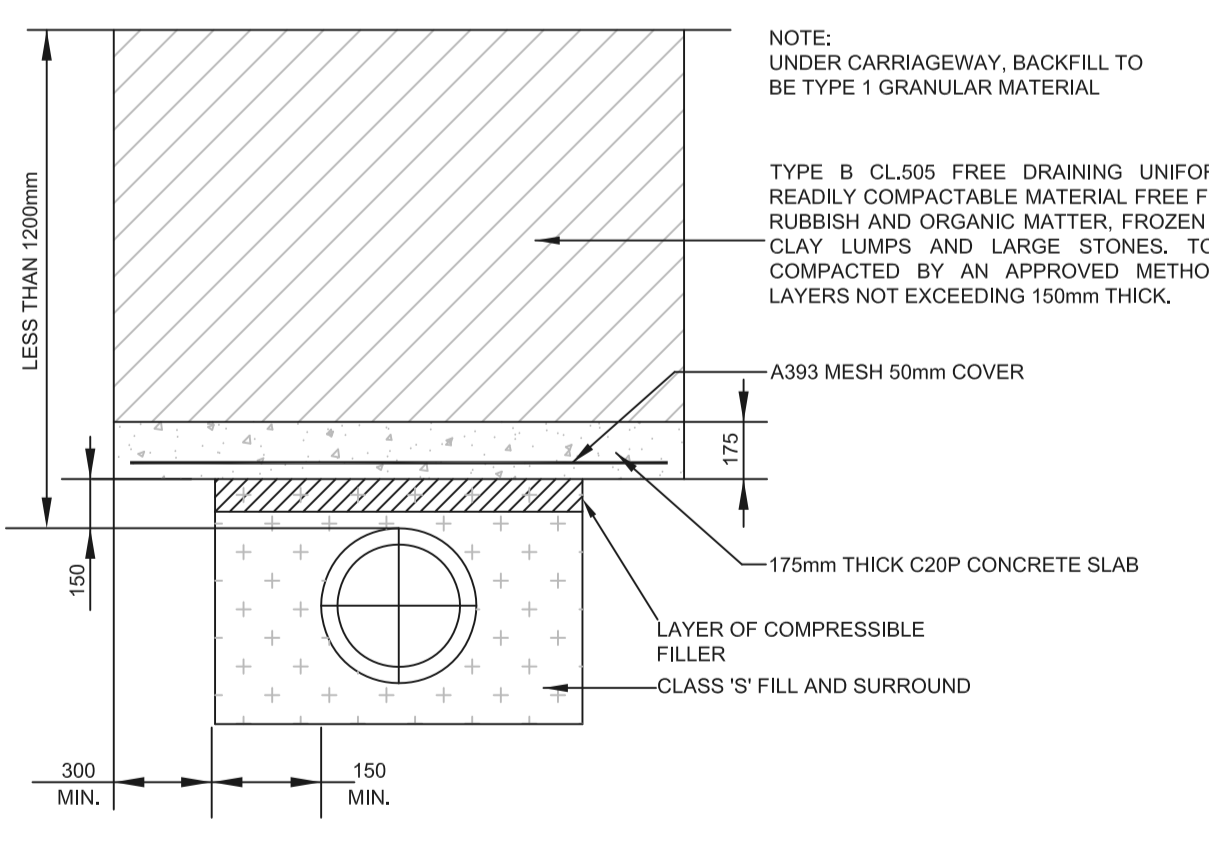
1. WARNING SIGNS ARE REQUIRED AND ARE TO BE 40mm HIGH RED LETTERING ON A WHITE PLASTIC BASE. THE WHITE PLASTIC BASE DIMENSIONS ARE TO BE 300mm x 300mm X 6mm.
2. THE PLASTIC BASE IS TO BE RESISTANT TO ATTACK BY SEWERAGE ENVIRONMENT.
3. THE WARNING SIGN IS TO BE MOUNTED ON A REMOVABLE SAFETY GRID AVAILABLE FROM COVER MANUFACTURER.
4. THE SIGN IN THIS MANHOLE IS TO READ "CAUTION - HYDROBRAKE LOCATED HERE".
5. A SIGN MUST BE FITTED IN THE UPSTREAM SECTION TO READ "CAUTION-HYDROBRAKE DOWNSTREAM".
6. A SIGN MUST BE FITTED IN THE DOWNSTREAM SECTION TO READ "CAUTION-HYDROBRAKE UPSTREAM".

BEDDING TYPES	
PIPE BEDDING	DEPTH OF COVER BELOW ROADS
	1.2m-3.5m
PIPE TYPE	TYPE S
	CONCRETE TO BS 5911-1:2002 MIN CRUSHING LOAD 63kN/m <sup>2</sup> OR VITRIFIED CLAY TO BS:65, WITH FLEXIBLE JOINTS SUPER STRENGTH CLASS FOR 225 AND 300mm $\phi$ , EXTRA STRENGTH CLASS FOR ALL OTHER SIZES.

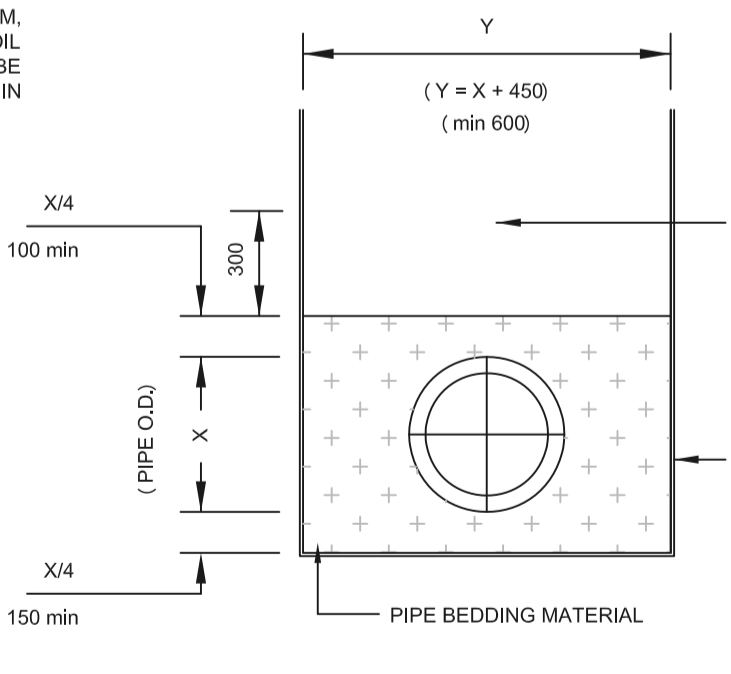
CLASS	SUITABILITY
B125	FOOTWAYS AND PEDESTRIAN AREAS
D400	CARRIAGEWAYS, HARD SHOULDERS, AND PARKING AREAS.

NOTES: ALL COVERS TO BE BADGED 'SW' AND 'FW'.  
 ALL COVERS AND FRAMES TO BE DUCTILE IRON TO BS EN 124  
 ACCESS COVERS FOR TYPE A/B MANHOLES SHALL BE SQUARE, DOUBLE TRIANGULAR, NON-ROCKING TYPE, MIN. CLEAR OPENING OF 675mmx675mm.

NOTE: ALL PIPE BEDDING MATERIAL TO BE IMPORTED GRANULAR MATERIAL.  
 NOTE: UNLESS SHOWN OTHERWISE ALL MORTAR AND CONCRETE INCLUDING INSITU AND PRECAST SHALL COMPLY WITH CLASS 2 SULPHATE CONDITIONS AS DESCRIBED IN BRE DIGEST 363.



PIPE BEDDING DETAIL WHERE DEPTH TO SOFFIT IS LESS THAN 1200mm  
 NOT TO SCALE



TYPE S PIPE BEDDING  
 Granular bed & surround  
 NOT TO SCALE

REV	AMENDMENT	DATE	CHKD
A	FOR APPROVAL	24.04.16	RAC

DRAWING STATUS

FOR APPROVAL

**RCD**

RCD CONSULTANTS LTD  
 23 HASTINGS ROAD ROAD, MAIDSTONE, KENT, ME15 7SH  
 MOBILE: 07702 052 137  
 EMAIL: ray@rcd-uk.com

CLIENT  
 RELIANT BUILDING CONTRACTORS LTD

PROJECT  
 PROPOSED RESIDENTIAL DEVELOPMENT  
 THE COALDROPS  
 PENISTONE

DRAWING TITLE  
 DRAINAGE  
 CONSTRUCTION DETAILS  
 SHEET 1 OF 3

**CIVILS**

SCALE	DRAWN BY	CHECKED	DATE
AS SHOWN AT A1	RAC	MGC	APR 2016

DRAWING NUMBER	REVISION
1151-1007-CIV-40	A