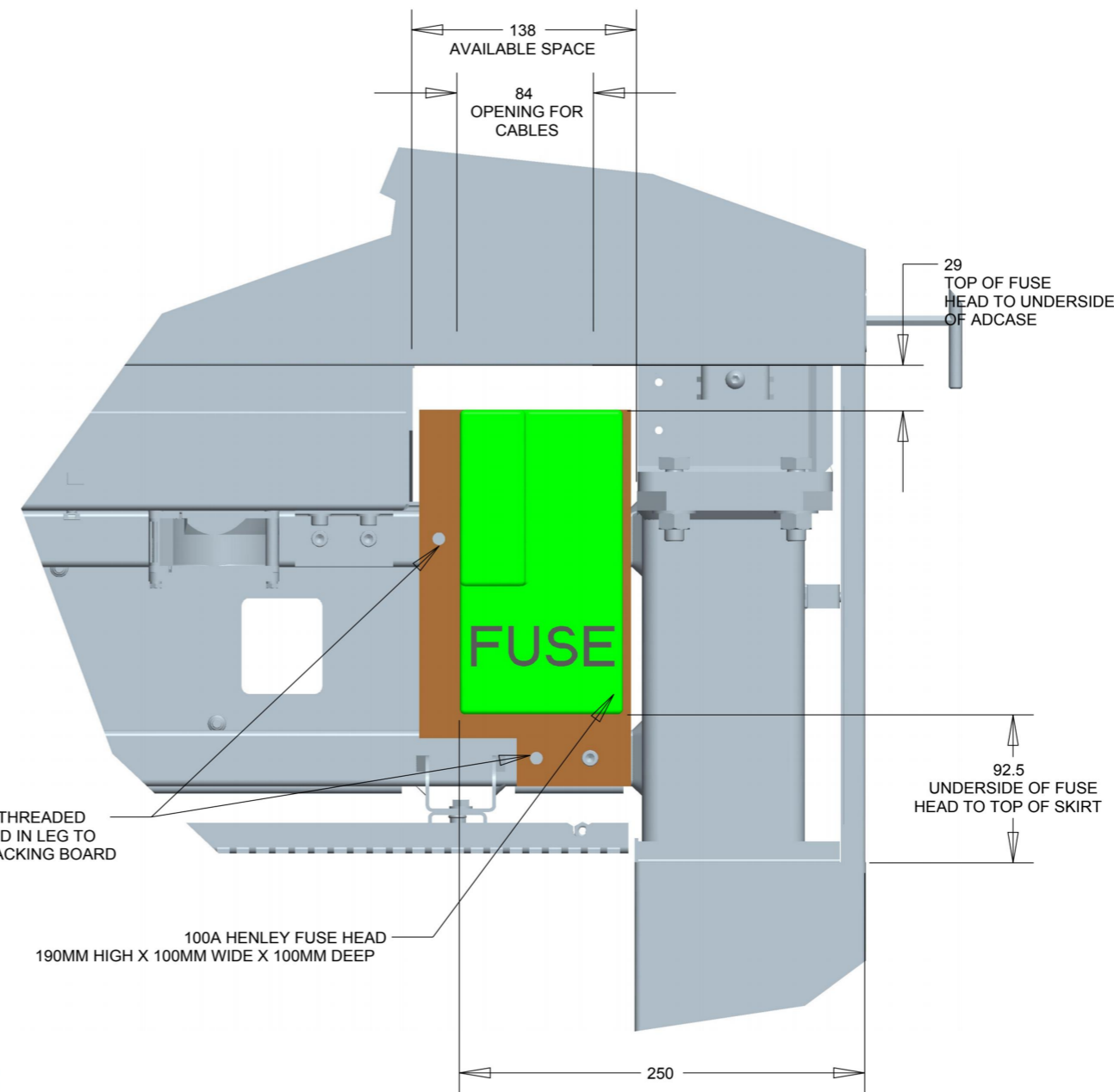
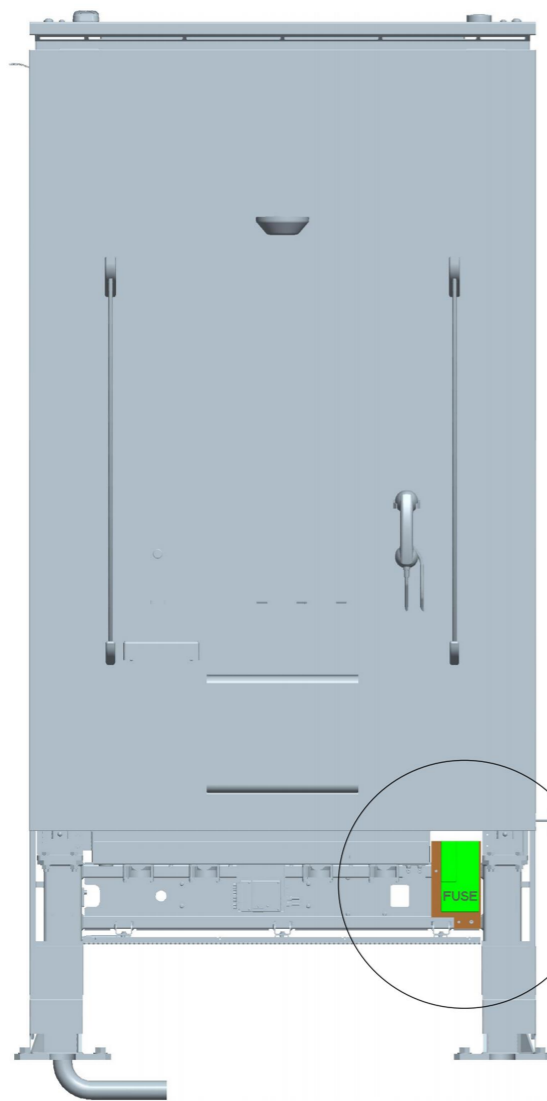


D

C

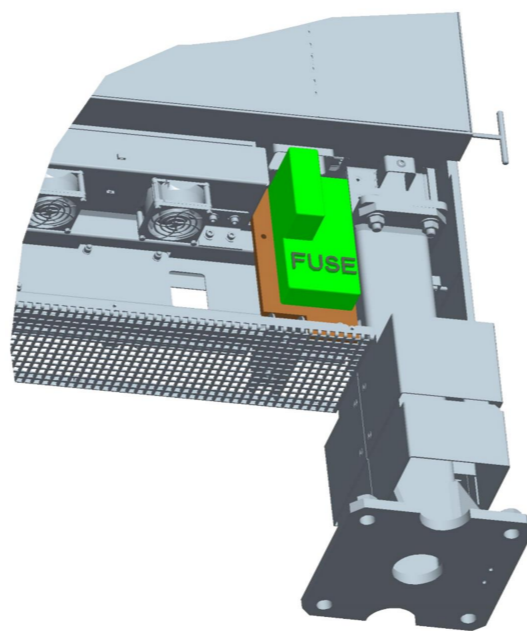
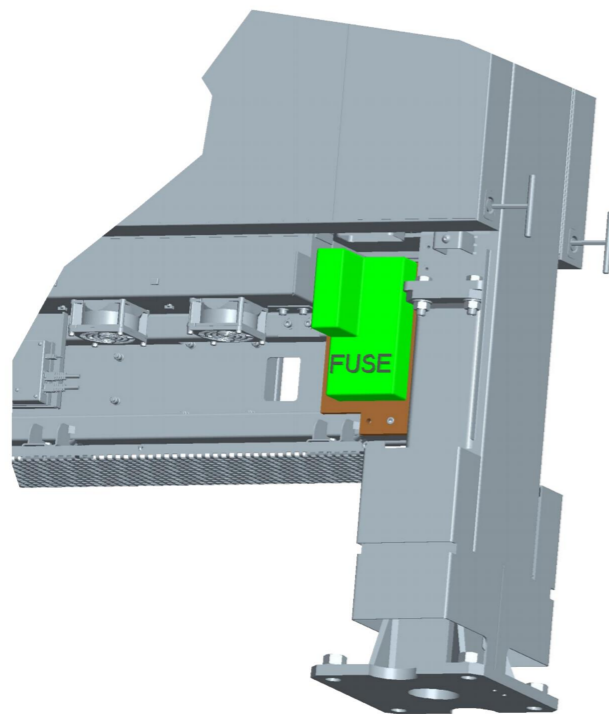
B

A



2 NO. ADDITIONAL M6 THREADED INSERTS REQUIRED IN LEG TO MOUNT THE BACKING BOARD

DETAIL A
SCALE 0.250



-	DRAWING CREATED	P PASS	25.04.19
MOD	Description	Done By	Date
JCDecaux		Assembly:	
JCDecaux UK Technical Department Metroplex Business Park Broadway, Salford M50 2UW		Sub Assembly:	
Part:		Description: INFOCUS DIGITAL - FUSE HEAD POSITION CHECK	
Drawn by: PHIL PASS		Drawing No: TD-1317-0010	
Date Drawn: 25.04.19		CAD Ref:	Format: A3
Checked by: -		Weight: 0.000	Sheet: 1/1
Checked Date: -		Scale: 0.050	

2

1

