






KEY

-  Existing combined sewer to remain
-  Private surface water sewer and chamber. 110mm dia UPVC unless stated otherwise. IL 65.65
-  Private foul water sewer and chamber. 110mm dia UPVC unless stated otherwise. IL 65.40
-  CHANNEL
Linear drainage channel (Aco or similar)
-  Cellular Attenuation tank
Refer to specific detail

NOTES

All works to comply with Building Regulations Approved document Part H.

Drainage points shown are approximate and should be checked against the house type working drawings.

All existing drainage to be checked for line and level prior to commencement.

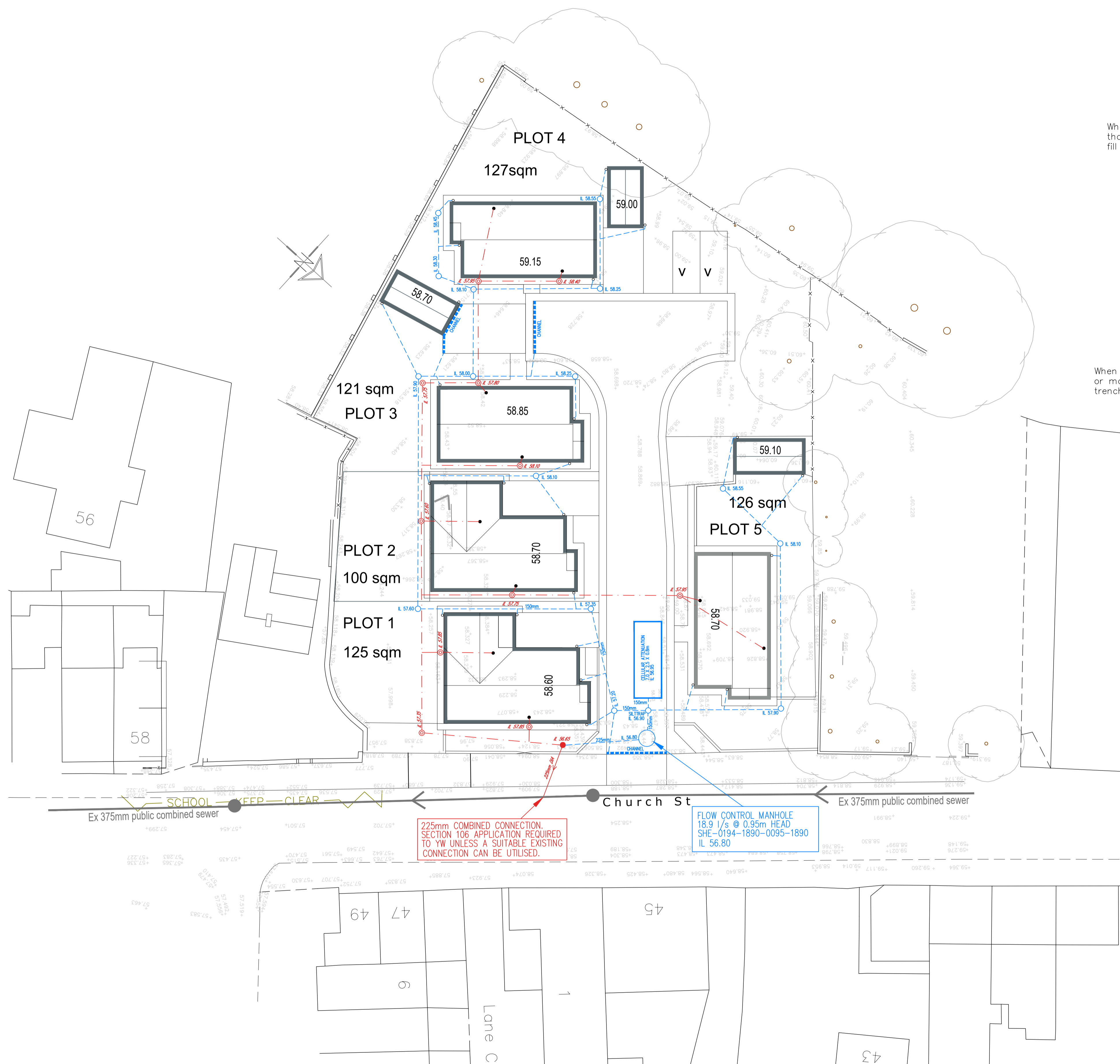
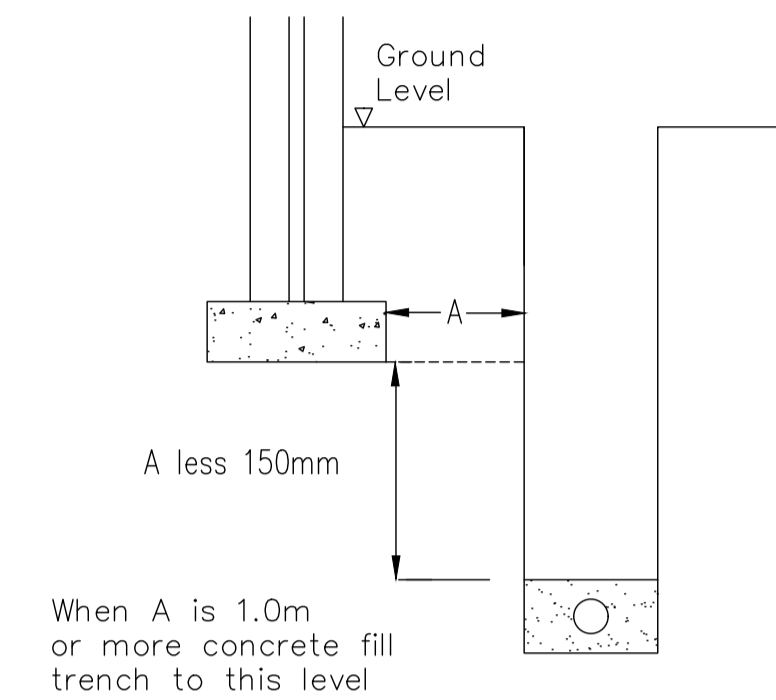
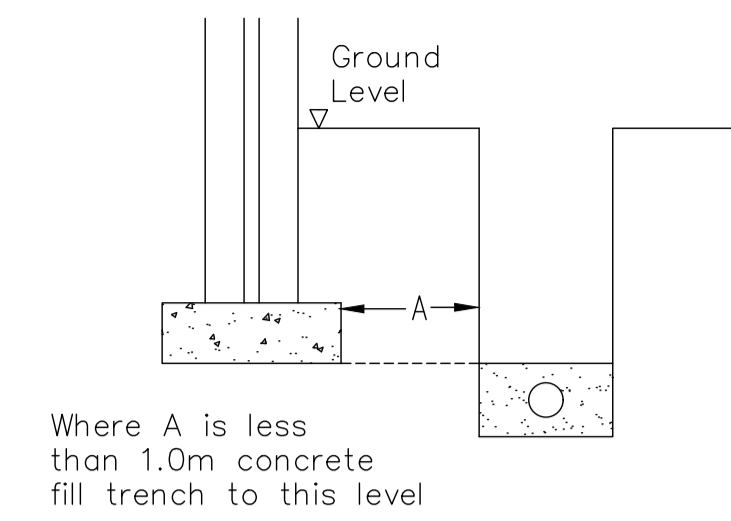
Invert levels shown indicate the invert level of the main channel within the chamber. Branches connect at +50mm.

At changes of direction the main channel is to be used with bends outside the chamber. Branches not to be used for changes of direction.

First foul chambers may need to be lowered depending on floor construction.

All Inspection chamber covers and channel drains within driveways are to be class B125 loading minimum.

The position and level of Aco's/gullies/Inspection chambers are approximate only and are dependant on final finished levels.



225mm COMBINED CONNECTION. SECTION 106 APPLICATION REQUIRED TO YW UNLESS A SUITABLE EXISTING CONNECTION CAN BE UTILISED.

FLOW CONTROL MANHOLE 18.9 l/s @ 0.95m HEAD SHE-0194-1890-0095-1890 IL 56.80

Preliminary

Rev	Details	Date	Drwn	Chk
	Avey Homes Ltd			

Royston Working mens club
Church Street, Royston

Drainage Design

Dwg No. : STE/25/06/01
Date : 26-3-25
Scale : 1:200

Copyright © Shaun Tonge Engineering

SHAUN TONGE
ENGINEERING



11 Broomhead Road, Wombwell, Barnsley, S73 0SA.
Mobile 07528 278070 · Email Shauntongeengineering@yahoo.co.uk