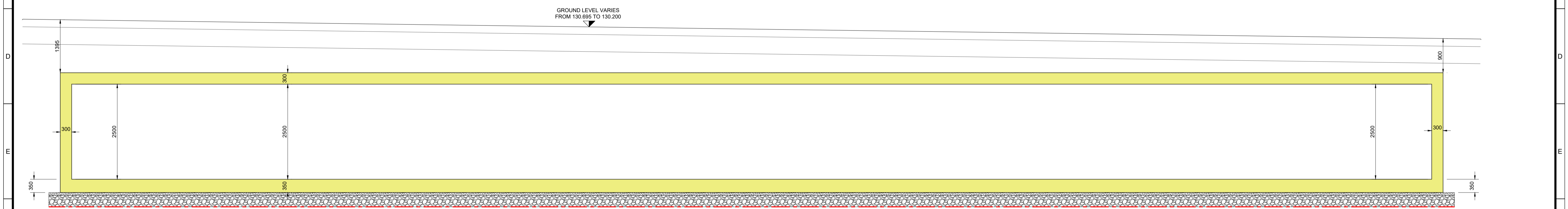
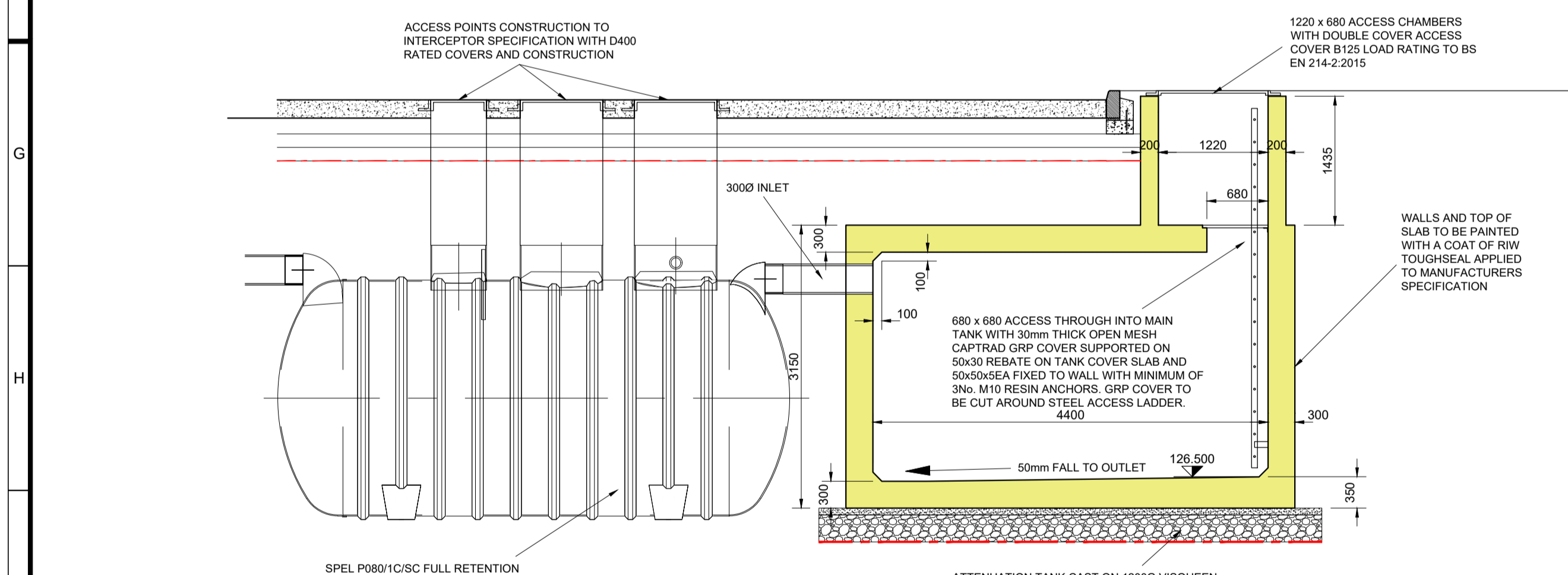


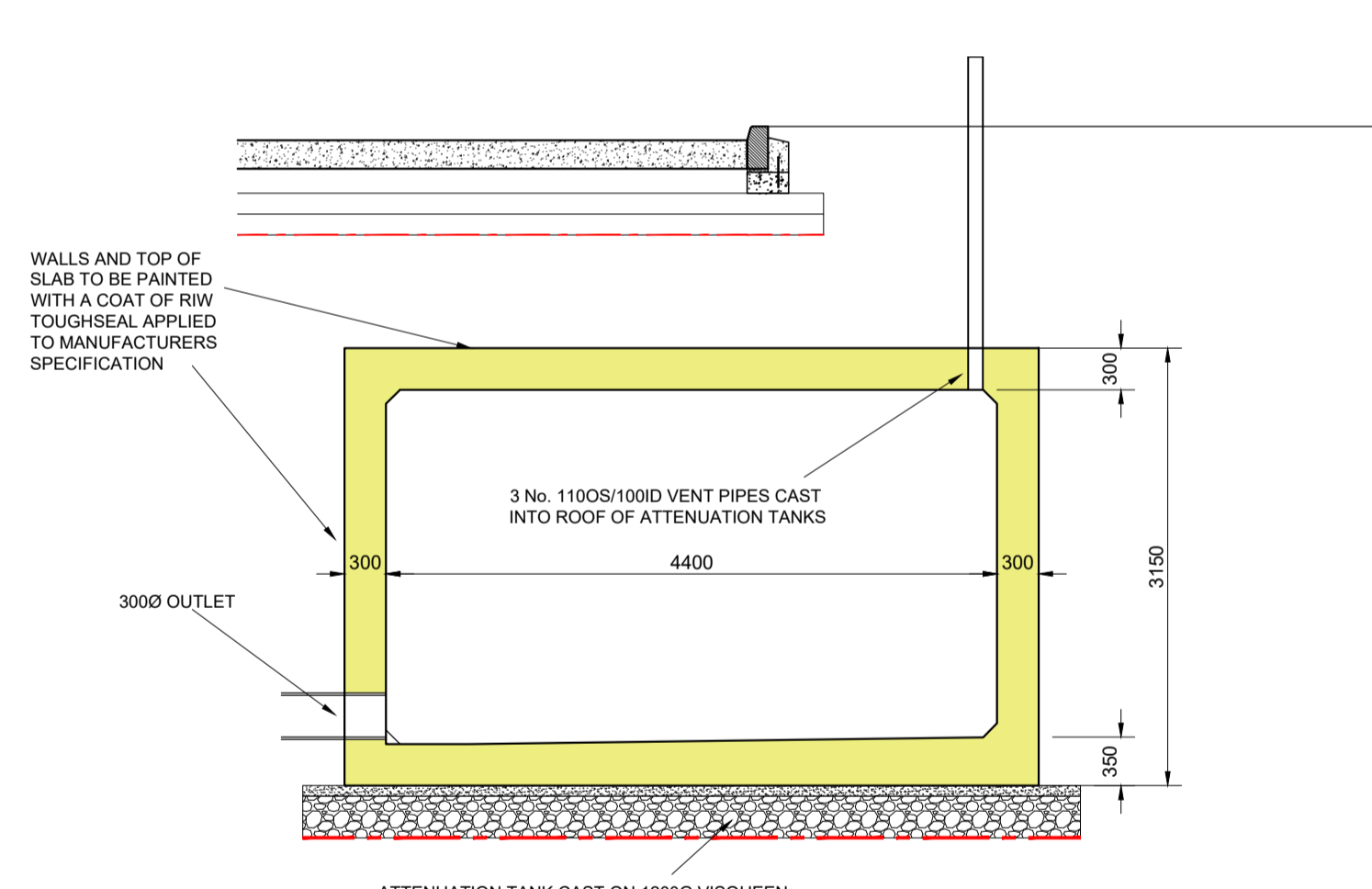
LONG SECTION D - D THROUGH ATTENUATION TANK



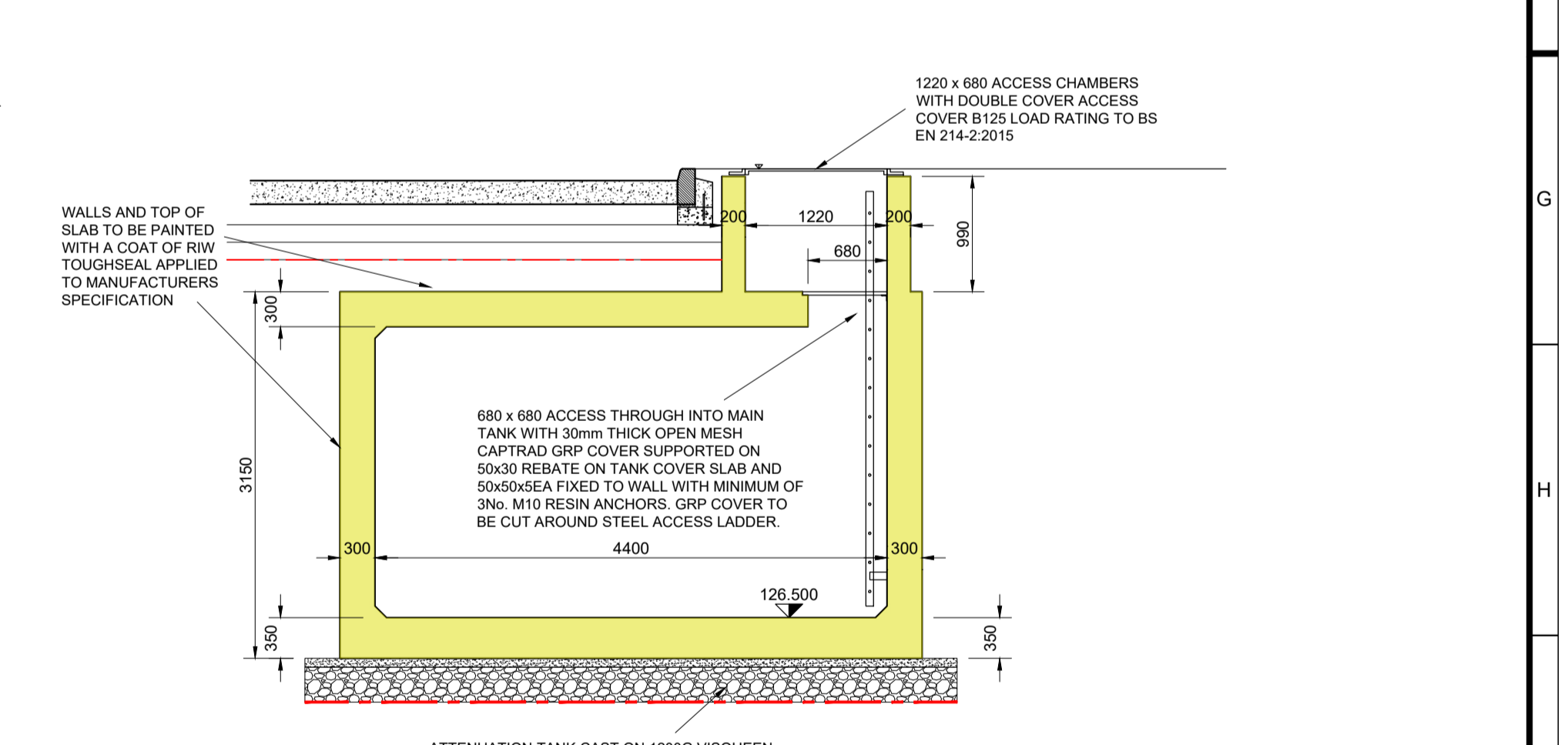
LONG SECTION E - E THROUGH ATTENUATION TANK



SECTION A - A THROUGH ATTENUATION TANK



SECTION B - B THROUGH ATTENUATION TANK



SECTION C - C THROUGH ATTENUATION TANK

- CONCRETE NOTES**
- THESE NOTES ARE INTENDED TO AUGMENT DRAWINGS AND SPECIFICATIONS. WHERE CONFLICT OF REQUIREMENTS EXIST THE ORDER OF PRECEDENCE SHALL BE AS SHOWN IN THE SPECIFICATION. OTHERWISE THE STRICTEST PROVISION SHALL GOVERN.
 - THIS DRAWING IS TO BE READ IN CONJUNCTION WITH ALL OTHER RELEVANT LDC LTD DRAWINGS
 - DRAWINGS NOT TO BE SCALED. ALL DIMENSIONS TO BE CHECKED ON SITE BY THE ENGINEER
 - STRUCTURAL CONCRETE TO BE AS FOLLOWS: DESIGNATED MIX STRENGTH CLASS RC32/40 IN ACCORDANCE WITH BS8500-1:2006 WITH MINIMUM CEMENT CONTENT OF 325kg/m³ AND MAXIMUM WATER CONTENT OF 0.55. ALL AGGREGATE TO BE IN ACCORDANCE WITH BS EN 12620:2002 WITH A 20mm MAXIMUM AGGREGATE SIZE. SULPHATE RESISTING CONCRETE TO BE DESIGNED TO DS-2 ACEC CLASS AC-2. PERMITTED CEMENT COMBINATIONS CEM I + SR, CEMII/B-V+SR & CEMII/A+SR. TARGET CONSISTENCY S3.
 - NOMINAL COVER TO ALL REINFORCEMENT TO BE 40mm TO SHUTTERED FACES AND 75mm TO EXCAVATED FACES, UNLESS NOTED OTHERWISE
 - ALL HIGH YIELD REINFORCEMENT (H-BARS) TO BE GRADE B500B (DEFORMED TYPE 2 U.N.O). SEE BAR SCHEDULES FOR BENDING OF REINFORCEMENT.
 - MINIMUM LAP LENGTH TO REINFORCEMENT TO BE 40xBAR Ø
 - BOTTOM STEEL REINFORCEMENT TO BE SUPPORTED ON 50x50x40mm DEEP CONCRETE BLOCKS OR SIMILAR APPROVED BY THE ENGINEER. WIRING TO THE REINFORCEMENT. TOP LAYER OF REINFORCEMENT TO BE SUPPORTED ON PROPRIETARY LATTICE CHAIRS APPROVED BY THE ENGINEER.
 - TYING WIRE TO BE 16g BLACK ANNEALED IRON WIRE.
 - ALL FORMED SURFACES TO HAVE A FINISH OBTAINED BY THE PROPER USE OF FORMWORK OR MOULDS OF TIMBER, PLYWOOD, PLASTICS, CONCRETE OR STEEL EXCEPT WHERE NOTED OTHERWISE
 - ALL UNFORMED SURFACES TO HAVE A FINISH OBTAINED BY TAMPING ACROSS THE FULL WIDTH OF THE SURFACE TO PRODUCE A UNIFORM TEXTURE. WITH UNIFORM RIDGES NOT EXCEEDING 8mm IN HEIGHT AND SLOPE NO MORE THAN 5mm IN 10m. THE SURFACE SHOULD THEN BE WORKED WITH A POWER FLOAT TO PRODUCE A SMOOTH UNIFORM FINISH FREE FROM FLOAT MARKS
 - IMMEDIATELY AFTER LAYING, CONCRETE SHALL BE PROTECTED FROM RAIN, RAPID TEMPERATURE CHANGE, FROST AND FROM DRYING OUT. CONCRETE TEMPERATURE TO BE MAINTAINED ABOVE 5°C IN COLD WEATHER. THE METHODS USED SHALL BE IN ACCORDANCE WITH BS 8110 AND APPROVED BY THE ENGINEER.
 - THE CONTRACTOR SHALL MAKE A SET OF FOUR 150mm TEST CUBES FROM A SAMPLE TAKEN FROM A SINGLE BATCH FROM EACH 30m³ OF CONCRETE, OR FROM EACH DAYS SUPPLY IF LESS THAN THIS.
 - POLYCARBOXYLATE OR MELAMINE BASED SUPERPLASTICING ADMIXTURES PERMITTED, SUBJECT TO APPROVAL. NO NAPHTHALENE OR LIGNOSULFONIC BASED WATER REDUCING AGENTS OR RETARDERS PERMITTED.
 - THE CONCRETE SHALL BE DELIVERED WITHOUT UNDUE DELAYS BETWEEN LOADS. UNLESS OTHERWISE AGREED AT THE PRE-POUR MEETING A MAXIMUM DELAY OF 30 MINUTES BETWEEN THE TIMES OF ARRIVAL ON SITE OF SUCCESSIVE TRUCKS IS PERMITTED AND A MAXIMUM PERIOD FROM TIME OF BATCHING TO TIME OF PLACING OF 90 MINUTES IS ALLOWED. THE CONCRETE COMPANY IS TO RESOURCE THE POURS ADEQUATELY TO MEET THESE REQUIREMENTS.
 - A SAFE GROUND BEARING PRESSURE OF 75kN/m² HAS BEEN ASSUMED IN THE DESIGN OF THE TANK STRUCTURE.
 - ANY SOFT SPOTS OR DAMP AREAS ARE TO BE EXCAVATED AND REPLACED WITH C15 CONCRETE
 - ALL PIPEWORK PENETRATIONS TO BE SEALED USING HYDROPHILIC WATER STOPS SIKASWELL A 2025 HYDROPHILIC WATERSEAL OR SIMILAR.

BUILDINGS SAFETY ACT 2022

FOR THE PURPOSES OF THE BUILDINGS SAFETY ACT 2022 LONGSIGHT DESIGN CONSULTANCY WILL ACT AS DESIGNER DURING DESIGN PHASE OF THE PROJECT. THESE OBLIGATIONS WILL TRANSFER TO EITHER THE CLIENT OR PRINCIPAL CONTRACTOR AT COMMENCEMENT OF THE CONSTRUCTION PHASE. THE CLIENT OR THE CONTRACTOR SHALL ENSURE THAT THE WORKS ARE CONSTRUCTED IN ACCORDANCE WITH THESE DRAWINGS.

Rev	Description			Date
1	Designed	Checked	Approved	
Status				

LONGSIGHT HOUSE, 258 BACKUP LANE, STAINCROSS
BARNLEY S75 5AX
TEL/FAX 01225 382038
EMAIL TONY.HUBING@LONGSIGHTDESIGN.CO.UK

Client Vicky Simpson	Client Project Ref. West Road
Site Address Development on West Road Pogmoor Barnsley S75 2DH	
Title Foul and Stormwater Drainage Attenuation Tank General Arrangement Details Sheet 2 of 2	
Scale @ A1 1:250	Drawn by AR
Drawing Number LDC24-077-12	Revision -