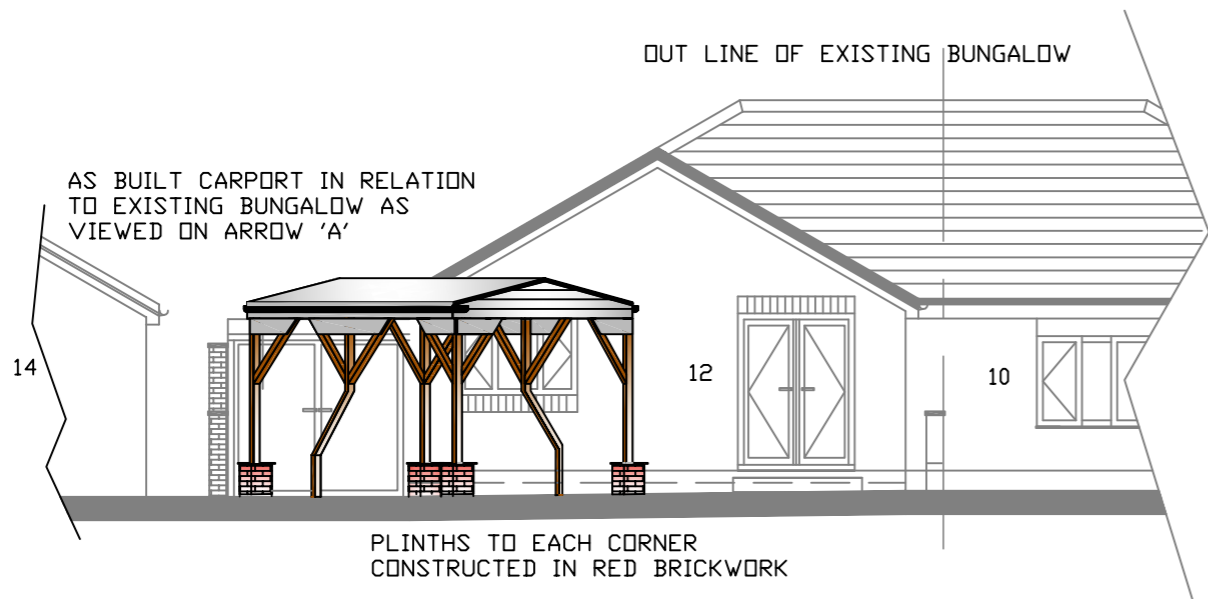


0 1 2 3 4 5

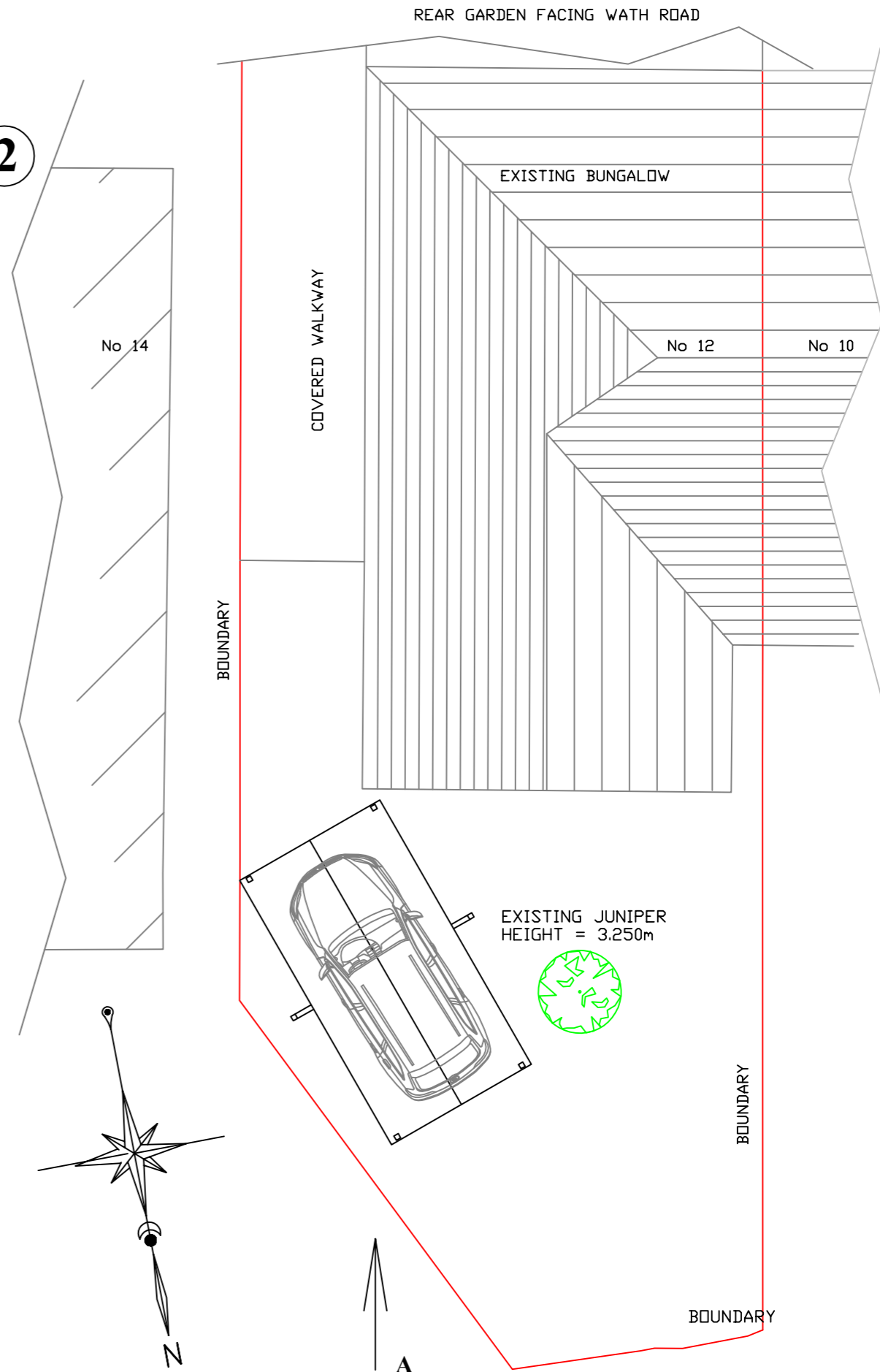
SCALE BAR

1



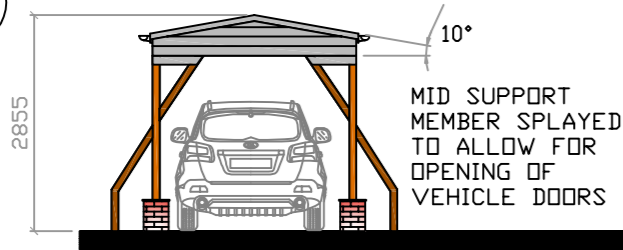
FRONT ELEVATION DRAWN ON ARROW 'A'

2

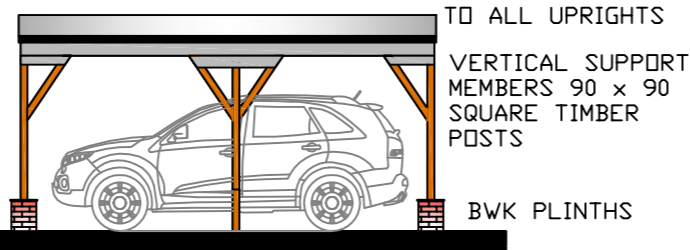


3

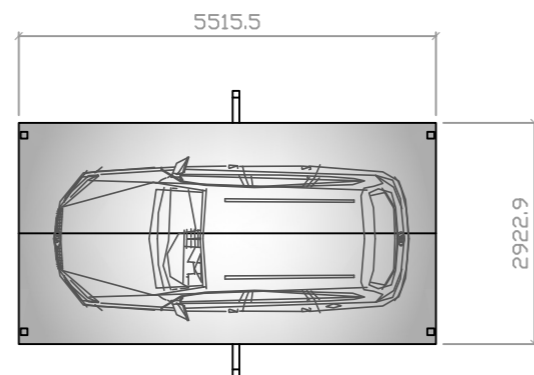
FRONT ELEVATION



SIDE ELEVATION



TIMBER BRACING TO ALL UPRIGHTS
 VERTICAL SUPPORT MEMBERS 90 x 90 SQUARE TIMBER POSTS
 BWK PLINTHS



PLAN

GENERAL NOTES

ROOF FINISHED IN GREY PROPRIETARY WEATHER PROOF COVERING

FRAME TIMBER WITH DARK OAK STAIN FINISH

CLIENT
 MR R LAW
 12 BADSWORTH CLOSE,
 WOMBWELL

TITLE

1 DRAWING SHOWING IN SITU CARPORT FORWARD OF PRINCIPLE ELEVATION
 2 DRAWING SHOWING ORIENTATION OF IN SITU CARPORT FORWARD OF PRINCIPLE ELEVATION
 3 DRAWING SHOWING ELEMENTS OF AS BUILT CARPORT

DRAWN
 AD

SCALE 1:100 @ A3

DATE 22/11/2023

REV

DRG No CAD/001

