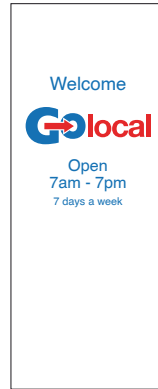
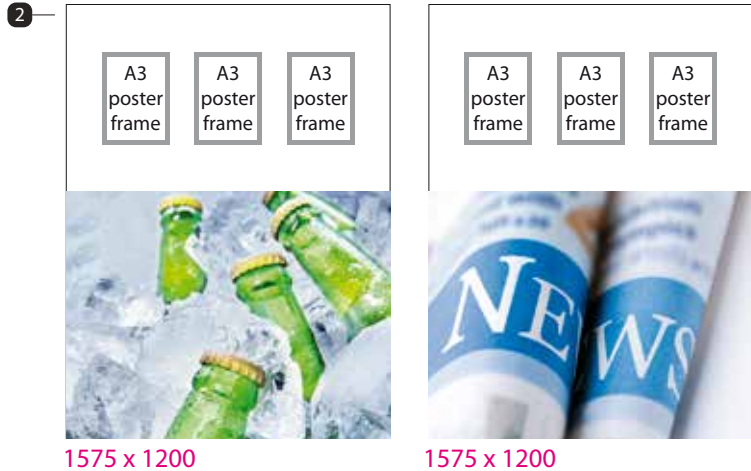


External Signage

Job No. tbc
 Customer Parfett's
 Contact Graham Toth
 Site Location Huddersfield Road

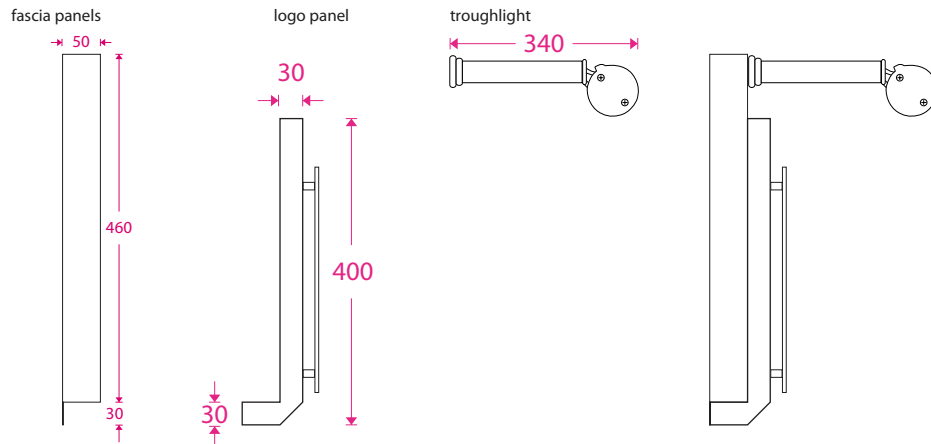


Date 20/04/16

1. ACM sign tray 7588 x 490 (inc 30mm bottom fixing lip)
 C/W vinyl graphics mounted to face.
 Feature Go Local logo pod c/w stand off letters 1310 x 400
 1No led troughlight fitted to fascia 7588mm

2. Window graphics
 reverse printed graphics fitted internally
 A3 external poster frames
 Reverse cut vinyl opening hours to door

**Signage approx. 3000mm above ground level
 maximum letter height of signage 298mm
 overhead led troughlight 265 candelas per metre**



Notes for retailer: to be completed prior to install
 A suitable external electrical supply must be provided.
 Alarm boxes, CCTV or any other obstructions must be relocated.
 Clear access must be available to all windows.
 Windows must be clear of existing graphics & cleaned.



External Signage

SCALE 1:50



FRONT ELEVATION AS PROPOSED

Job No. tbc
Customer Parfett's
Contact Graham Toth
Site Location Huddersfield Road

Date 20/04/16

1. ACM sign tray 7588 x 490
(inc 30mm bottom fixing lip)
C/W vinyl graphics mounted to face.
Feature Go Local logo pod c/w stand off letters
1310 x 400
1No led troughlight fitted to fascia 7588mm
2. Window graphics
reverse printed graphics fitted internally
A3 external poster frames
Reverse cut vinyl opening hours to door

**Signage approx. 3000mm above ground level
maximum letter height of signage 298mm
overhead led troughlight 265 candelas per metre**

Notes for retailer: to be completed prior to install
A suitable external electrical supply must be provided.
Alarm boxes, CCTV or any other obstructions must be relocated.
Clear access must be available to all windows.
Windows must be clear of existing graphics & cleaned.

sign UK
your image is our business