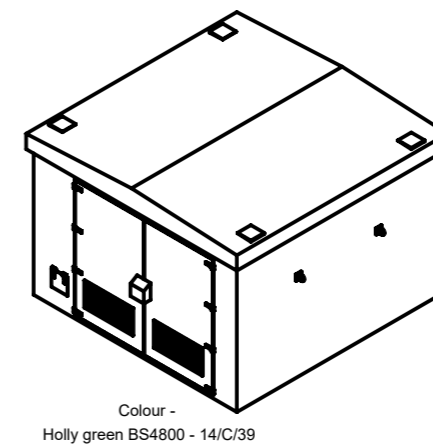
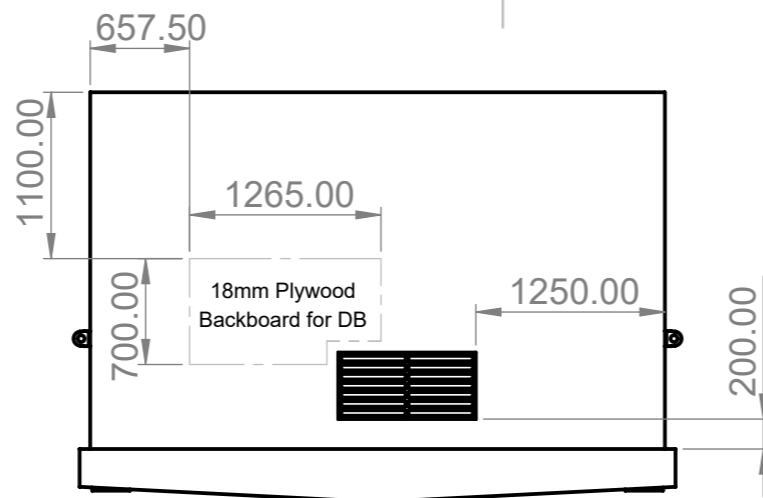


| Electricity Key | | Quantity |
|-----------------|---|----------|
| | 1 Gang 1 Way Light Switch | 1 |
| | 13A RCD Twin Switched Socket Outlet (450mm Above Floor) | 1 |
| | 13A Twin Switched Socket Outlet | 1 |
| | Un switched Fused Spur Outlet (450mm above floor) | 1 |
| | Switched Fused Spur Outlet (450mm above floor) | 1 |
| | LV Distribution Board 5 Way 100A SP MCB Board (1200mm above floor) | 1 |
| | 58W x 1500 LED Tubes In IP56 Fittings (Wall Mounted 2200mm Above Floor) | 3 |



Colour - Holly green BS4800 - 14/C/39

PROJECTION:



DO NOT SCALE DRAWING

GENERAL DRAWING NOTES

Dimensions 3800mm x 3800mm x 2450mm high. Ceiling is the clear internal height. The internal height will be reduced if the kiosk is mounted on a stepped concrete base. All other dimensions are external.

Construction - Monolith
All round base flange to allow bolting down, no integral floor. Ply / GRP composite. Wall 18mm Ply, Two Way Pitched Roof 9mm ply. External resins to BS476 Part 7: Class

2 (surface spread of flame) to provide self extinguishing laminates. U* value is no more than 1.5W/m2°C value is no more than 1.5W/m2°C

Explosion Relief
4 off Lifting lugs
Cat-flap c/w internal spring bolt
4No. Explosion relief brackets

Finish
External standard texture finish. Colour from BS4800 colour range, standard colour list available on request, other colours may incur a surcharge and additional lead times. External - Holly green BS4800 - 14/C/39
Internal GRP white BS4800 - 00/E/55. 00/E/55.

Access
Double Door 2590mm x 2200mm high
Aluminium door trim surround, other materials are available on request
Door stays
Yale 82 Dead lock with strap and padlockable shroud
ST/ST Hinges
BZP Spring Bolts

Ventilation
3 off YEDL Vent Set Yorkshire Laser Type 1 (910mm x 365mm) Eaves ventilation to 3 walls

Electrics (Plastic)
1 off Light switch on opening leaf
1 off double socket 13A 240v RCD
1 off 58W x1500 LED tubes in IP56 fittings
1 off LV distribution board (Northern Powergrid) 5 way 100A SP MCB board The price
1 off Switched fused spur outlet (450mm above floor)
1 off Unswitched fused spur outlet (450mm above floor)
is based on installation at NEC. Installation on site it will incur additional cost

JOB REF

NPG SPECIFICATION

UNLESS OTHERWISE SPECIFIED:
DIMENSIONS ARE IN MILLIMETERS
SURFACE FINISH:
TOLERANCES:
LINEAR:
ANGULAR:

DEBURR AND
BREAK SHARP
EDGES

WEIGHT

MATERIAL

REVISION **D**

TITLE

NPG SPEC ENCLOSURE
3800MM W X 3800MM D X 2450MM CIH

| | NAME | SIGNATURE | DATE |
|----------|------|-----------|------------|
| DRAWN | FD | FD | 03/04/2023 |
| CHECKED | RF | RF | 03/04/2023 |
| APPROVED | | | |



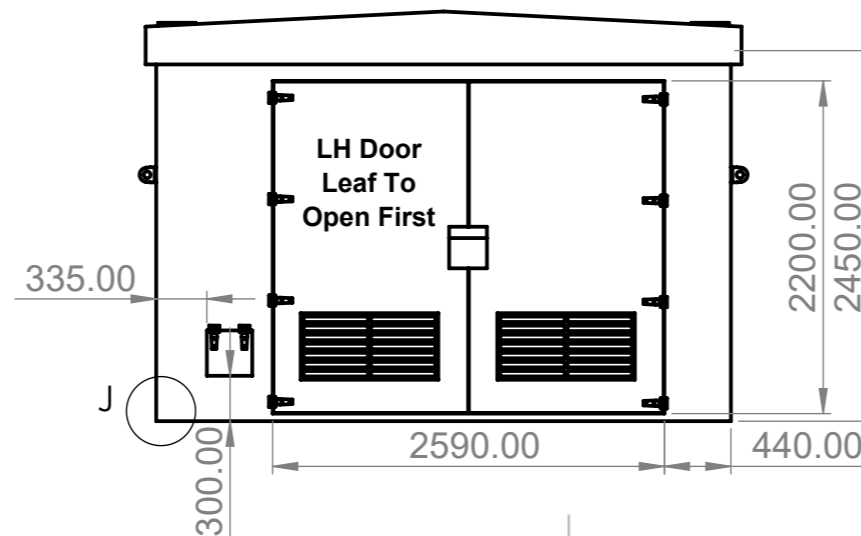
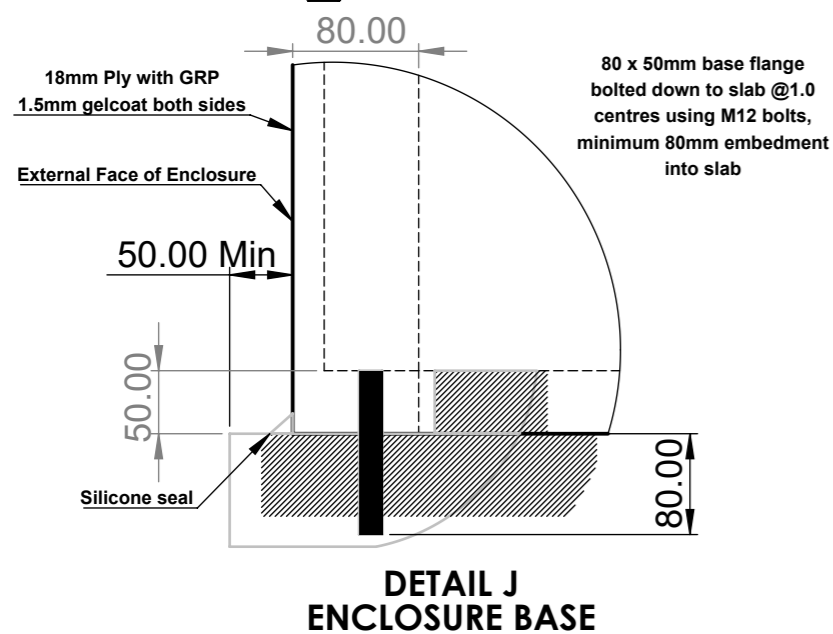
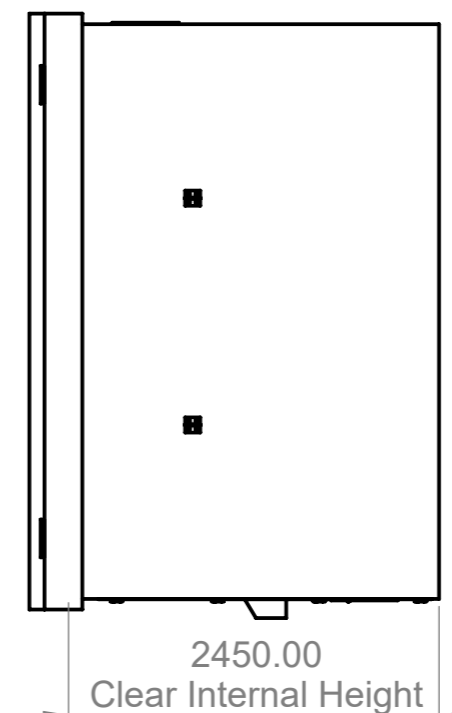
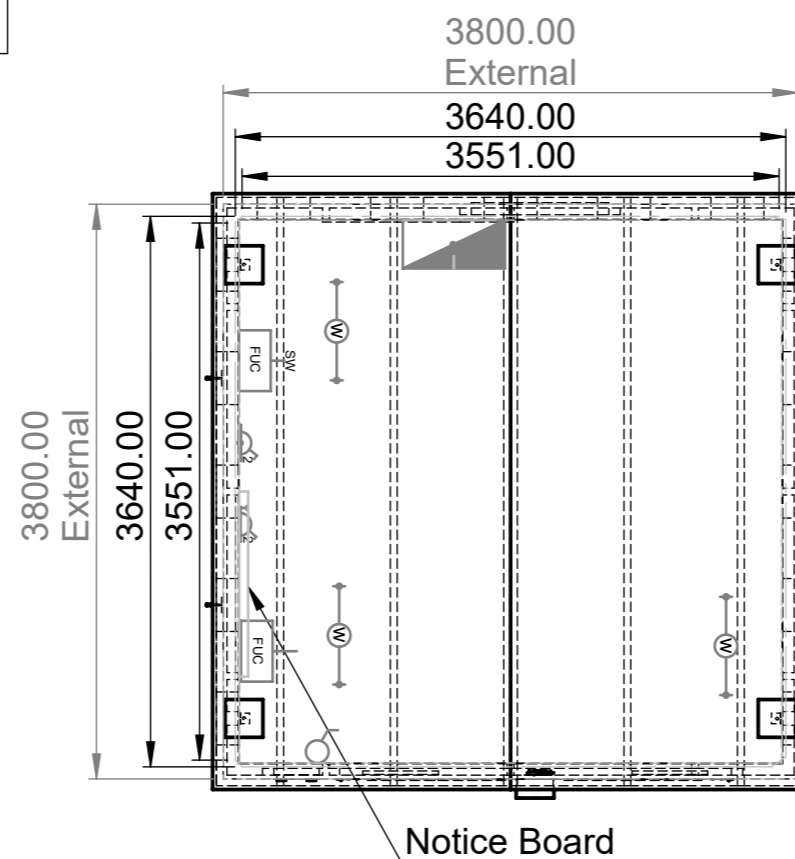
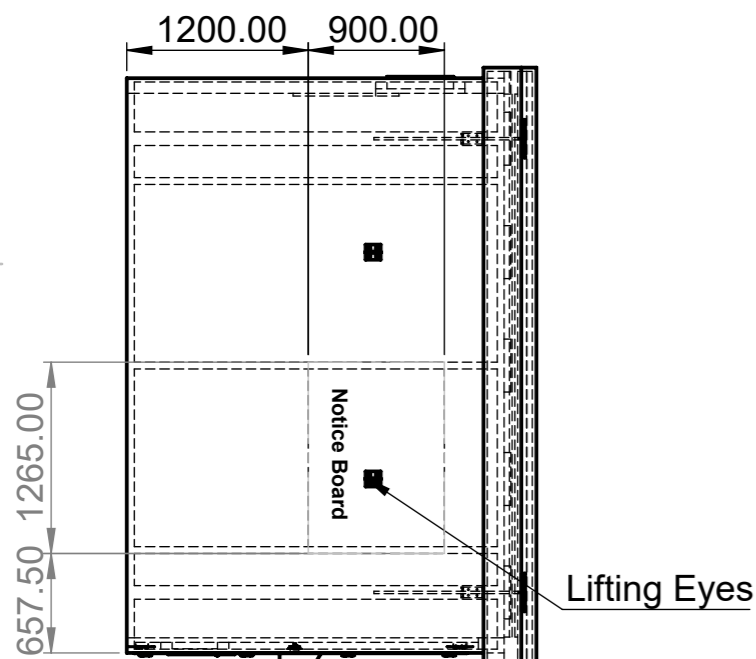
NORTH EASTERN COMPOSITES LTD
Unit 3 Rhodes Court, South Nelson Road Ind Est, Cramlington, NE23 1WF
Office - 03332409935 Email - info@nec-glassfibre.co.uk

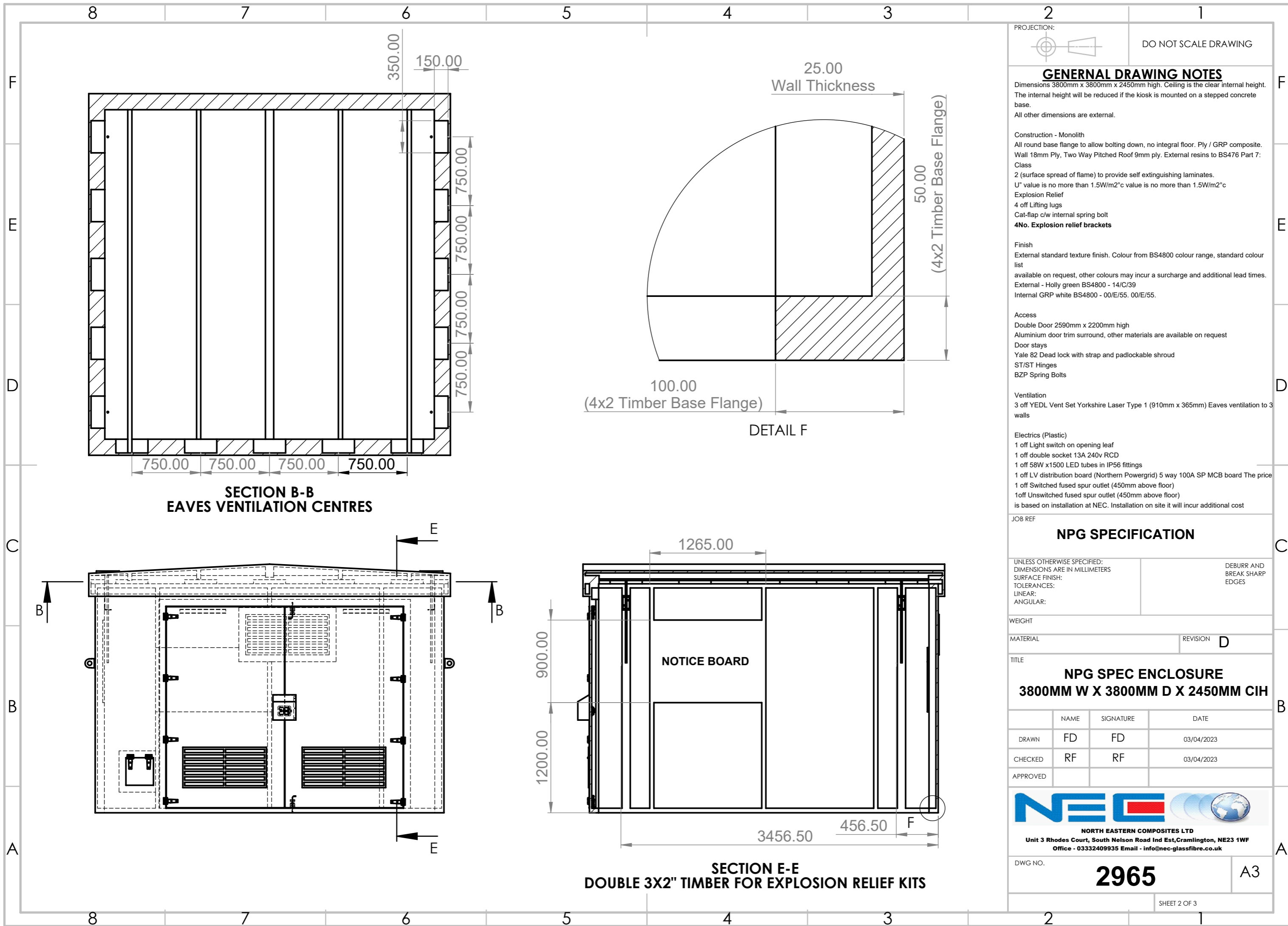
DWG NO.

2965

A3

SHEET 1 OF 3





PROJECTION:  DO NOT SCALE DRAWING

GENERAL DRAWING NOTES
 Dimensions 3800mm x 3800mm x 2450mm high. Ceiling is the clear internal height. The internal height will be reduced if the kiosk is mounted on a stepped concrete base. All other dimensions are external.

Construction - Monolith
 All round base flange to allow bolting down, no integral floor. Ply / GRP composite. Wall 18mm Ply, Two Way Pitched Roof 9mm ply. External resins to BS476 Part 7: Class 2 (surface spread of flame) to provide self extinguishing laminates. U* value is no more than 1.5W/m²c value is no more than 1.5W/m²c
 Explosion Relief
 4 off Lifting lugs
 Cat-flap c/w internal spring bolt
4No. Explosion relief brackets

Finish
 External standard texture finish. Colour from BS4800 colour range, standard colour list available on request, other colours may incur a surcharge and additional lead times.
 External - Holly green BS4800 - 14/C/39
 Internal GRP white BS4800 - 00/E/55. 00/E/55.

Access
 Double Door 2590mm x 2200mm high
 Aluminium door trim surround, other materials are available on request
 Door stays
 Yale 82 Dead lock with strap and padlockable shroud
 ST/ST Hinges
 BZP Spring Bolts

Ventilation
 3 off YEDL Vent Set Yorkshire Laser Type 1 (910mm x 365mm) Eaves ventilation to 3 walls

Electrics (Plastic)
 1 off Light switch on opening leaf
 1 off double socket 13A 240v RCD
 1 off 58W x1500 LED tubes in IP56 fittings
 1 off LV distribution board (Northern Powergrid) 5 way 100A SP MCB board The price
 1 off Switched fused spur outlet (450mm above floor)
 1 off Unswitched fused spur outlet (450mm above floor)
 is based on installation at NEC. Installation on site it will incur additional cost

JOB REF

NPG SPECIFICATION

UNLESS OTHERWISE SPECIFIED:
 DIMENSIONS ARE IN MILLIMETERS
 SURFACE FINISH:
 TOLERANCES:
 LINEAR:
 ANGULAR:

DEBURR AND BREAK SHARP EDGES

WEIGHT

MATERIAL

REVISION **D**

TITLE

NPG SPEC ENCLOSURE
3800MM W X 3800MM D X 2450MM CIH

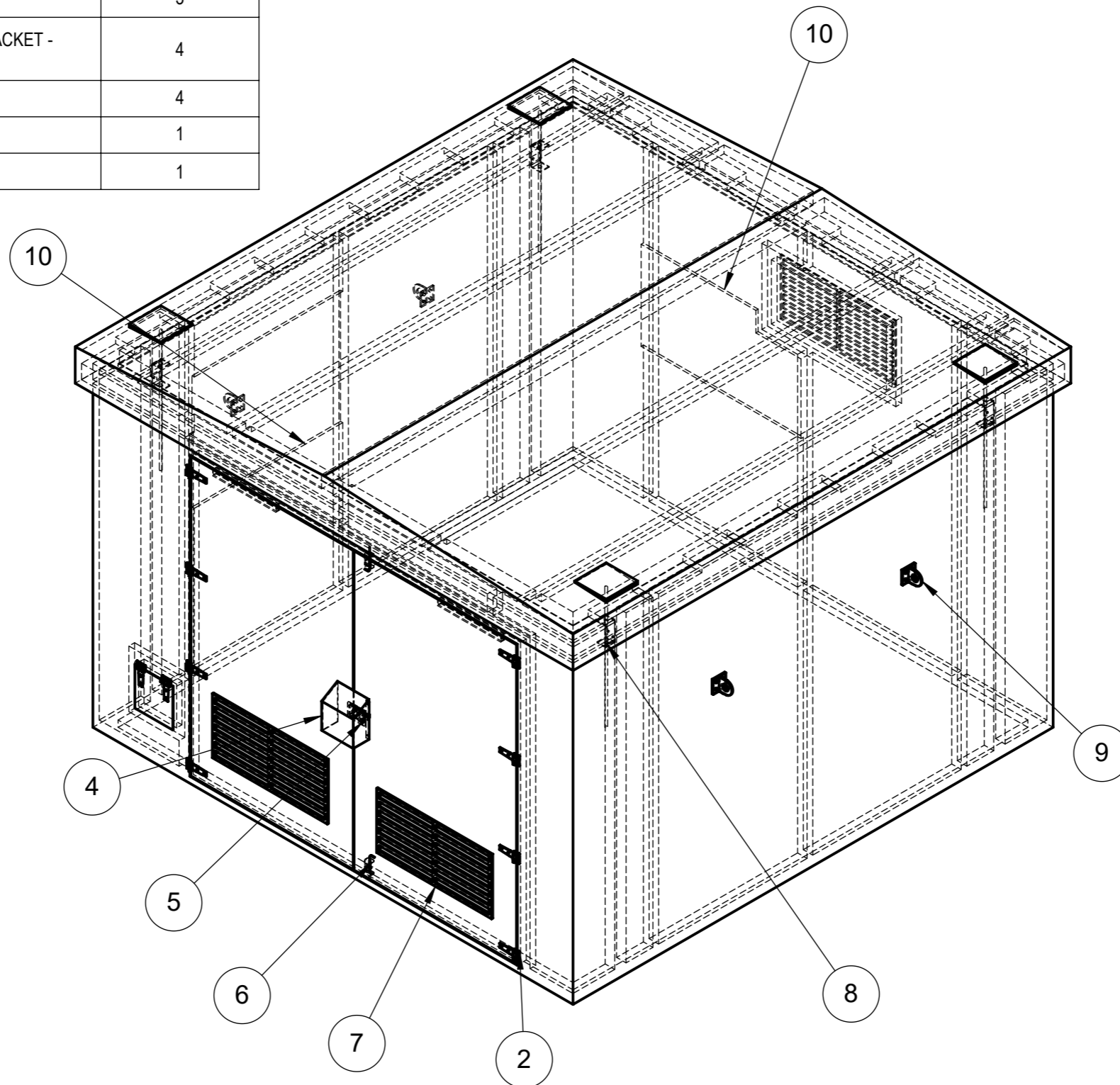
| | NAME | SIGNATURE | DATE |
|----------|------|-----------|------------|
| DRAWN | FD | FD | 03/04/2023 |
| CHECKED | RF | RF | 03/04/2023 |
| APPROVED | | | |

NEC 

NORTH EASTERN COMPOSITES LTD
 Unit 3 Rhodes Court, South Nelson Road Ind Est, Cramlington, NE23 1WF
 Office - 03332409935 Email - info@nec-glassfibre.co.uk

DWG NO. **2965** A3

| ITEM NO. | PART NUMBER | QTY. |
|----------|---|------|
| 2 | Stainless Steel Gate Hinges | 10 |
| 3 | Door Stays | 2 |
| 4 | Padlockable Shroud | 1 |
| 5 | Yale 82 Dead Lock | 1 |
| 6 | Shoot Bolts | 2 |
| 7 | Type 1 YEDL Vent 910 X 440 | 3 |
| 8 | Ø20MM EXPLOSION RELIEF BRACKET - 70MM X 75MM X 155MM HIGH | 4 |
| 9 | Heavy Duty Lifting Eyes | 4 |
| 10 | 18mm Plywood Backboard | 1 |
| 11 | Notice Board | 1 |



PROJECTION:



DO NOT SCALE DRAWING

GENERAL DRAWING NOTES

Dimensions 3800mm x 3800mm x 2450mm high. Ceiling is the clear internal height. The internal height will be reduced if the kiosk is mounted on a stepped concrete base. All other dimensions are external.

Construction - Monolith
 All round base flange to allow bolting down, no integral floor. Ply / GRP composite.
 Wall 18mm Ply, Two Way Pitched Roof 9mm ply. External resins to BS476 Part 7: Class 2 (surface spread of flame) to provide self extinguishing laminates.
 U" value is no more than 1.5W/m²c value is no more than 1.5W/m²c
 Explosion Relief
 4 off Lifting lugs
 Cat-flap c/w internal spring bolt
4No. Explosion relief brackets

Finish
 External standard texture finish. Colour from BS4800 colour range, standard colour list available on request, other colours may incur a surcharge and additional lead times.
 External - Holly green BS4800 - 14/C/39
 Internal GRP white BS4800 - 00/E/55. 00/E/55.

Access
 Double Door 2590mm x 2200mm high
 Aluminium door trim surround, other materials are available on request
 Door stays
 Yale 82 Dead lock with strap and padlockable shroud
 ST/ST Hinges
 BZP Spring Bolts

Ventilation
 3 off YEDL Vent Set Yorkshire Laser Type 1 (910mm x 365mm) Eaves ventilation to 3 walls

Electrics (Plastic)
 1 off Light switch on opening leaf
 1 off double socket 13A 240v RCD
 1 off 58W x1500 LED tubes in IP56 fittings
 1 off LV distribution board (Northern Powergrid) 5 way 100A SP MCB board The price
 1 off Switched fused spur outlet (450mm above floor)
 1off Unswitched fused spur outlet (450mm above floor)
 is based on installation at NEC. Installation on site it will incur additional cost

JOB REF

NPG SPECIFICATION

UNLESS OTHERWISE SPECIFIED:
 DIMENSIONS ARE IN MILLIMETERS
 SURFACE FINISH:
 TOLERANCES:
 LINEAR:
 ANGULAR:

DEBURR AND
 BREAK SHARP
 EDGES

WEIGHT

MATERIAL REVISION **D**

TITLE
**NPG SPEC ENCLOSURE
 3800MM W X 3800MM D X 2450MM CIH**

| | NAME | SIGNATURE | DATE |
|----------|------|-----------|------------|
| DRAWN | FD | FD | 03/04/2023 |
| CHECKED | RF | RF | 03/04/2023 |
| APPROVED | | | |

DWG NO. **2965** A3