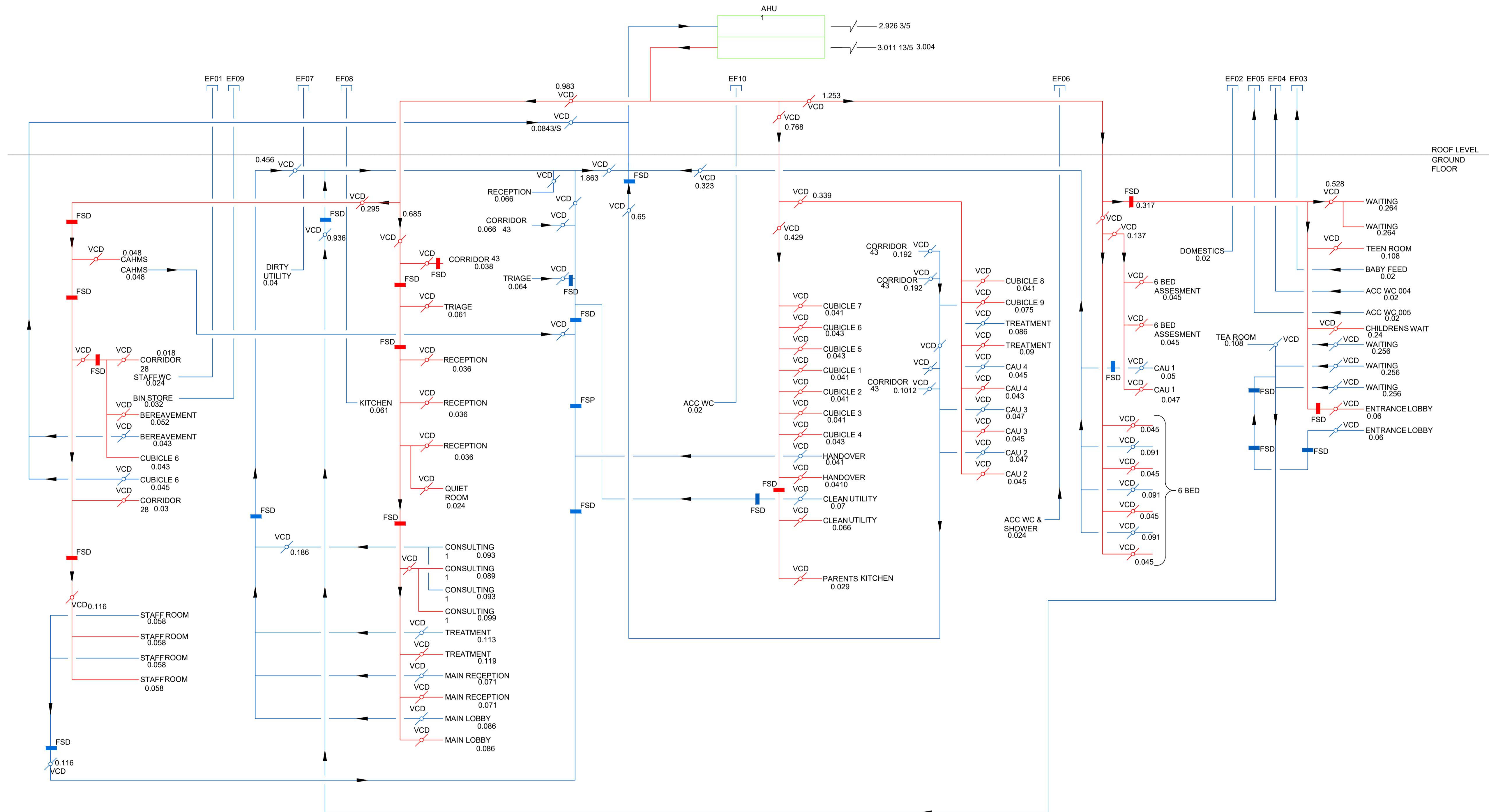


NOTES.


1. For building services information only.
2. Please refer to individual service drawings for further details of layouts.
3. All electrical information is for indicative purposes only and may vary. Please check the electrical layouts for full details.
4. All pipework to be securely clipped at correct centres.
5. Pipework within voids to be kept separate to other services.



A ISSUED FOR COMMENT 26/03/2020

COMMENTS

ISSUE	AMENDMENT	DATE	INITIAL


COMPLETE PIPEWORK SERVICES LTD
 UNIT 28 SHORTWOOD BUSINESS PARK
 HOYLAND
 BARNLEY
 S74 9LH
 Tel No. 01226 281152
 Fax No. 01226 786980

Project
 BARNLEY HOSPITAL CAU

Client
 I & G CONSTRUCTION LTD

Title
 VENTILATION SCHEMATIC

DRAWN DW CHECKED APPROVED DATE 26-03-2020

SCALE NTS A1 DRAWING

DRG.No. M010/BDGH/CAU ISSUE A