

DRAINAGE DESIGN 1:200

MANHOLE SCHEDULE

Manhole Number	Cover Level	Connections	Pipe			Manhole Size	Types	
			Code	Inverts	Diams Inv-soff		Manhole	Cover
S1	64.950	0	0	63.600	150	1200	TYPE C	D400
E. 438352.793 N. 408986.950	1.200							
S2	64.450	0	1	63.100	150	1200	HIGHWAY SILTTRAP	D400
E. 438353.565 N. 408979.643	1.200							
S3	64.200	1	1	62.850 61.200	150	1500	HIGHWAY SOAKAWAY	D400
E. 438362.404 N. 408980.526	1.200							

KEY

- Private surface water sewer and chamber. 110mm dia UPVC unless stated otherwise. IL 65.65
- Private foul water sewer and chamber. 110mm dia UPVC unless stated otherwise. IL 65.40
- CHANNEL: Linear drainage channel (Aco drain or similar) Position subject to final levels.
- Rodding Eye.
- LG: 300 x 600mm HDPE Yard gully to EN1401-1
- Foul water lateral connection
- Existing public combined sewer
- Soakaway crates (95% void ratio) Refer to specific detail

NOTES

All works to comply with Building Regulations Approved document Part H.

Drainage points shown are approximate and should be checked against the house type working drawings.

All existing drainage to be checked for line and level prior to commencement.

Soakaways to be positioned a minimum of 5m from buildings/roads and are not to be positioned within filled material.

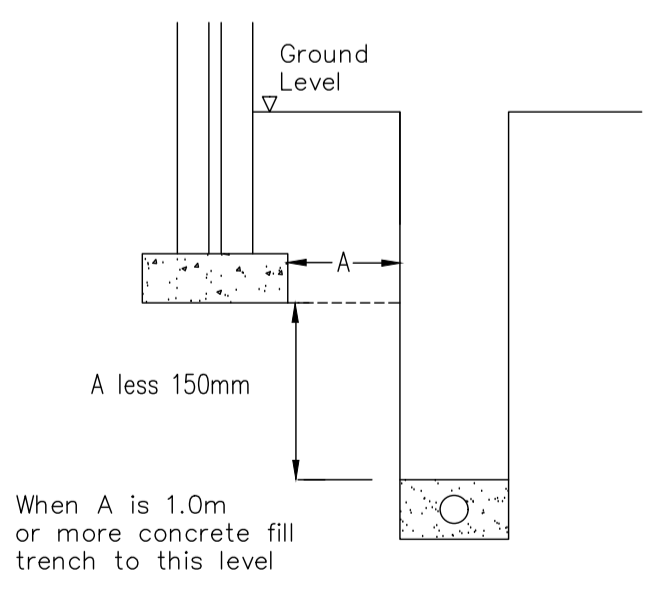
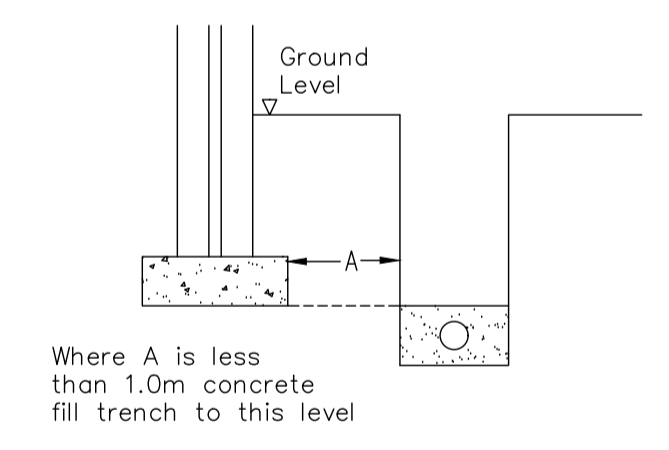
Where soakaways are located near large level differences checks should be made to ensure the strata is uniform and no impermeable materials are present that may cause lateral movement of water.

The position of Aco drains and gullies are subject to finished drive levels.

Finished floor levels are a guide only.

Invert levels shown are dependant upon finished ground levels and may need to be adjusted accordingly.

DESIGN INFILTRATION RATE – 8.2×10^{-5} m/s



IMPERMEABLE AREAS

Plots 1-5 – 90m² each
All driveways – 390m²

Rev	Details	Date	Drwn	Chk.
-----	---------	------	------	------

Dave Chambers
Bloemfontein Street
Cudworth, Barnsley
Drainage Plan

Dwg No. : STE/22/07/02
Date : 3-5-22
Scale : 1:200

SHAUN TONGE
ENGINEERING

11 Broomhead Road, Wombwell, Barnsley, S73 0SA.
Tel 01226 755929. Mobile 07528 278070. Email shauntongeengineering@yahoo.co.uk