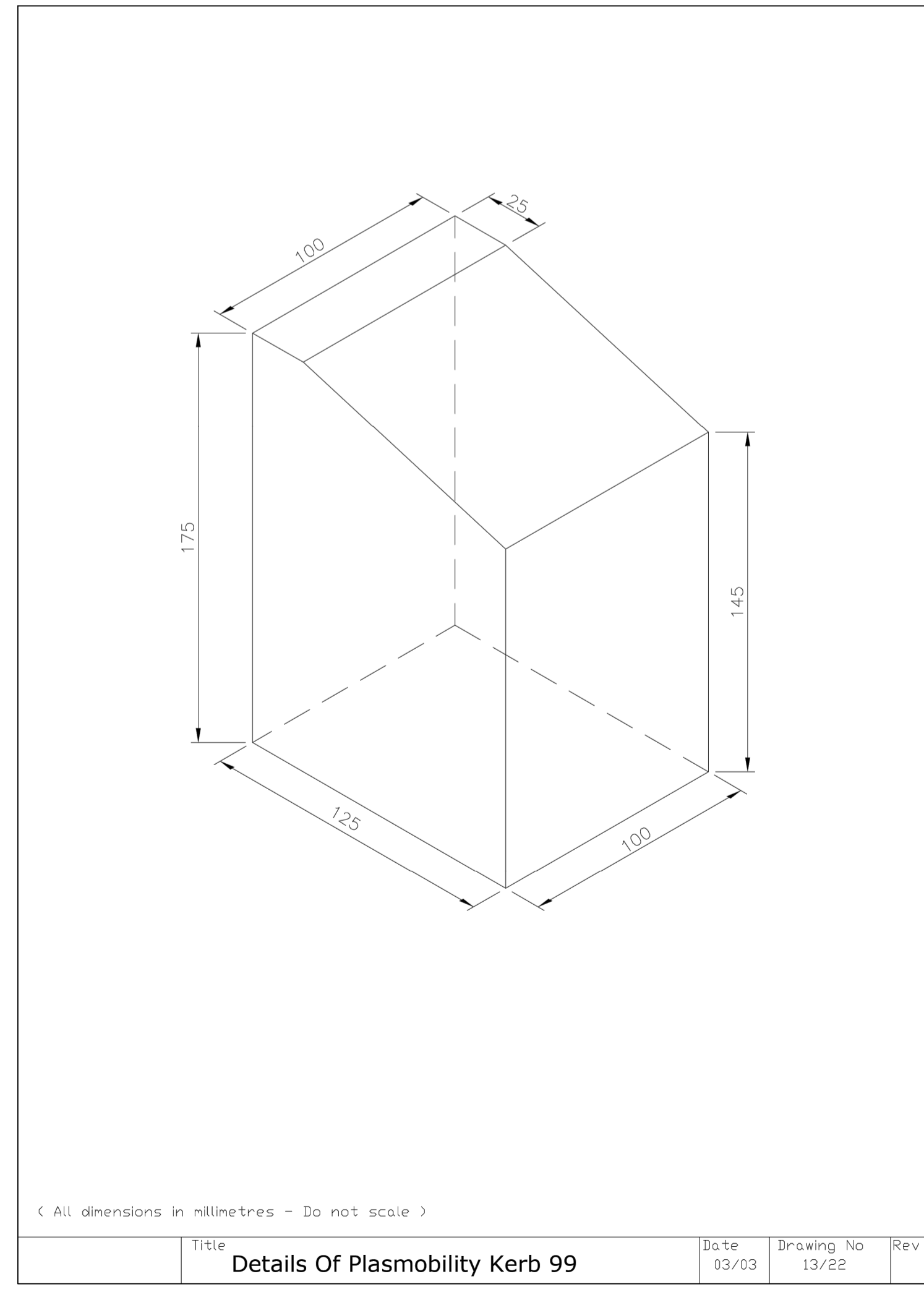
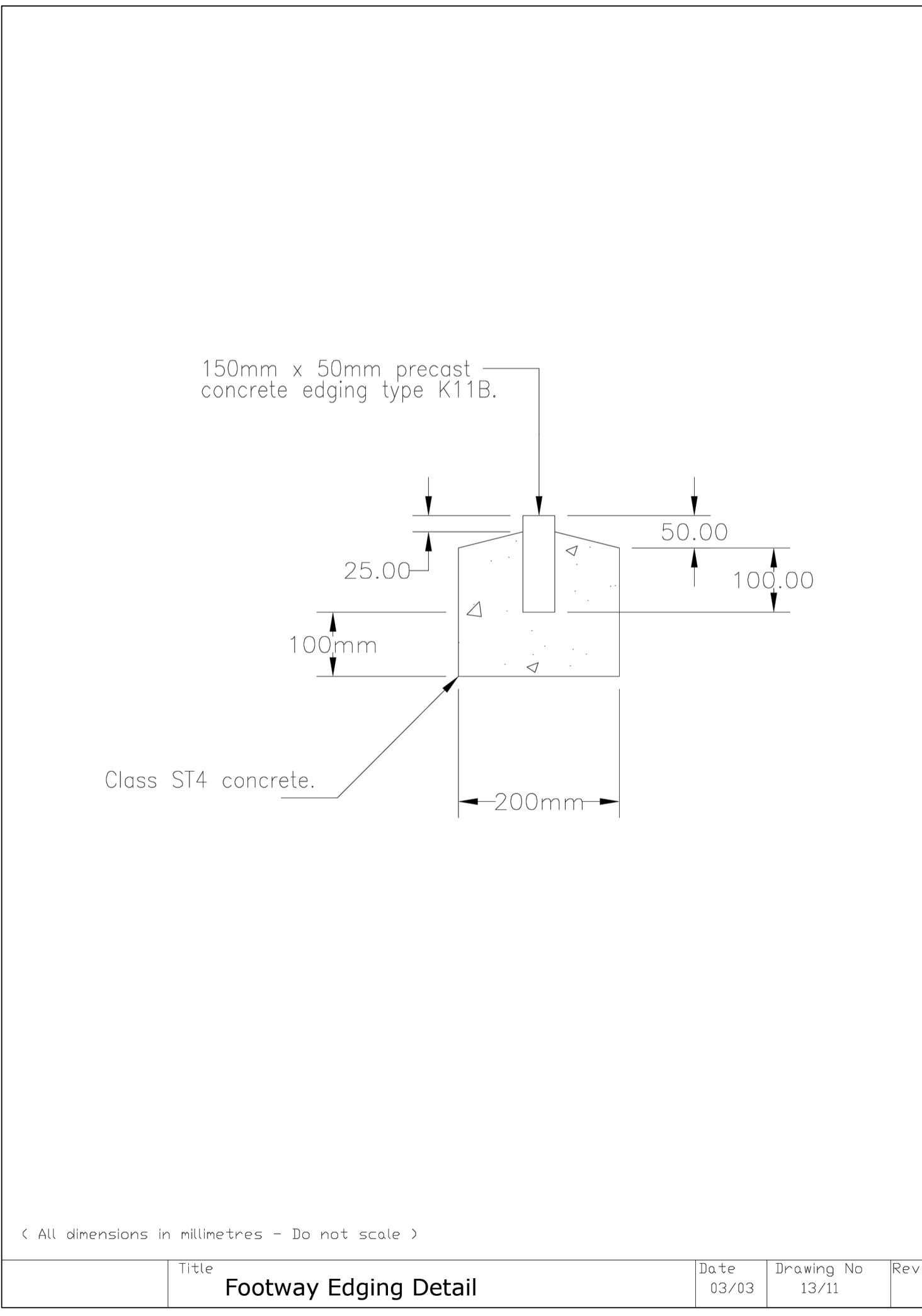
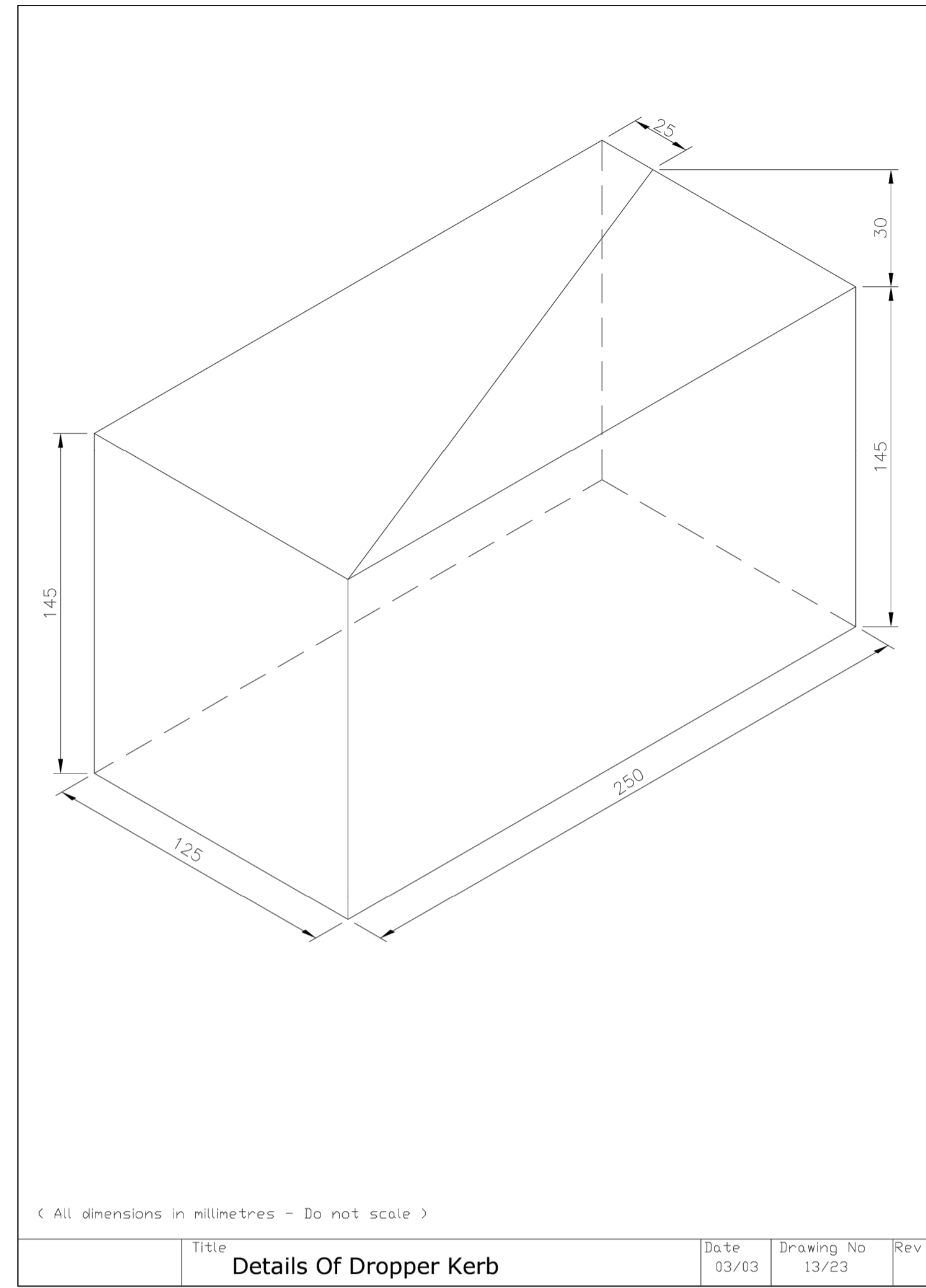
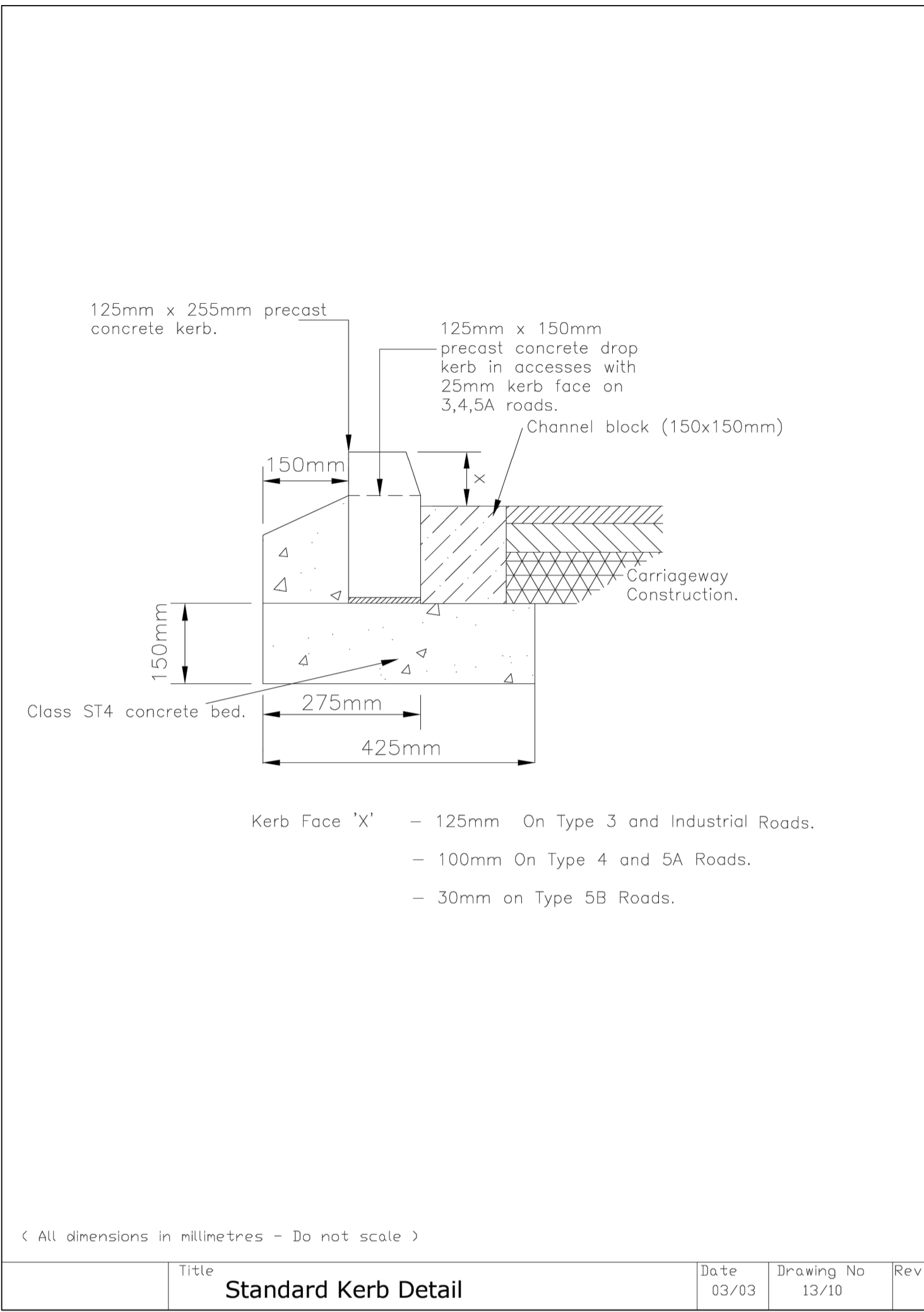


- GENERAL NOTES:
- THIS DRAWING IS TO BE READ IN CONJUNCTION WITH ALL OTHER RELEVANT ENGINEERING AND ARCHITECT'S DETAILS.
 - THE DESIGN DETAILS PRESENTED MUST BE REVIEWED IN CONJUNCTION WITH THE WIDER SITE INFORMATION AND SITE CONSTRAINTS WHICH MAY NOT BE EVIDENT ON DRAWING AND MUST BE REQUESTED IF NOT ALREADY PROVIDED. THIS INCLUDES, BUT NOT LIMITED TO, GROUND CONDITIONS (GEOTECHNICAL AND GEO-ENVIRONMENTAL), GROUNDWATER LEVELS, BURIED SERVICES, REMNANT OBSTRUCTIONS, ECOLOGY, TREE PROTECTION AND TOPOGRAPHY.
 - THE ENGINEER SHALL BE NOTIFIED IMMEDIATELY, IN WRITING, SHOULD ANY ERRORS OR DISCREPANCIES BE FOUND PRIOR TO THE COMMENCEMENT OR CONTINUATION OF ANY WORKS.
 - ALL WORK IS TO BE CARRIED OUT IN ACCORDANCE WITH CURRENT BRITISH STANDARDS, BUILDING REGULATIONS AND NHBC STANDARDS.
 - IT IS THE RESPONSIBILITY OF THE CONTRACTOR TO EXECUTE THE WORKS AT ALL TIMES IN STRICT ACCORDANCE WITH THE REQUIREMENTS OF THE HEALTH AND SAFETY AT WORK ACT 1974, AND THE C.O.M. REGULATIONS 2015. THE CONTRACTOR WILL BE DEEMED TO HAVE ALLOWED FOR FULL COMPLIANCE, INCLUDING FULL LIAISON WITH THE CDM CO-ORDINATOR, WITHIN HIS RATES.
 - ANY EXISTING DETAILS WHICH ARE SHOWN ON THIS DRAWING ARE FOR GUIDANCE ONLY AND ARE TO BE CHECKED ON SITE BY THE CONTRACTOR. ANY VARIATIONS ARE TO BE RECORDED AND REPORTED TO THE ENGINEER IMMEDIATELY.
 - BEFORE WORK COMMENCES CONTRACTOR SHOULD CONSULT THE ENGINEER AND THE SI REPORT REGARDING ANY CONTAMINATION ISSUES. ALL NECESSARY HEALTH AND SAFETY MEASURES TO BE TAKEN.
 - THE DETAILS PROVIDED ARE IN LINE WITH 'SOUTH-YORKSHIRE-RESIDENTIAL-DESIGN-GUIDANCE' AND 'PART 2 SPECIFICATION OF CONSTRUCTION MATERIALS AND STANDARD CONSTRUCTION DETAILS 'BJS/MS/3758.02/080104'



PO1	07.11.25	MS	TENDER DRAWING	RJ	RJ
REV.	DATE	DRAWN	DESCRIPTION	CHKD	APPRD
STATUS DESCRIPTION				STATUS	
FOR INFORMATION				S3	

HBL Consulting Civil & Structural Engineers

Craig House,
33 Ballbrook Avenue,
Manchester M20 3JD
+44 (0)161 432 9977 | www.hbl.tld

PROJECT: WOOLLEY COLLIERY

DRAWING TITLE: S38 CONSTRUCTION DETAILS SHEET SHEET 2

CLIENT: MJ GLEESON

HBL REF.	10701	DATE	07.11.25	SCALE(S)	NTS	A1	
DRAWN	MS	CHECKED	RJ	APPROVED	RJ		
DRAWING No.	10701-HBL-XX-XX-DR-C-5361					REV.	P01