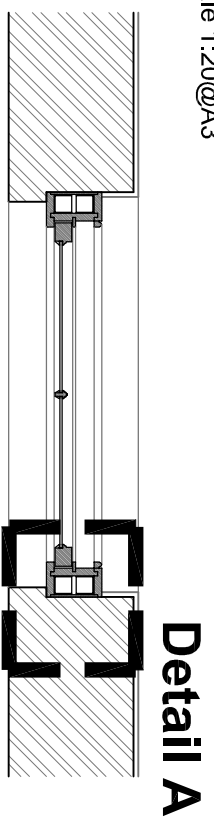


Elevation As Proposed

Scale 1:20@A3



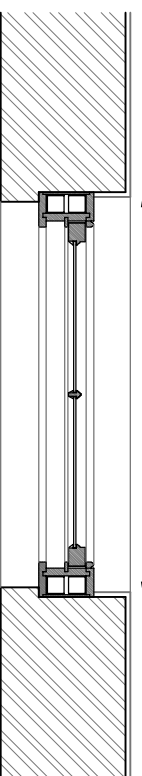
Detail A

Interior
Exterior

Section A-A As Proposed

Scale 1:20@A3

Width as existing window opening



Interior
Exterior

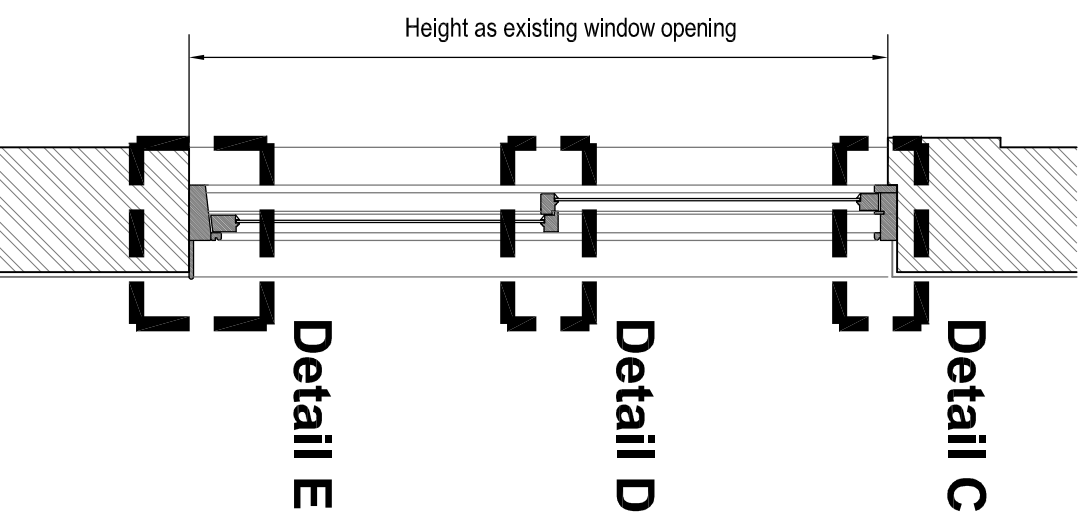
Section B-B As Proposed

Scale 1:20@A3

NOTE
Drawing to be read in conjunction with drawings 201 - 207 to identify individual windows by type.

Existing wall construction and lintols etc to be retained

New window frames to be made from FSC treated European Redwood, sills to be FSC Sapele and all finished in spray applied, water based, microporous paint, colour to be confirmed, casement profile to be Ovolo profile beading, glazing to be 6mm float glass. Safety glass to be fitted where necessary, all by Crookes & Son Joinery, 3 Shenstone Road, Sheffield S6 1SP, Tel 0114 233 0699 or equal approved



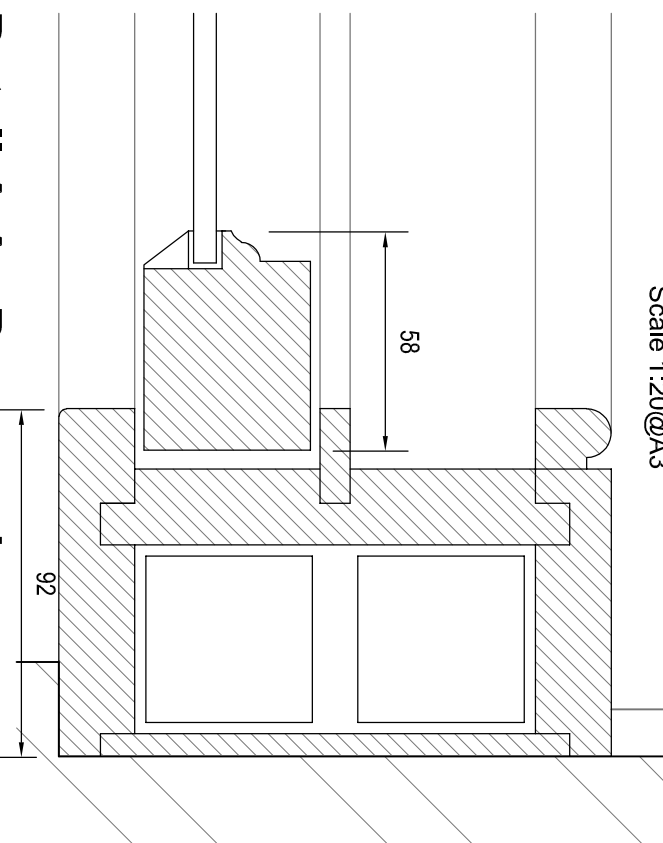
Detail C

Detail D

Detail E

Section C-C As Proposed

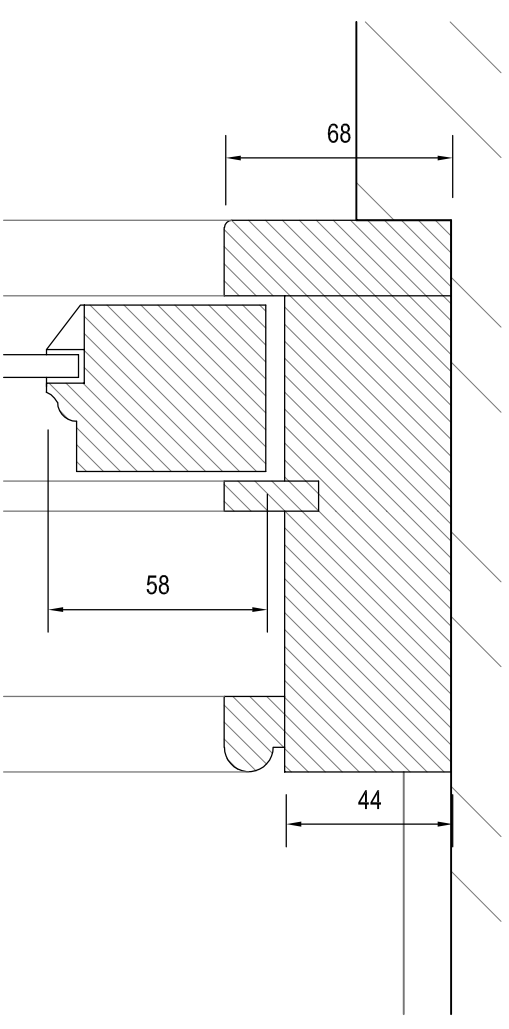
Scale 1:20@A3



Interior
Exterior

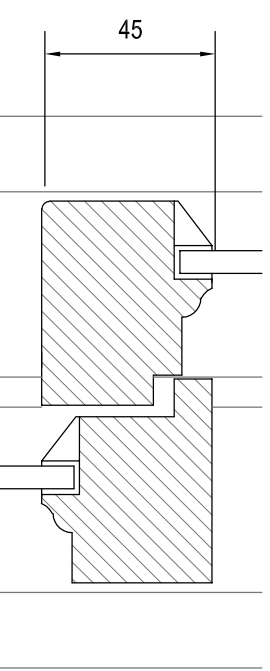
Detail A As Proposed

Scale 1:2@A3



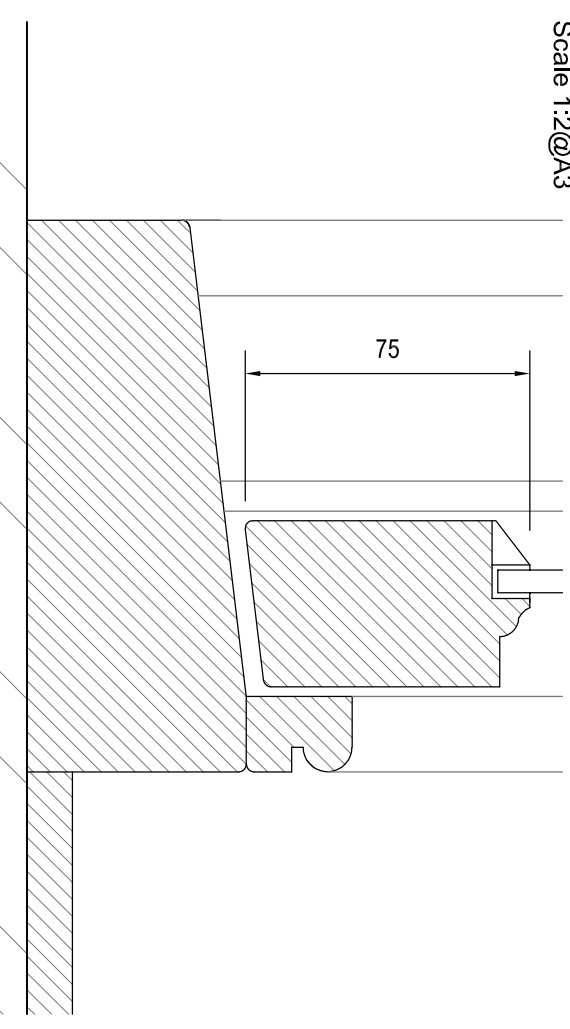
Detail C As Proposed

Scale 1:2@A3



Detail D As Proposed

Scale 1:2@A3



Detail E As Proposed

Scale 1:2@A3

ISSUED FOR PLANNING

REVISION	DATE	DRAWN	CHECKED	DESCRIPTION	SCALE	DATE
CLIENT	MS CHILDS & MS ASHURST				1:2&20@A3	SEPT 2022
PROJECT	58 ELDON STREET, BARNSELEY	DRAWN		CHECKED		
DRAWING TITLE	TYPICAL SASH WINDOW DETAIL	ML				
JOB NUMBER	2226	DRAWING NO.		REVISION		
					215	

TIMEARCHITECTS

Creative Conservation - Inspiring Design, Time Architects 226-228 Holme Lane, Sheffield, S64JZ
Registered Company Number in England and Wales: 8033393, Director: Michael Leigh
W: www.timearchitects.co.uk E: info@timearchitects.co.uk T: 0114 430 0114
© all rights reserved, report all discrepancies, do not scale from drawing, check dimensions on site