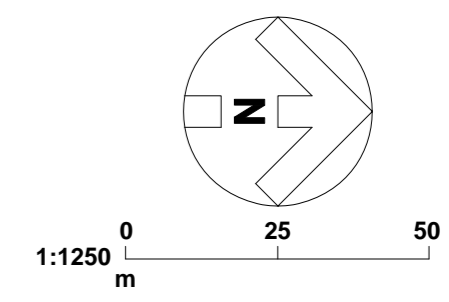
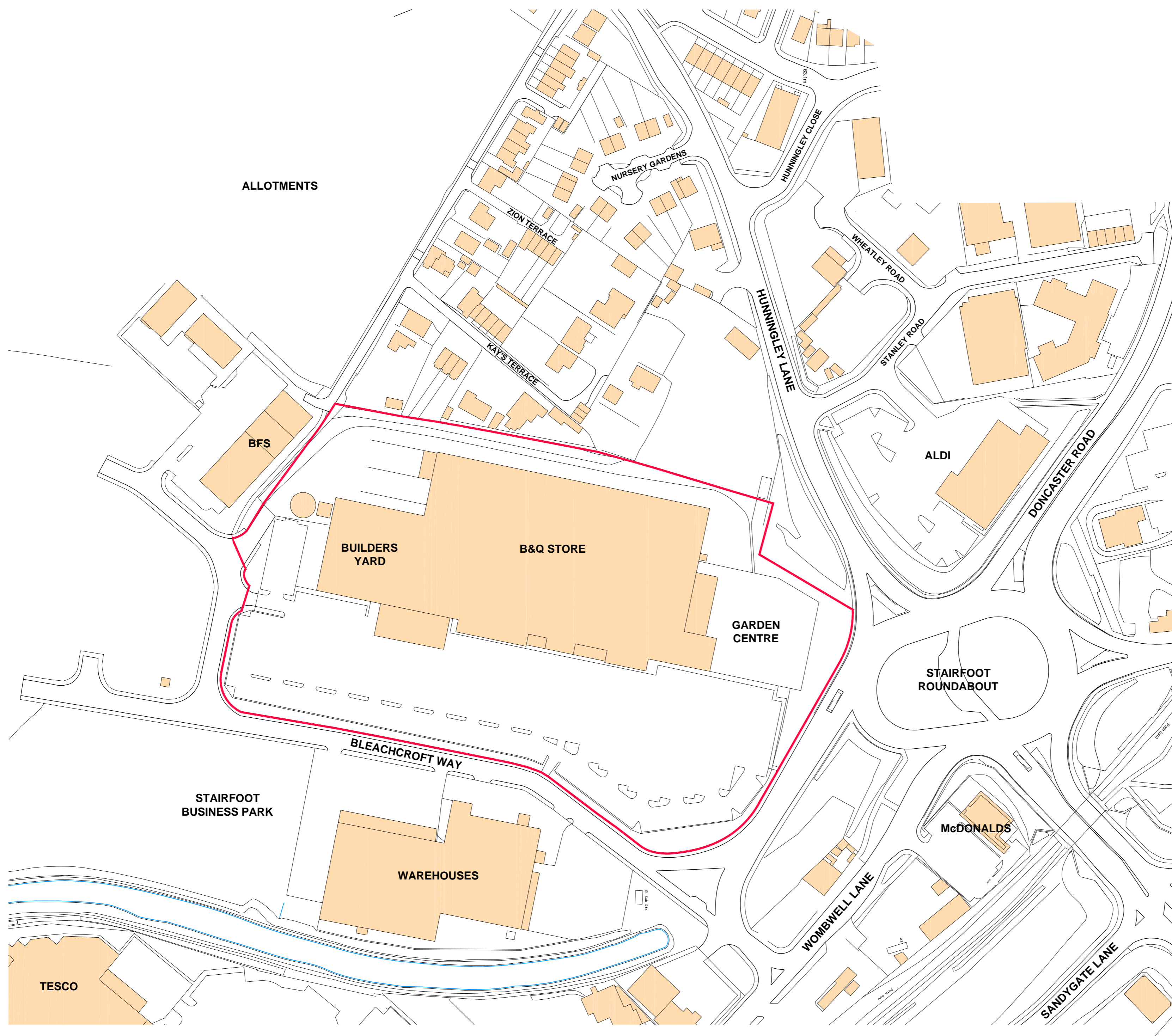


NOTES:
DO NOT SCALE FROM THIS DRAWING.
VERIFY ALL DIMENSIONS AND SETTING OUT ON SITE.
NOTIFY ANY DISCREPANCIES TO THE ARCHITECT.



This drawing is based on Ordnance Survey Data.

— Application boundary



REVISION: * BY: RHM CHECKED: DATE: 16/12/2013
 INITIAL ISSUE

PLANNING

PLOT DATE:

Sainsbury's

CLIENT: **STORE ACQUISITION
STAIRFOOT BUSINESS PARK
BARNSELY**

PROJECT: **SITE LOCATION PLAN**

DRAWING: **PC** SCALE: **1:1250 @ A2** DATE: **AUG 2013**

Hadfield Cawkwell Davidson
 17 Broomgrove Rd, Sheffield, S10 2LZ. T 0114 266 8181 F 0114 266 6246 www.hcd.co.uk

Architecture | Engineering | Interior Design | Masterplanning | Urban Design
 JOB NO: **2011-350** | DRAWING NO: **A-PL-001** | REV: *****
 S:\Architecture\2011-350\Drawings\Plot Sheets\PlanningA-PL-001 Location Plan.dwg ©HCD