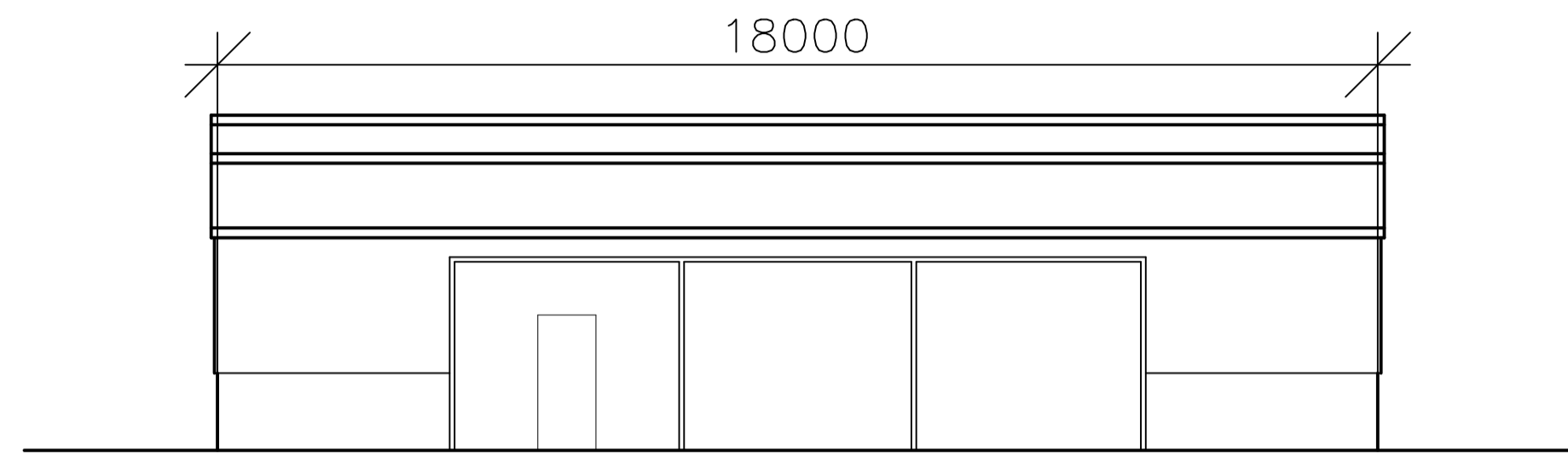
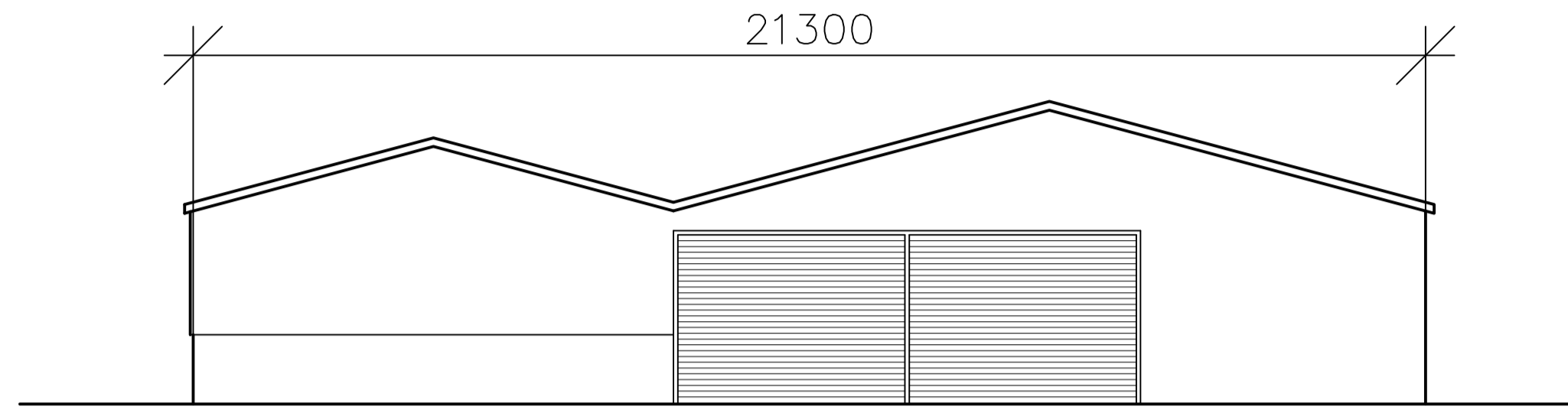


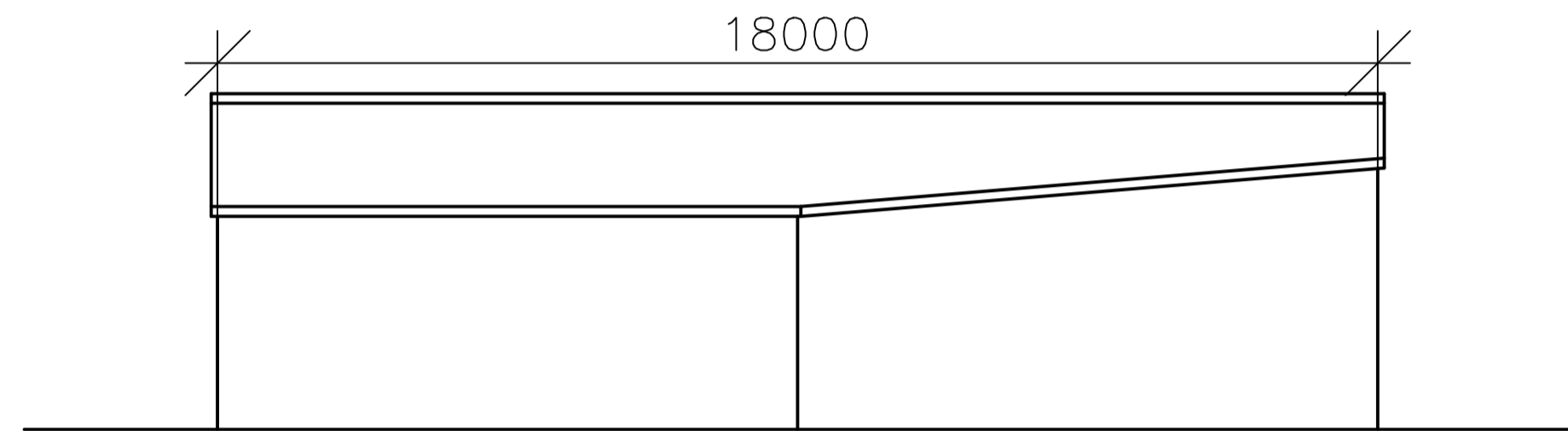
BUILDING B



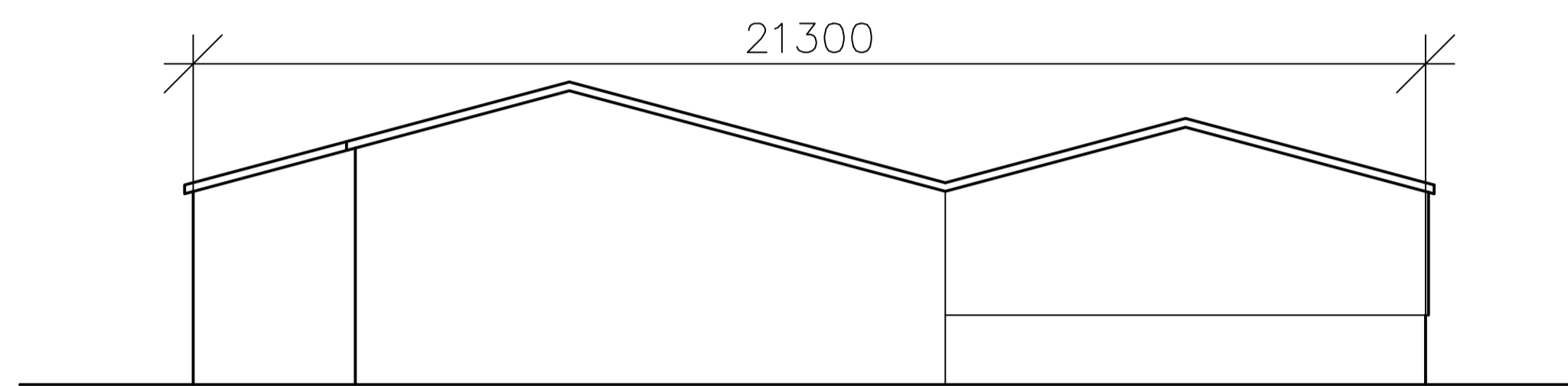
EAST



NORTH

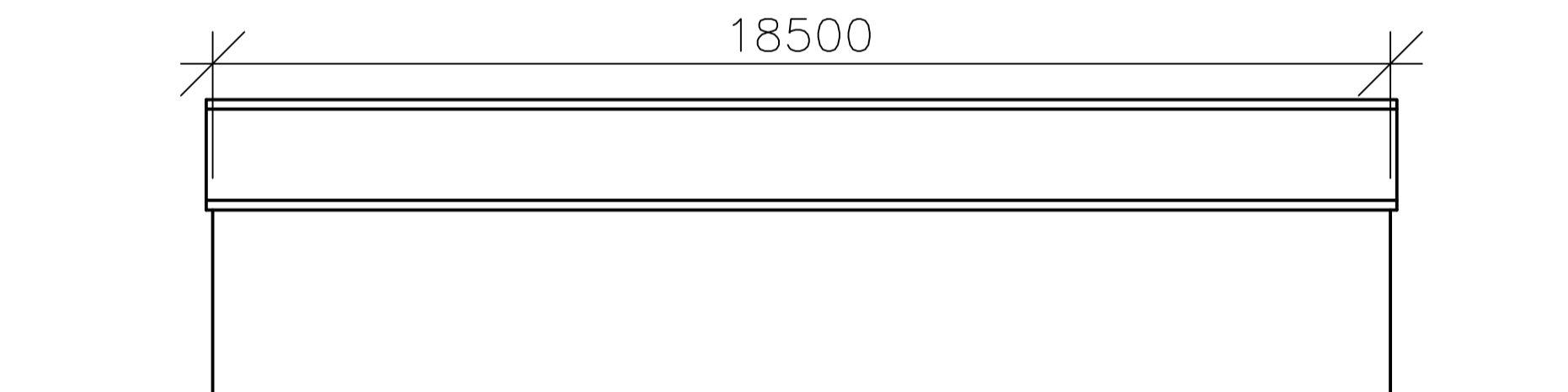


WEST

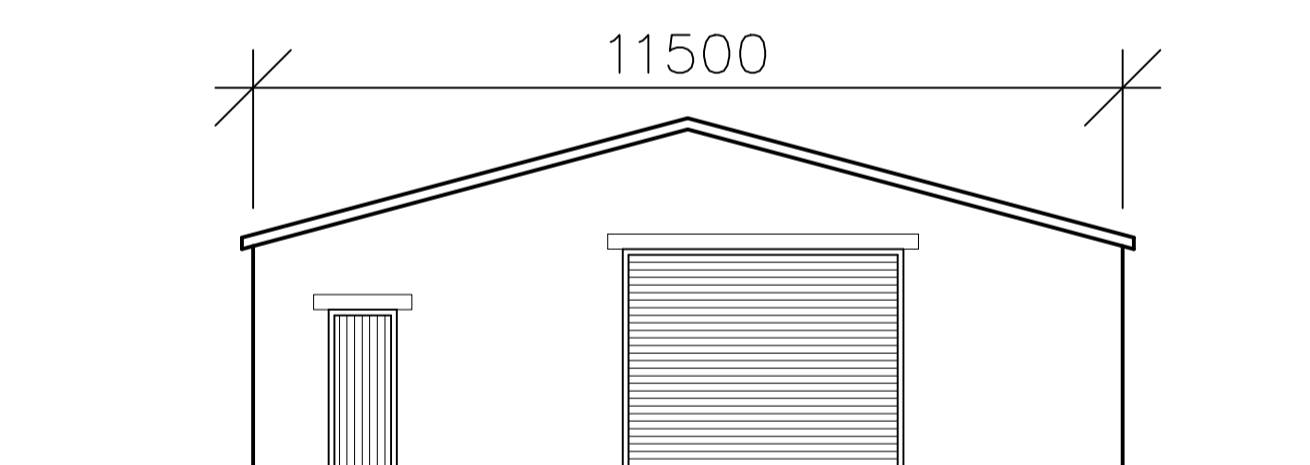


SOUTH

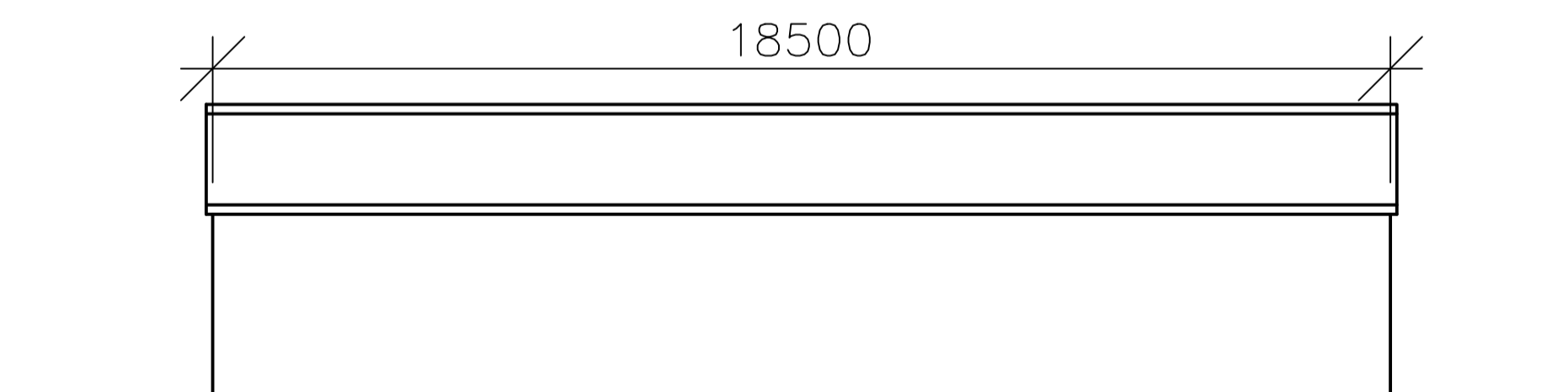
BUILDING C



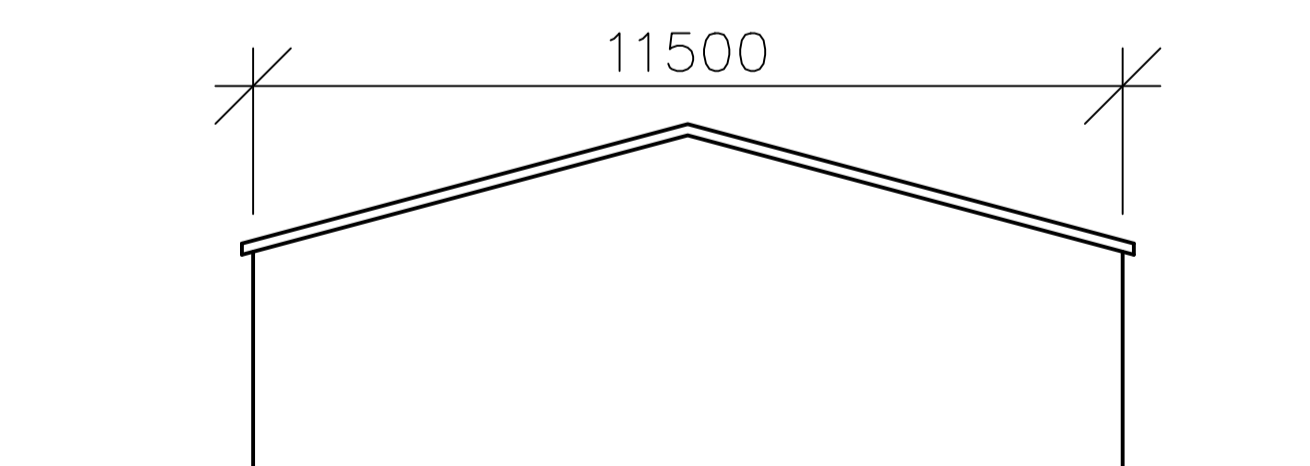
NORTH



EAST



SOUTH



WEST

© Copyright to Acorus Rural Property Services Ltd.
NOTES
 1. IF IN DOUBT ASK
 2. WRITTEN DIMENSIONS TO BE USED ONLY
 3. THIS DRAWING IS CONFIDENTIAL AND REMAINS THE EXCLUSIVE PROPERTY OF ACORUS. DO NOT COPY UNLESS AUTHORISED.

REVISIONS

No.	Date	Description	Ver.

Chartered Surveyors and Planning Consultants
 Pendeford House, Pendeford Business Park
 Wobaston Road, Wolverhampton, WV9 5AP
 Tel: (01902) 625023

JOB TITLE
CHANGE OF USE AT ANCHOR FARM, ELMHIRST LANE SILKSTONE, S75 4LD

CLIENT
MR L. HAYWOOD

DATE	FEB 17	SCALE	1:100
ORIGIN	JL	VERIFIED	TW

DRAWING TITLE
ELEVATIONS (buildings B and C)

FILE REF.	DRAWING No.	REV.
	ANCHOR -05	