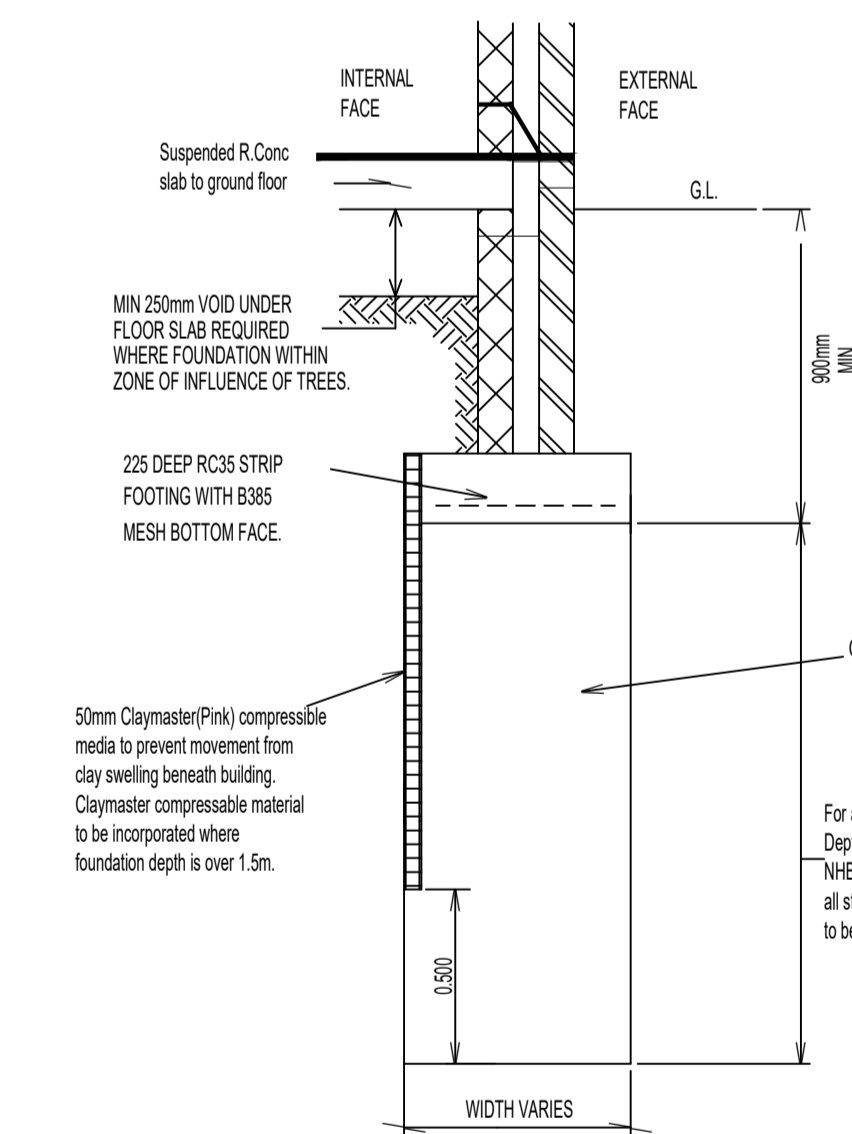


- NOTE:**
- FOUNDATION DEPTHS BASED ON DEPTH FROM FFL -0.45m.
  - GAS PROTECTION MEASURES TO BE CONFIRMED. AMBER 1 GAS PROTECTION ADVISED IN FORMER OPENCAST AREA.
  - WHERE FOUNDATIONS COME INTO CONTACT WITH SHALLOW COAL, FOUNDATIONS SHOULD BE DEEPEMED INTO NATURAL STRATA BELOW.
  - CONCRETE TO BE SULPHATE CLASS DS-1 AC-2z IN NATURAL STRATA & DS-2 AC-2 IN MADE GROUND. SULPHATE RESISTING CONCRETE TO BE USED WHERE IN CONTACT WITH COAL.
  - POSSIBILITY OF MINE ENTRIES/BELLPITS WITHIN THE SITE TO BE INVESTIGATED FOLLOWING SITE STRIP.
  - PILED FOUNDATIONS REQUIRED TO OPENCAST AREA WITH POSSIBLE PRE-DRILLING REQUIRED TO HIGHWALL LOCATION TO ENSURE SUFFICIENT SOCKET INTO ROCK STRATA.
  - BROKEN GROUND WAS IDENTIFIED IN BH R8 IN THE VICINITY OF PLOTS 19-21. FURTHER BOREHOLES MAY BE REQUIRED TO SATISFY BMBC AND CONFIRM FOUNDATION TYPES.
  - RE-ENGINEERED GROUND REQUIRED WHERE PROPOSED RETAINING WALLS ARE RAISED ABOVE EXISTING GROUND LEVELS.

- KEY**
- 0.9 - 1.4
  - 1.4 - 1.8
  - 1.8 - 2.4
  - 2.4 - 3.0 (Deep Strip otherwise Piled)
  - > 3.0 PILED
  - ✳ POSSIBLE TREE INFLUENCE
  - ▨ FORMER OPENCAST AREA

- KEY**
- 1.2m MIN FOUNDATION DEPTH BELOW THE LOWER OF EXISTING OR PROPOSED GROUND LEVEL
  - 1.5m MIN FOUNDATION DEPTH BELOW THE LOWER OF EXISTING OR PROPOSED GROUND LEVEL
  - 1.8m MIN FOUNDATION DEPTH BELOW THE LOWER OF EXISTING OR PROPOSED GROUND LEVEL
  - 2.1m MIN FOUNDATION DEPTH BELOW THE LOWER OF EXISTING OR PROPOSED GROUND LEVEL
  - 2.4m MIN FOUNDATION DEPTH BELOW THE LOWER OF EXISTING OR PROPOSED GROUND LEVEL
- NOTE:** FOUNDATIONS TO BE AT LEAST 0.9m BELOW THE LOWER OF EXISTING OR PROPOSED GROUND LEVEL

- NOTE:**
- Where solid mudstone or sandstone encountered, foundation depths may be terminated at that level. If unsure, engineer to inspect. Foundation must wholly rest onto the same strata to avoid differential settlement.



**DETAIL 1**

- NOTE:**
- Foundation Depths to be min 900mm unless otherwise stated. Foundation depths vary over site, see foundation plan indicating min depth. Concrete strip reinforced with B385 mesh in bottom face. All steps in foundations to be in accordance with NHBC guidelines.

1. THIS DRAWING TO BE READ IN CONJUNCTION WITH ALL RELEVANT ARCHITECTS & ENGINEERS DRAWINGS.
2. CONCRETE GRADE RIBS IN ACCORDANCE WITH BS 5328.
3. MIN COVER FOR REINFORCEMENT 40mm TO ALL FACES.
4. MIN LAPS 40 BAR DIAM FOR MAIN STEEL.
5. 300mm FOR MESH PANELS.
6. MESH IN TOP FACE TO BE ADEQUATELY SUPPORTED WITH STEEL CHAIRS OR COILED MESH PRIOR TO CONCRETE POUR
7. LOCAL SOFT SPOTS TO BE REPORTED TO MHA.
8. ALL REINFORCED CONCRETE TO BE ADEQUATELY VIBRATED.
9. EXCAVATION TO BE CLEAN AND DRY WHEN CONCRETE IS CAST.

Rev A Amended to suit latest planning layout 23.01.26 HN

**Haigh Huddleston & Associates**  
Civil Structural Engineering Consultants

Unit 4, Midgley Business Park, Bar Lane, Midgley, WF4 4JJ 1 01924 574074  
e martin@haighhuddleston.co.uk

Client  
**KEPDMOAT**

Project  
**KERESFORTH ROAD, DODWORTH**

Detail  
**FOUNDATION ZONING PLAN - SHEET 1 OF 2**

Dwn Chkd Date Scale Dwg No.  
CM OCT-20 1:500@A0 E207774/201-01A