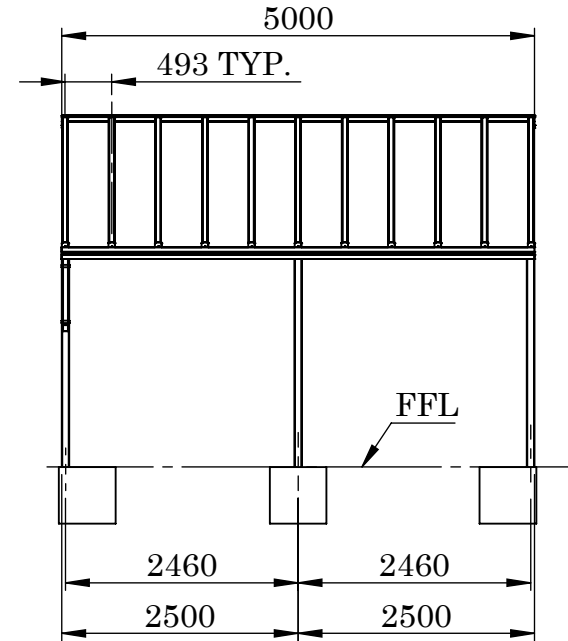
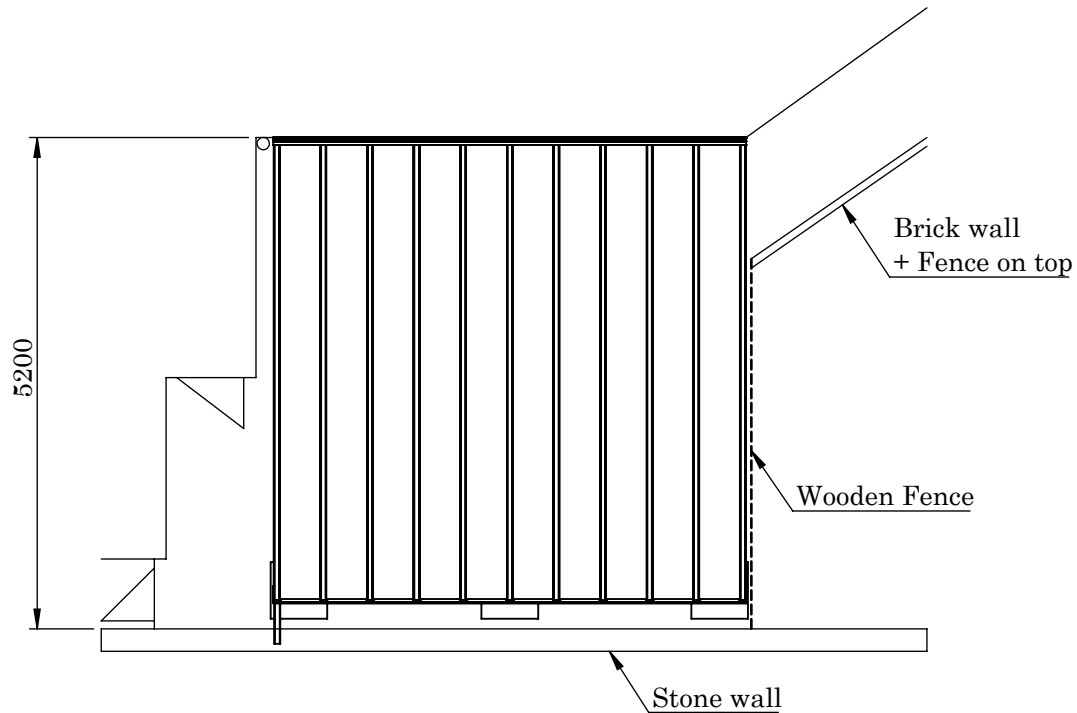


FRONT VIEW & ROOF TOP VIEW WITH BUILDING



Execution Class 2



Originator :

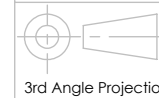
Able Canopies Ltd

Drawing Title :

Sandpit Nursery

Product Name :

Coniston WM (A Babies Outside Area)

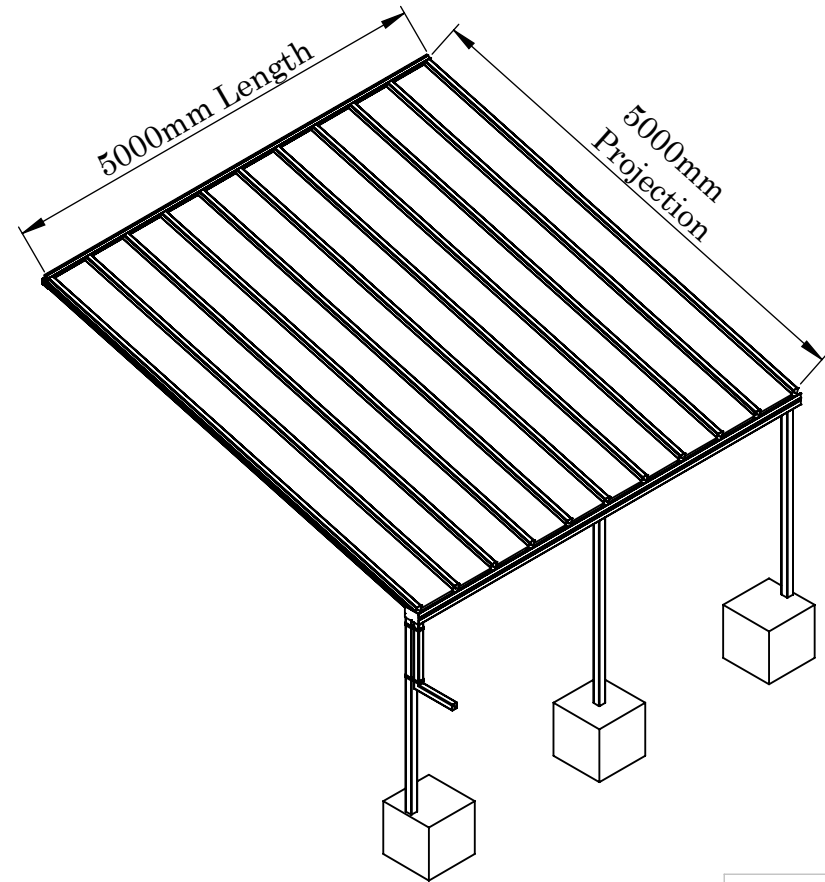
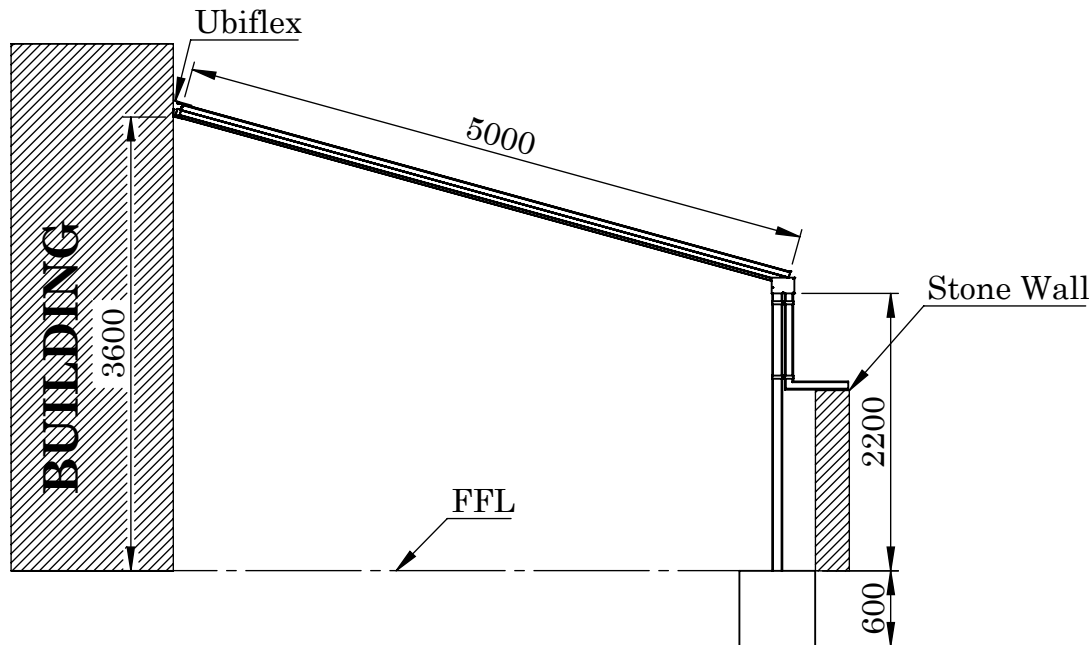


Page	Date	Page Size	Scale	Drawn
1 OF 4	18/03/25	A4 (L)	NTS	AK

This drawing and the product it displays is the sole property of Able Canopies Ltd. Any reproduction of the drawing or product without the written permission of Able Canopies Ltd is prohibited.

Finish	Issuer	(Tol) +/-	Sequence	Revision
PPC	ACS	1 mm	000001	v1.0

CROSS SECTION VIEW & ISOMETRIC VIEW



Originator :

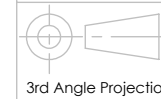
Able Canopies Ltd

Drawing Title :

Sandpit Nursery

Product Name :

Coniston WM (A Babies Outside Area)



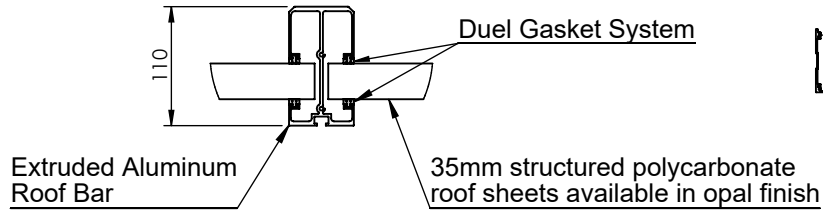
Page	Date	Page Size	Scale	Drawn
2 OF 4	18/03/25	A4 (L)	NTS	AK

This drawing and the product it displays is the sole property of Able Canopies Ltd. Any reproduction of the drawing or product without the written permission of Able Canopies Ltd is prohibited.

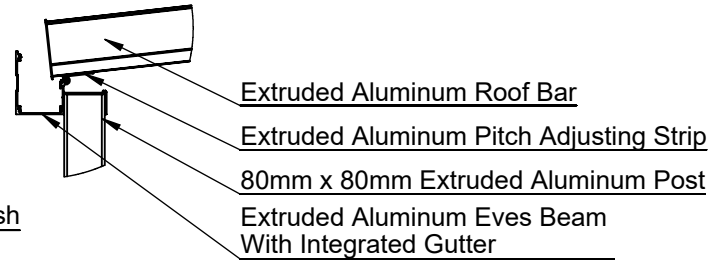
Finish	Issuer	(Tol) +/-	Sequence	Revision
PPC	ACS	1 mm	000001	v1.0

PRODUCT DETAIL

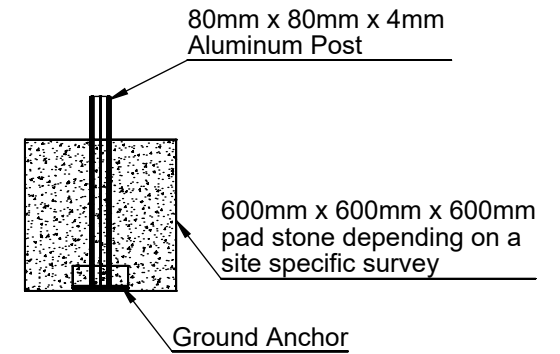
Roof Bar & Sheet Section



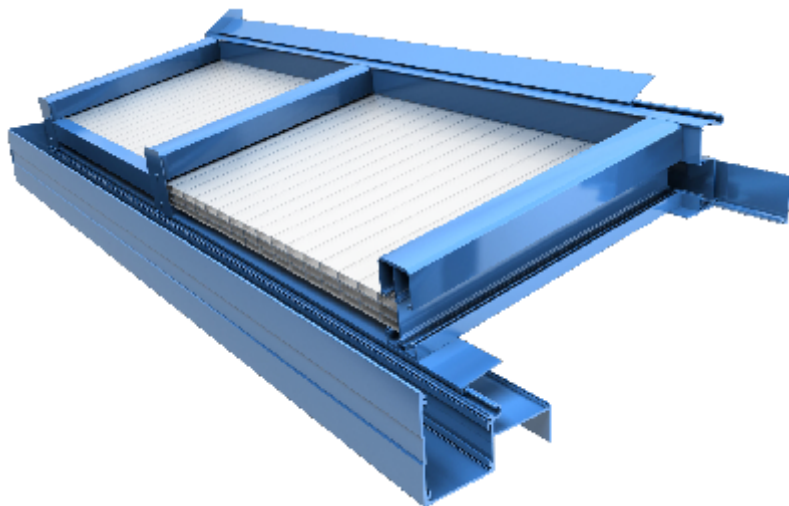
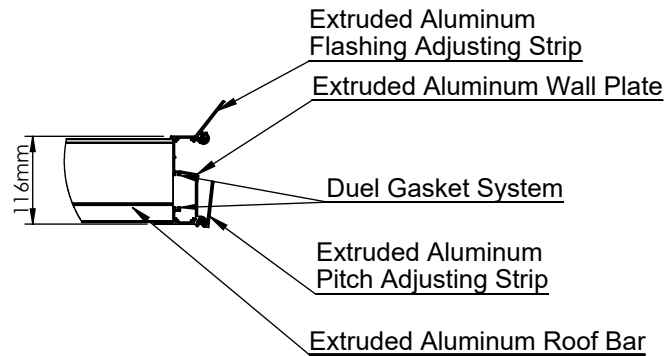
Eaves Beam Roof Bar & Post Section



Base & Post Connection Information



Wall Plate & Roof Bar Section



Originator :

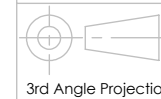
Able Canopies Ltd

Drawing Title :

Sandpit Nursery

Product Name :

Coniston WM (A Babies Outside Area)



Page

Date

Page Size

Scale

Drawn

3 OF 4

18/03/25

A4 (L)

NTS

AK

This drawing and the product it displays is the sole property of Able Canopies Ltd. Any reproduction of the drawing or product without the written permission of Able Canopies Ltd is prohibited.

Finish

Issuer

(Tol)
+/-
1 mm

Sequence

Revision

PPC

ACS

000001

v1.0

DRAWING REGISTER

Description	Drawing No	Drawn By:	Checked By (Able):	Has this been revised?	Reason For Revision?
Coniston WM (A Babies Outside Area)	v1.0	AK	Able	No	



Originator :

Able Canopies Ltd

Drawing Title :

Sandpit Nursery

Product Name :

Coniston WM (A Babies Outside Area)



3rd Angle Projection

Page	Date	Page Size	Scale	Drawn
4 OF 4	18/03/25	A4 (L)	NTS	AK

This drawing and the product it displays is the sole property of Able Canopies Ltd. Any reproduction of the drawing or product without the written permission of Able Canopies Ltd is prohibited.

Finish	Issuer	(Tol) +/-	Sequence	Revision
PPC	ACS	1 mm	000001	v1.0