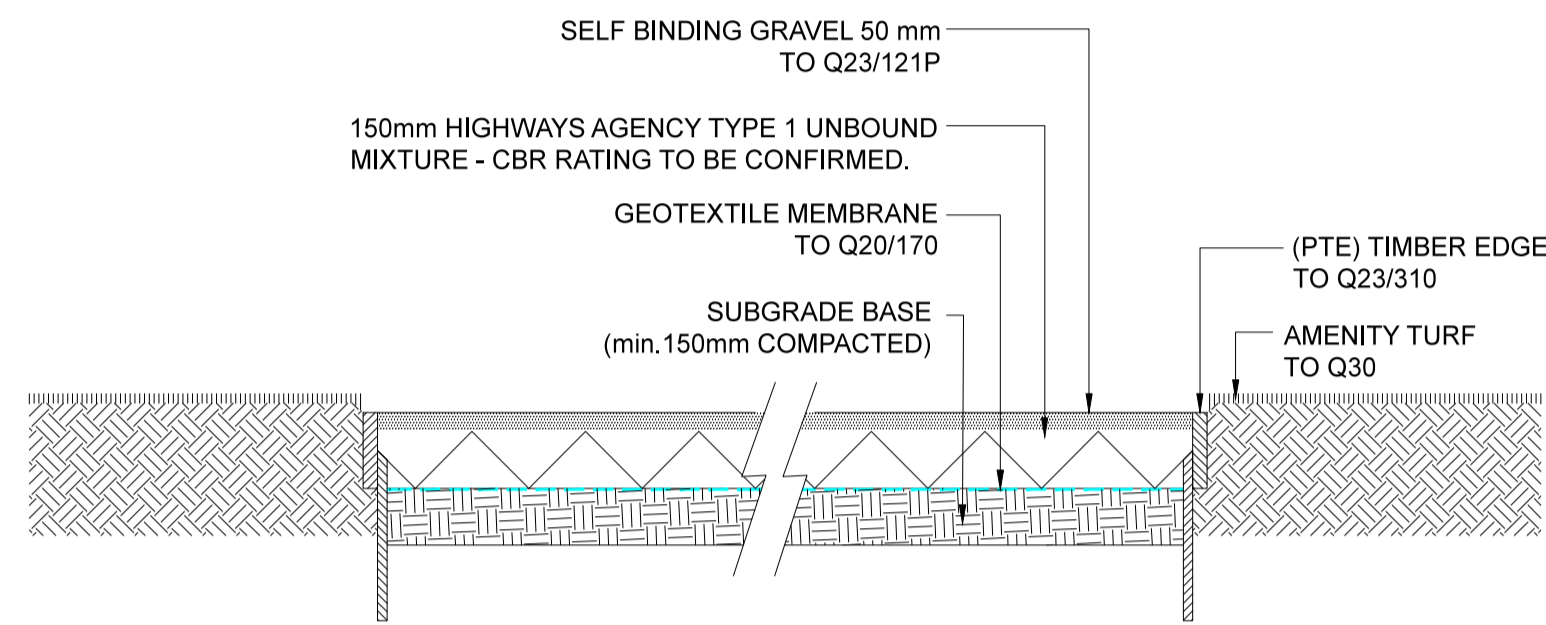
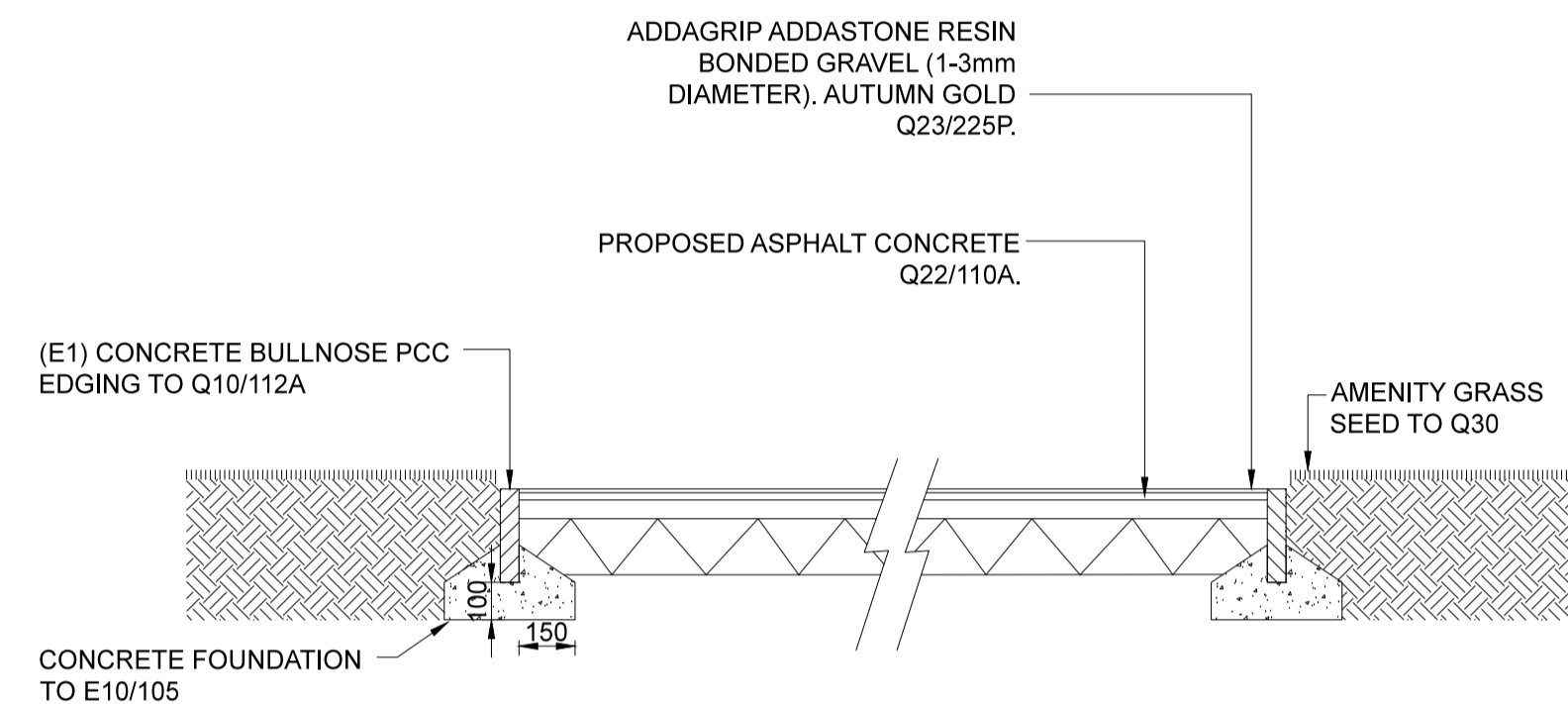


SURFACE DETAILS

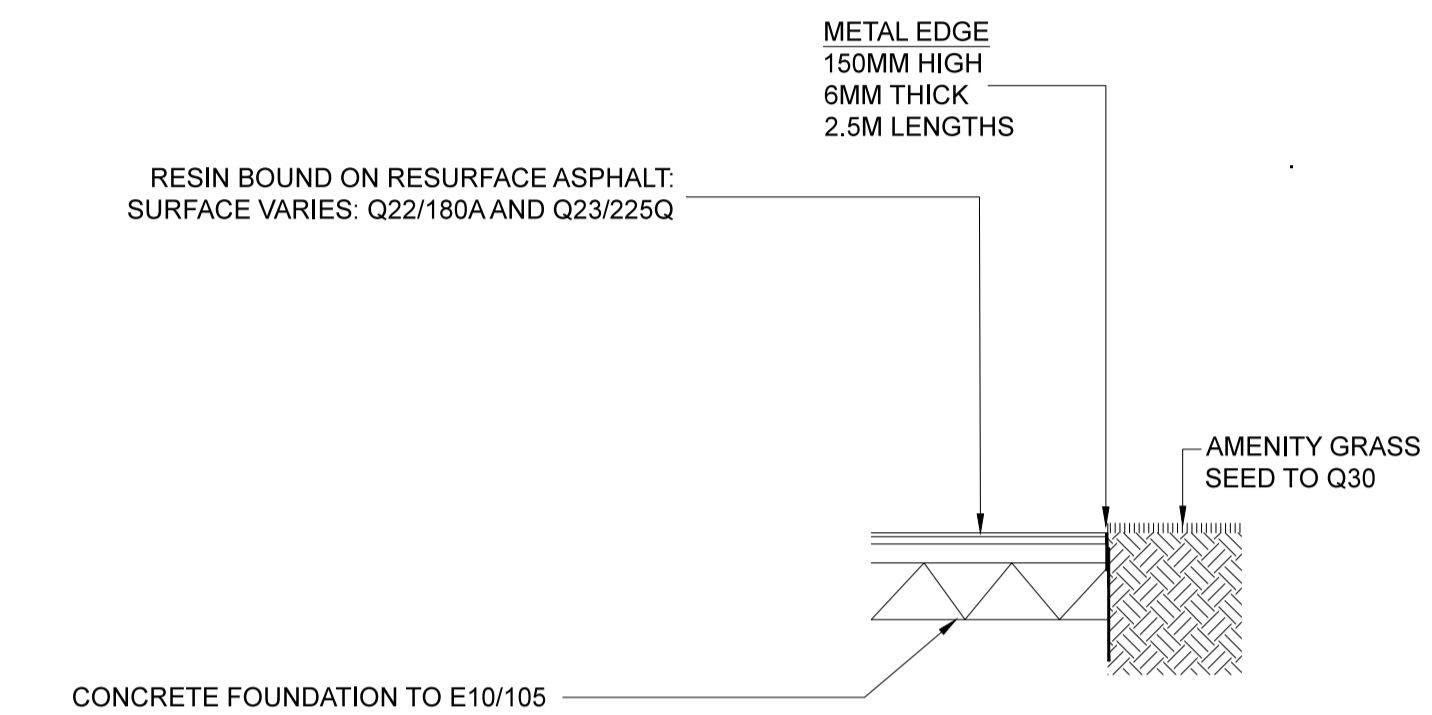
DETAIL 01: PROPOSED SELF BINDING GRAVEL PATH WITH TIMBER EDGING



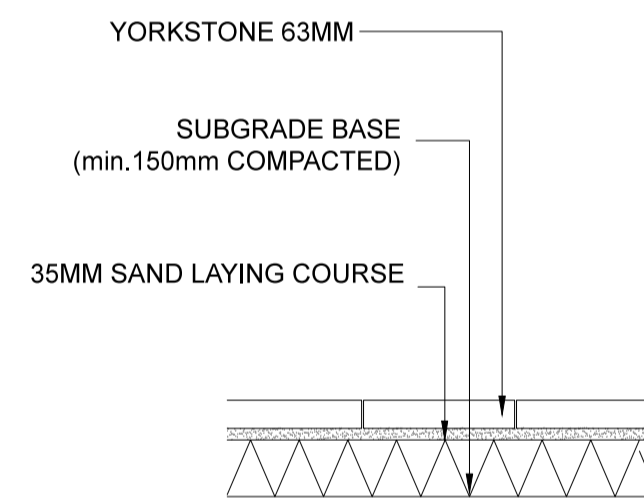
DETAIL 02: PROPOSED RESIN BONDED GRAVEL FOOTPATH WITH CONCRETE PCC EDGING



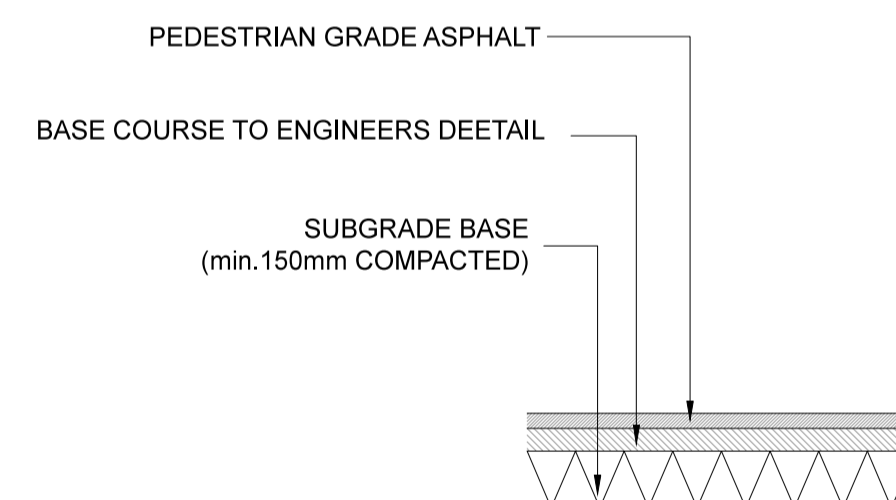
DETAIL 03: PROPOSED RESIN BOUND GRAVEL WITH METAL EDGE



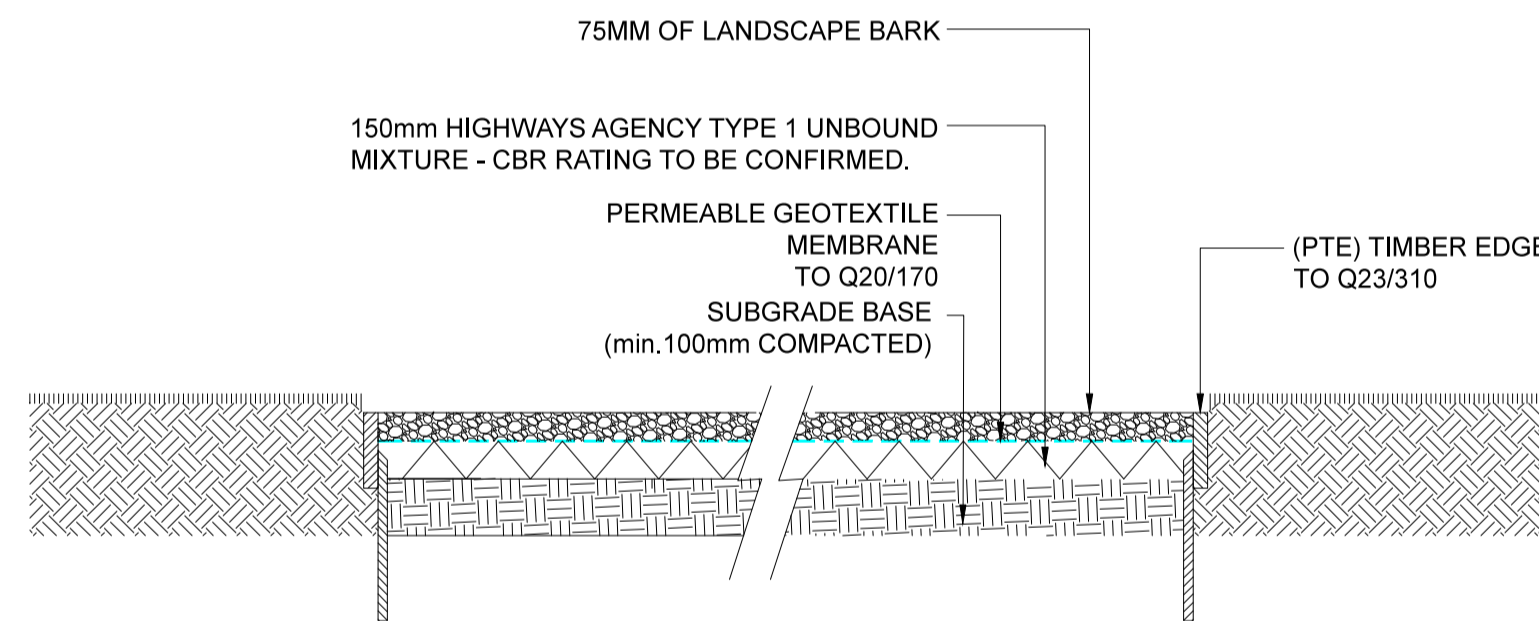
DETAIL 04: PROPOSED GREENMOOR YORK STONE PAVING



DETAIL 05: PEDESTRIAN ASPHALT

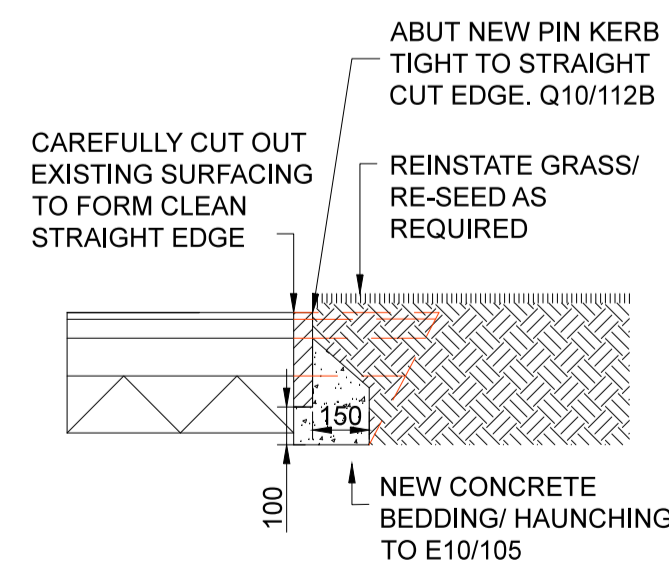


DETAIL 06: BARK MULCH FOOTPATH

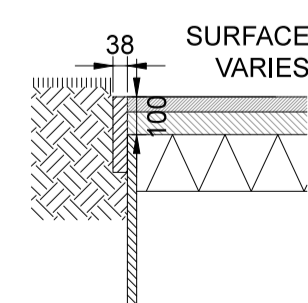


EDGING DETAILS

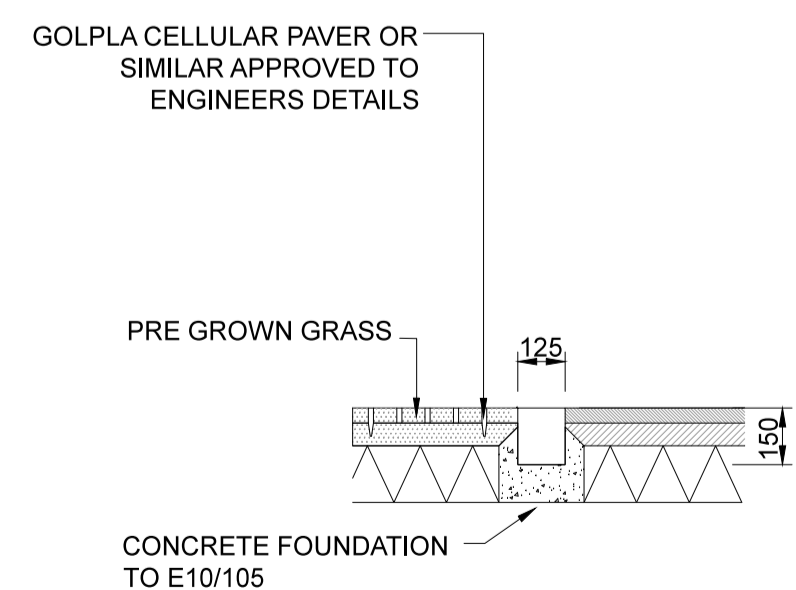
DETAIL 07 NEW PCC EDGING



DETAIL 08 NEW TIMBER EDGE



DETAIL 08 NEW TIMBER EDGE



18: GRASS & ASSOCIATED CELLULAR PAVER

- DRAWING NOTES:**
1. COPYRIGHT OF THIS DRAWING IS VESTED IN PLINCKE AND IT MUST NOT BE COPIED OR REPRODUCED WITHOUT CONSENT.
 2. DO NOT SCALE FROM THIS DRAWING - DIMENSIONS GOVERN. IF IN DOUBT ASK.
 3. ALL DIMENSIONS ARE IN MILLIMETRES UNLESS NOTED OTHERWISE. ONLY FIGURED DIMENSIONS ARE TO BE TAKEN FROM THIS DRAWING.
 4. ALL DIMENSIONS SHALL BE VERIFIED ON SITE BEFORE PROCEEDING WITH THE WORK. ALL CONTRACTORS MUST VISIT SITE AND BE RESPONSIBLE FOR TAKING AND CHECKING ALL DIMENSIONS RELATIVE TO THEIR WORK.
 5. PLINCKE SHALL BE NOTIFIED IMMEDIATELY BY EMAIL, OF ANY DISCREPANCIES.
 6. PLINCKE ACCEPTS NO LIABILITY FOR ANY EXPENSE, LOSS OR DAMAGE OF WHATSOEVER NATURE AND HOWEVER ARISING FROM ANY VARIATION MADE TO THIS DRAWING OR IN THE EXECUTION OF THE WORK TO WHICH IT RELATES WHICH HAS NOT BEEN REFERRED TO THEM AND PRIOR APPROVAL OBTAINED.
 7. ALL PLINCKE DRAWINGS TO BE READ IN CONJUNCTION WITH ALL RELEVANT ARCHITECTURAL, CIVIL ENGINEERS AND M&E ENGINEERS DRAWINGS AND SPECIFICATIONS.

REFERENCE FILES:

1. THIS DRAWING IS BASED ON THE FOLLOWING EXTERNAL CONSULTANTS DRAWINGS:

CONSULTANT	REFERENCE FILE	DATE RECEIVED

- HEALTH, SAFETY & ENVIRONMENTAL INFORMATION:**
1. IT IS ASSUMED THAT ALL WORKS ON THIS DRAWING WILL BE CARRIED OUT BY A COMPETENT CONTRACTOR AND WHERE APPROPRIATE, WORKING TO AN APPROVED METHOD STATEMENT.
 2. THIS DRAWING IS TO BE READ IN CONJUNCTION WITH ALL OTHER HAZARDS/ RISKS WHICH HAVE BEEN IDENTIFIED AND RECORDED WITHIN THE PRE-CONSTRUCTION INFORMATION PACK AND / OR THE CONSTRUCTION PHASE HSS PLAN.
 3. IN ADDITION TO THE HAZARDS/ RISKS NORMALLY ASSOCIATED WITH THE TYPES OF WORK DETAILED ON THIS DRAWING, NOTE THE FOLLOWING:

ITEM N°	RISK REGISTER DETAILS

P02 PLANNING PROPOSALS	SS	AA	05/05/16
P01 STAGE 2 FIRST ISSUE	SS	AA	25/01/16
REV / DESCRIPTION	DRAWN	CHECK	DATE
KEY PLAN			



MANCHESTER t: 0161 237 9223 e: north@plincke.co.uk
LONDON t: 0207 739 3330 e: london@plincke.co.uk

PROJECT TITLE CANNON HALL PARKS FOR PEOPLE		QR CODE
DRAWING TITLE TYPICAL DETAILS		
SCALE @ A1 1:20	DATE 25/01/16	REVISION P02
PROJECT No. 0292	DRAWING No. CHP_PLI_S2_DR_SW5_0810	SCALE BAR @ 1:20
0 0.2 0.4 1 1.8m		