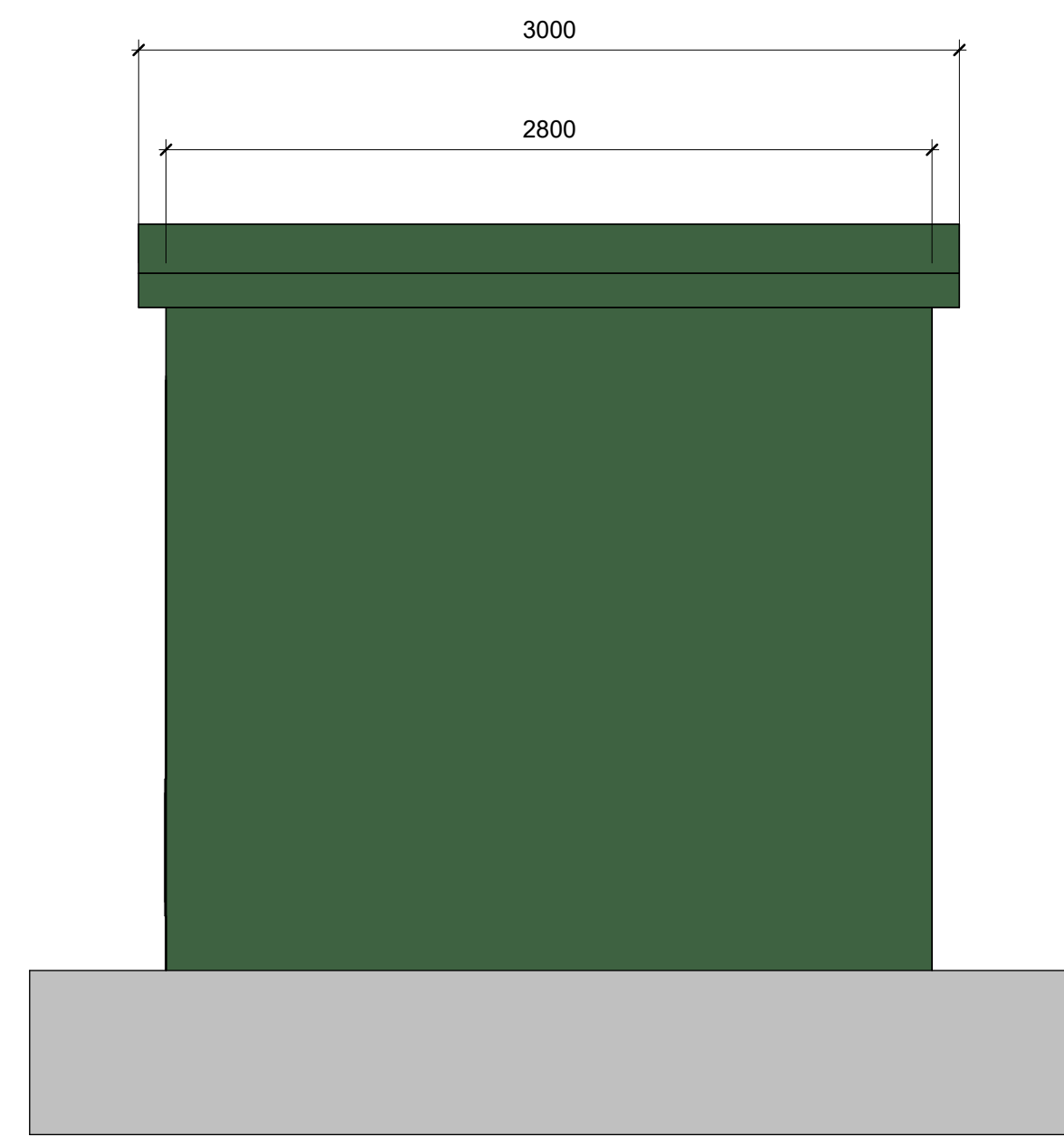
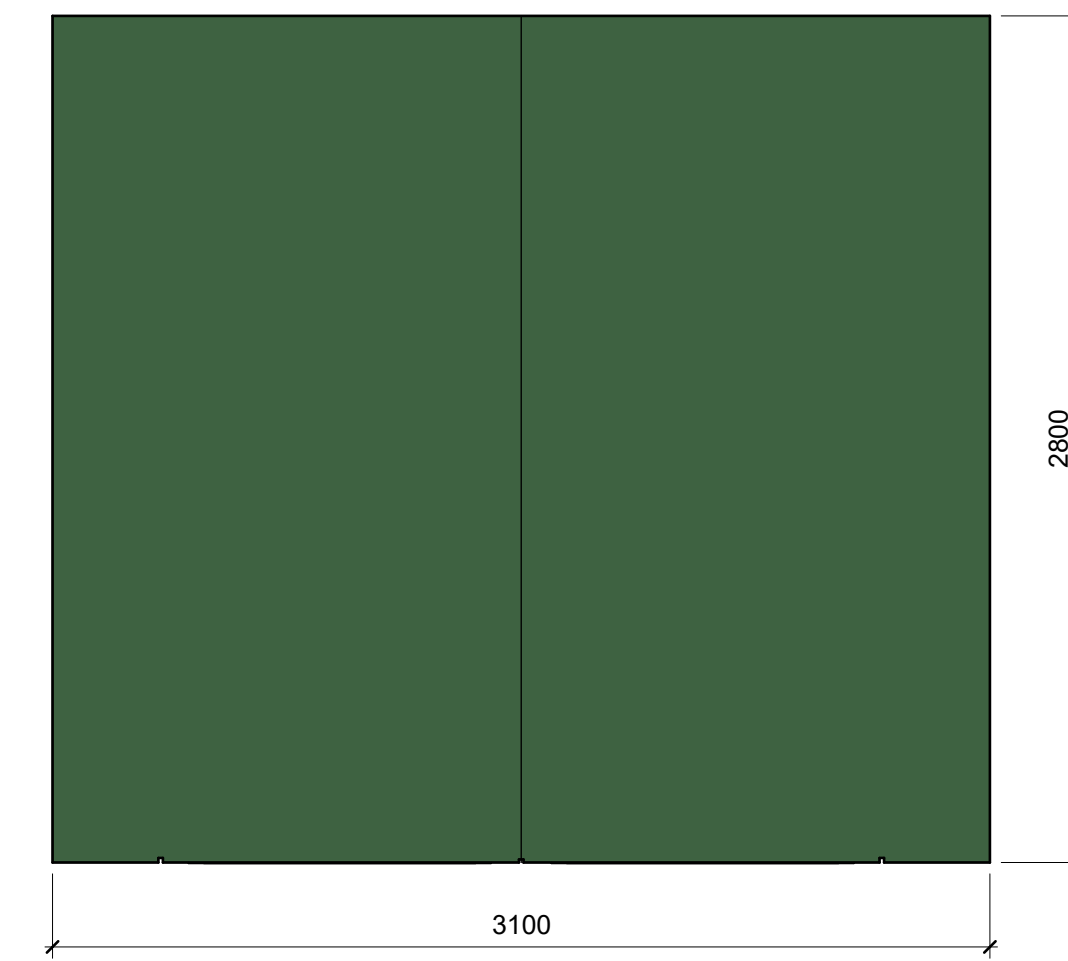


Sub-Station Detail  
Front View



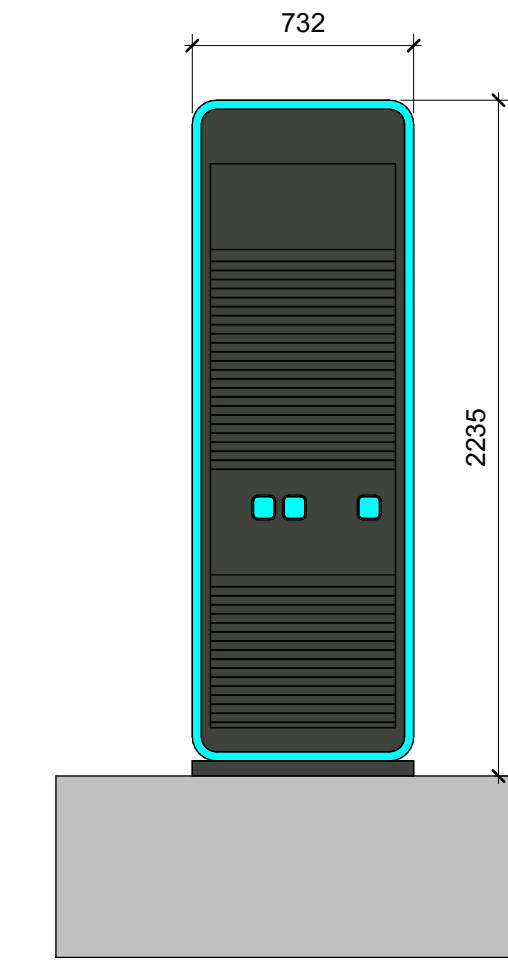
Sub-Station Detail  
Side View



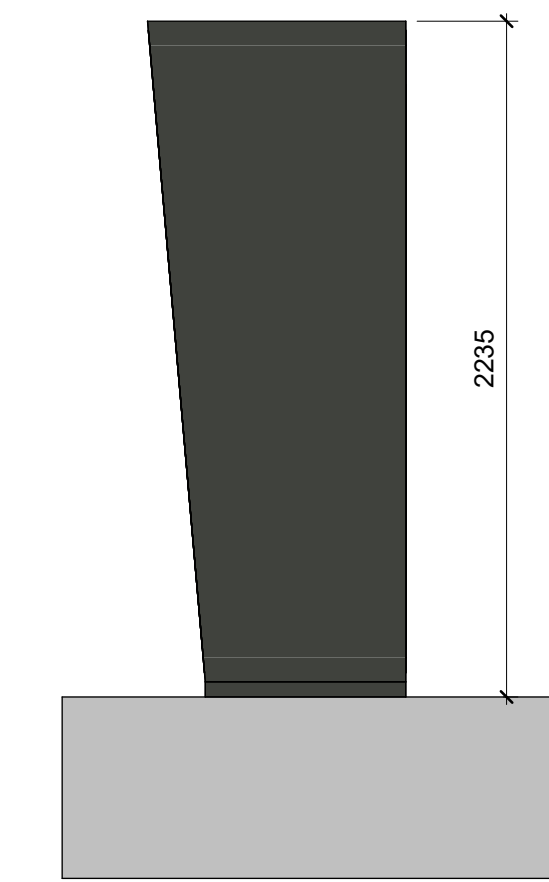
Sub-Station Detail  
Plan View



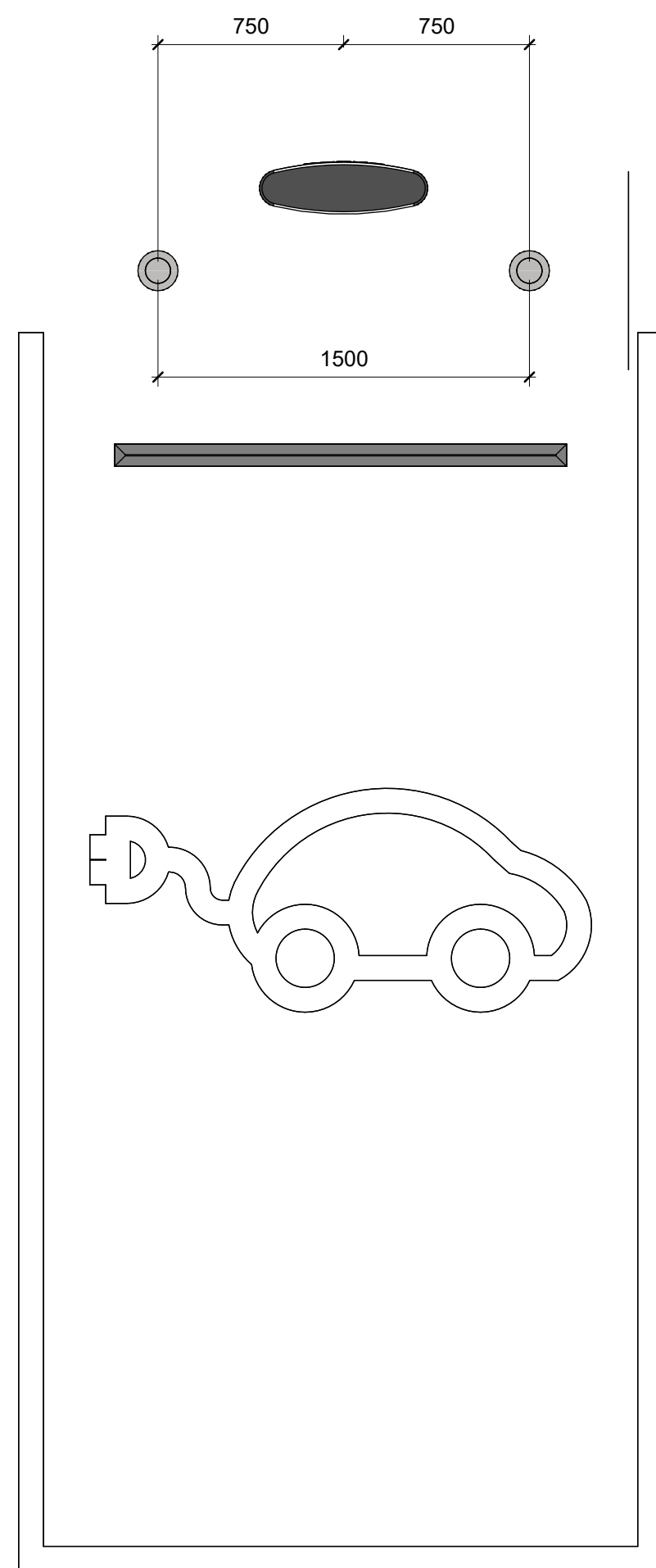
EV Charging Post  
Plan View



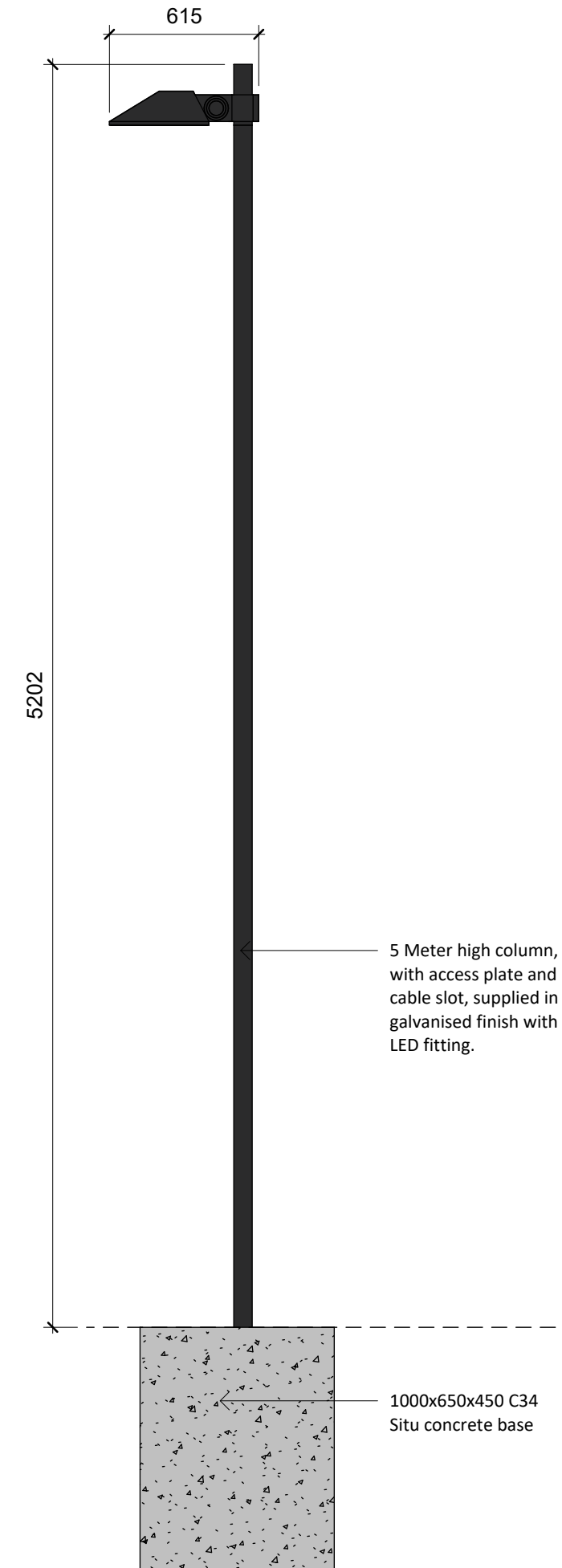
EV Charging Post  
Front Elevation



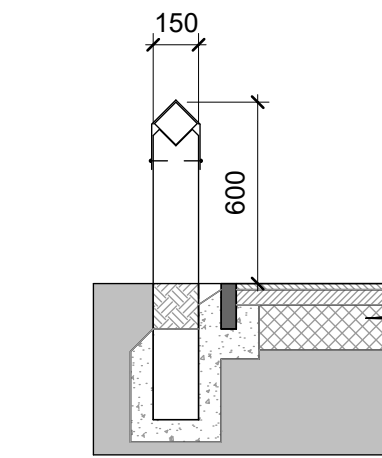
EV Charging Post  
Side Elevation



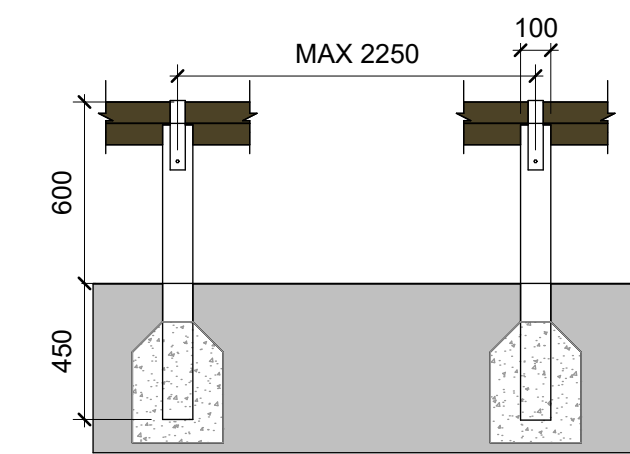
EV Parking Bay



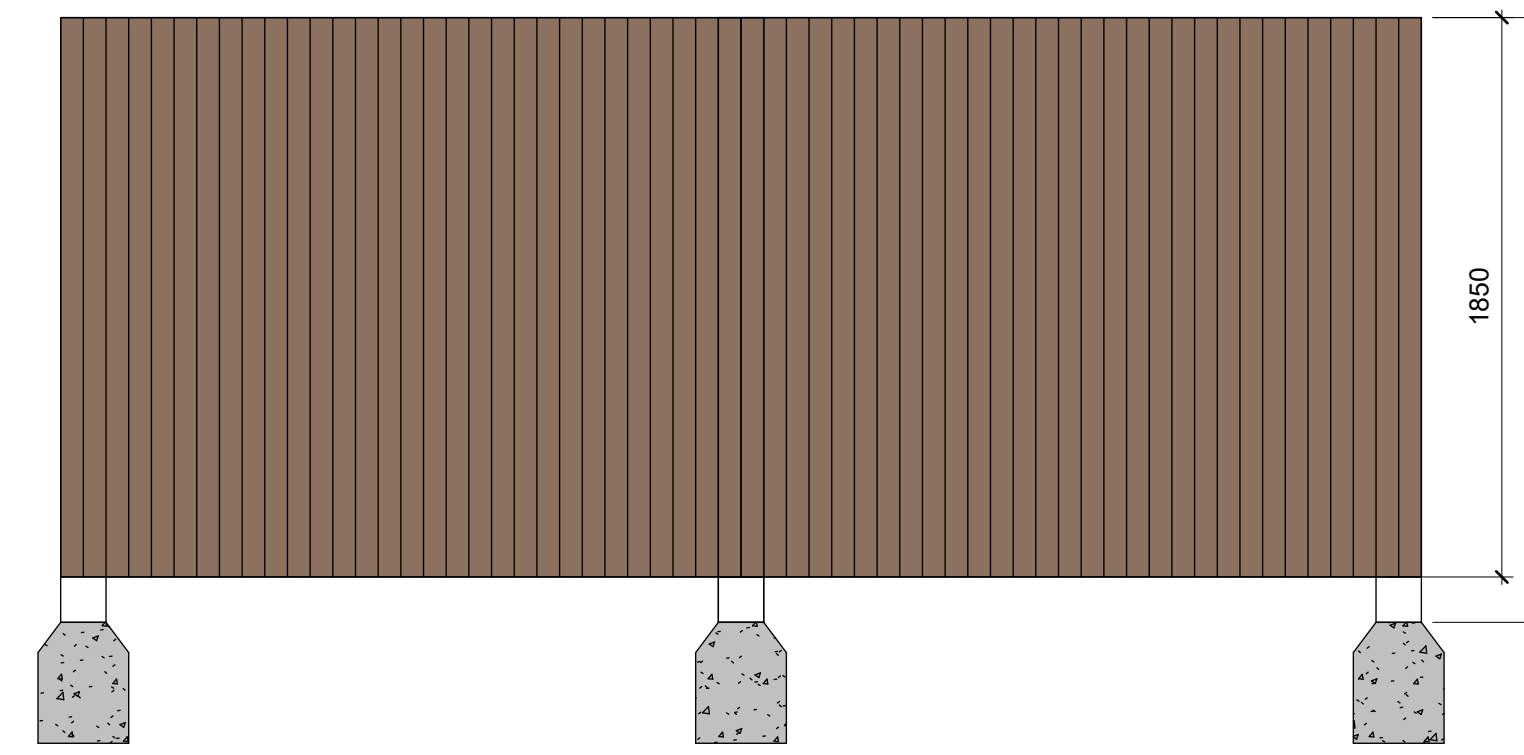
Path Bollard Detail



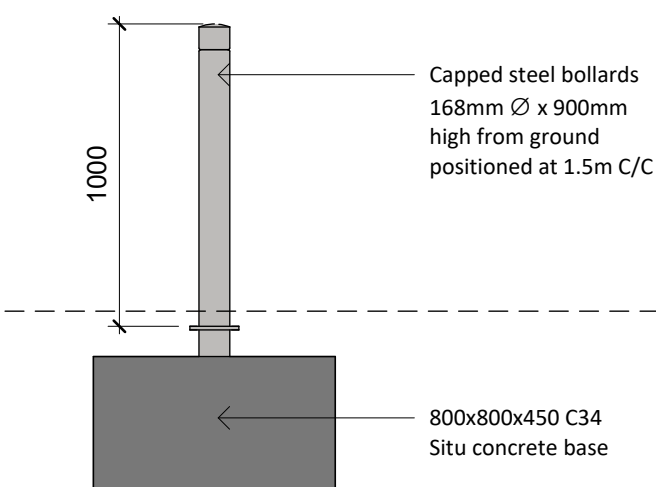
Section of Knee High Post and Rail Fence



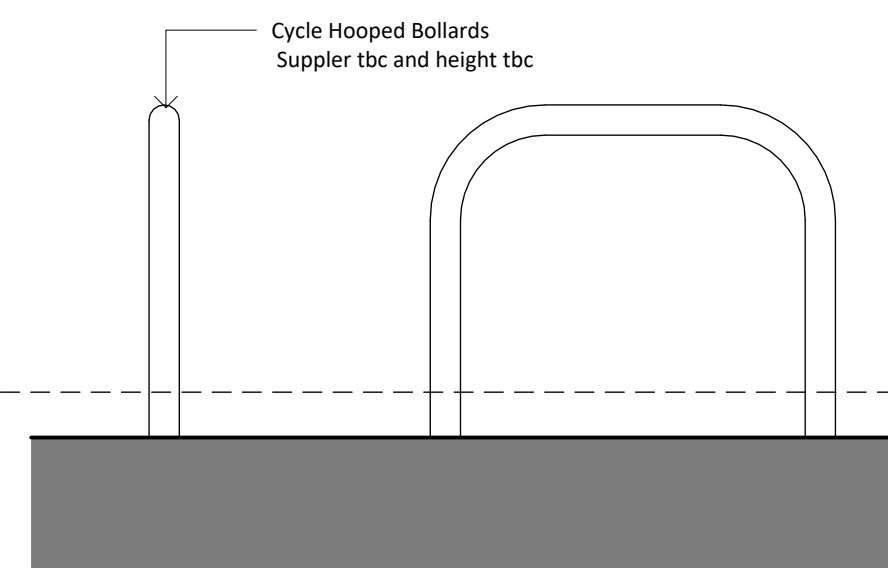
Elevation of Knee High Post and Rail Fence



2m High Close Boarded Compound Fence



Shop Bollard Detail



Cycle Hoop Bollard

A	26.02.26	Cycle parking added	JHJ
<b>PLANNING</b>			
PROJECT <b>BRAMPTON</b> Dove Road, Wombwell, Barnsley, S73 0NZ			
TITLE ANCILLARY DETAILS			
CLIENT DARWEN DEVELOPMENTS			
<small>8 Feast Field, Horsforth, Leeds, West Yorkshire, LS18 4TJ www.jennings-design.com 01274 395422 office@jennings-design.com</small>			
Drawn: CS	Check: JHJ	Scale: 1 : 25 @ A1	Date: Jan 2026
Plan Number: 251075-07 (A)			
 SCALE 1:25			