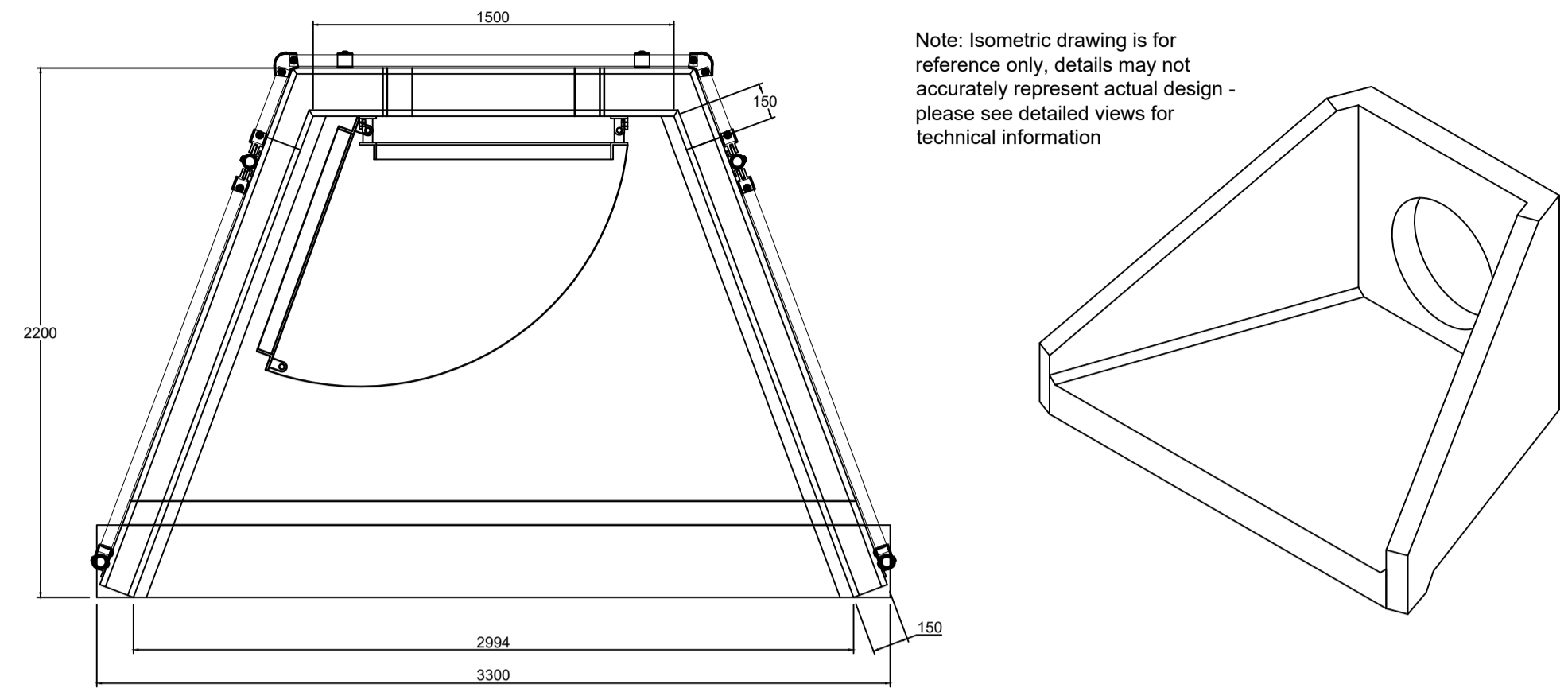
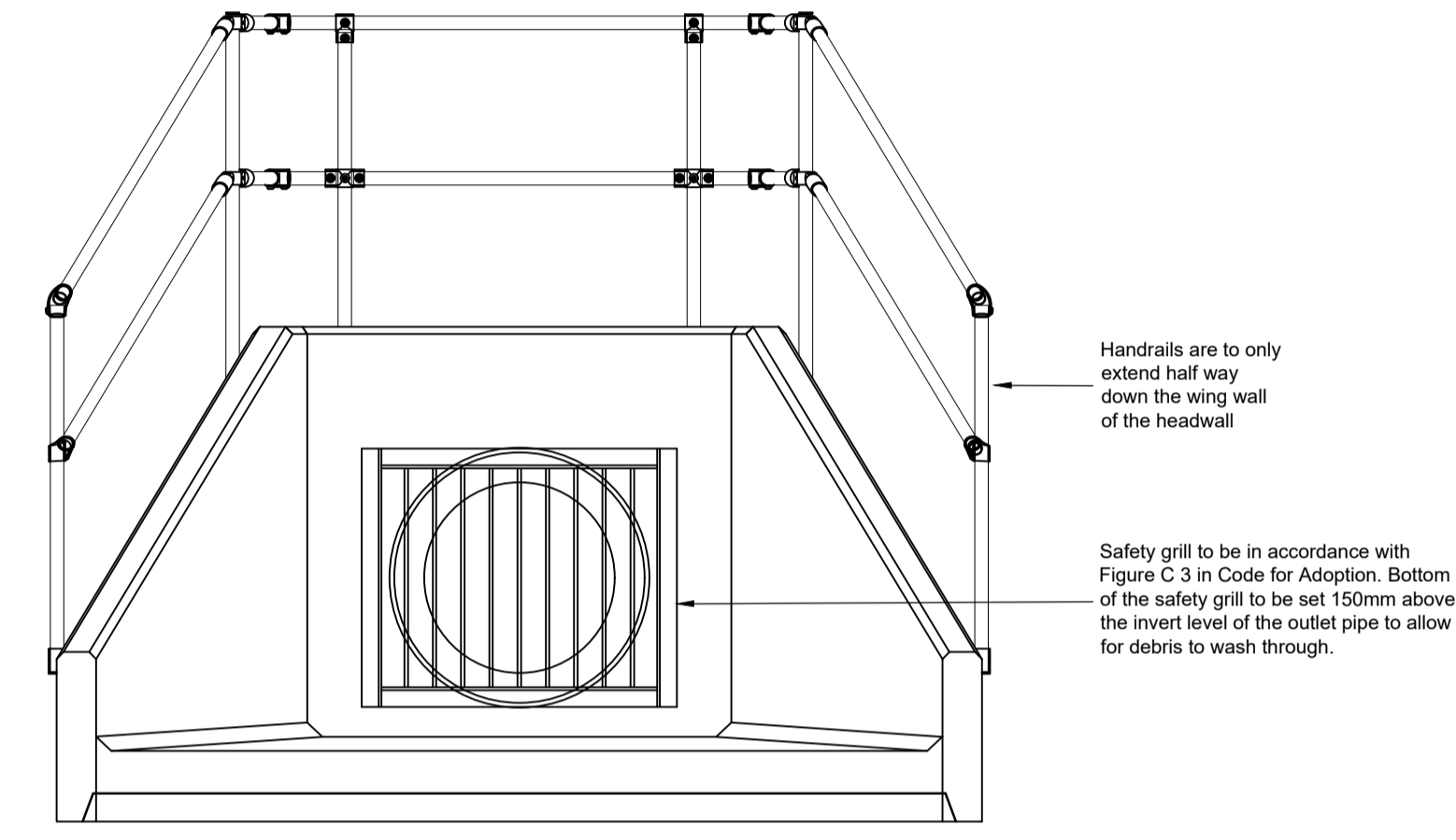


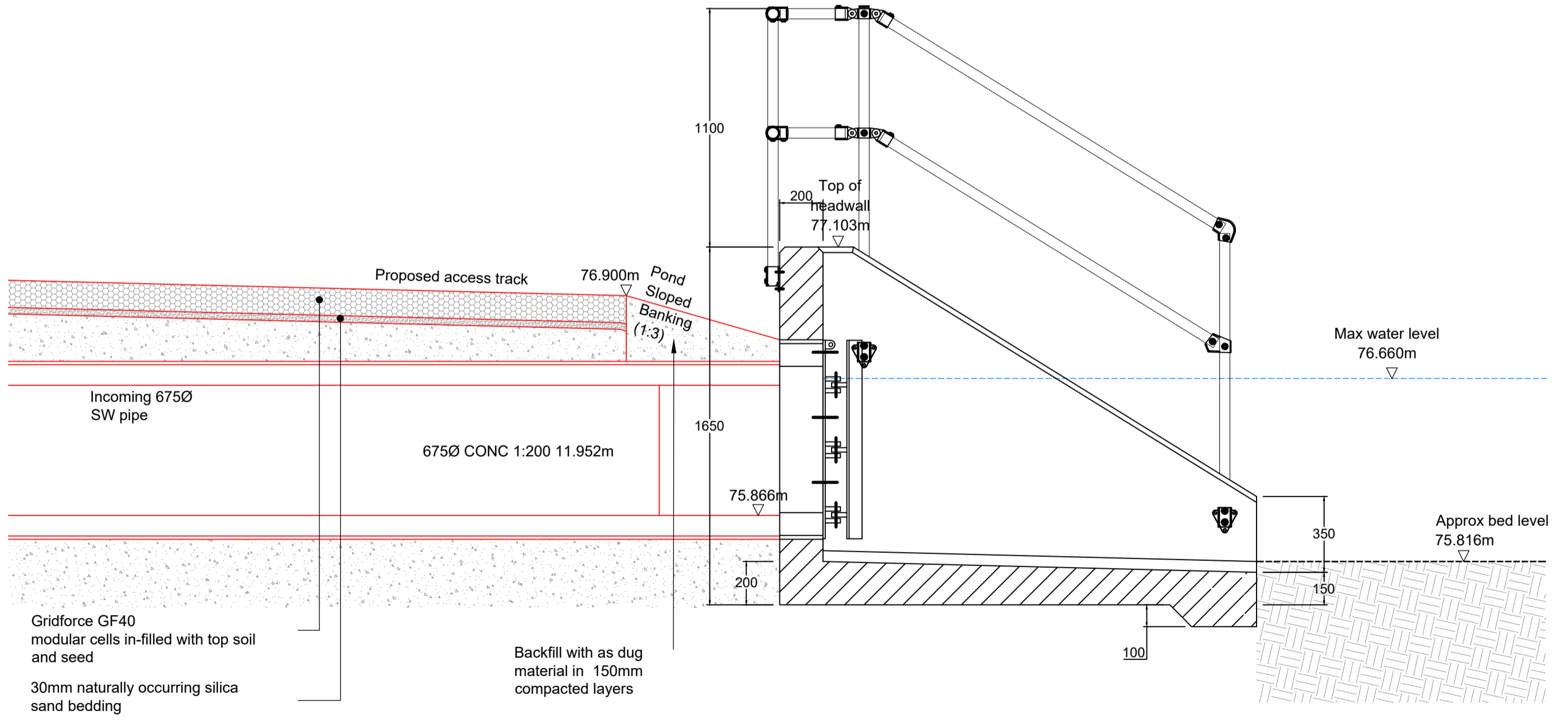
NORTH ATTENUATION PLAN VIEW
SCALE: 1:250



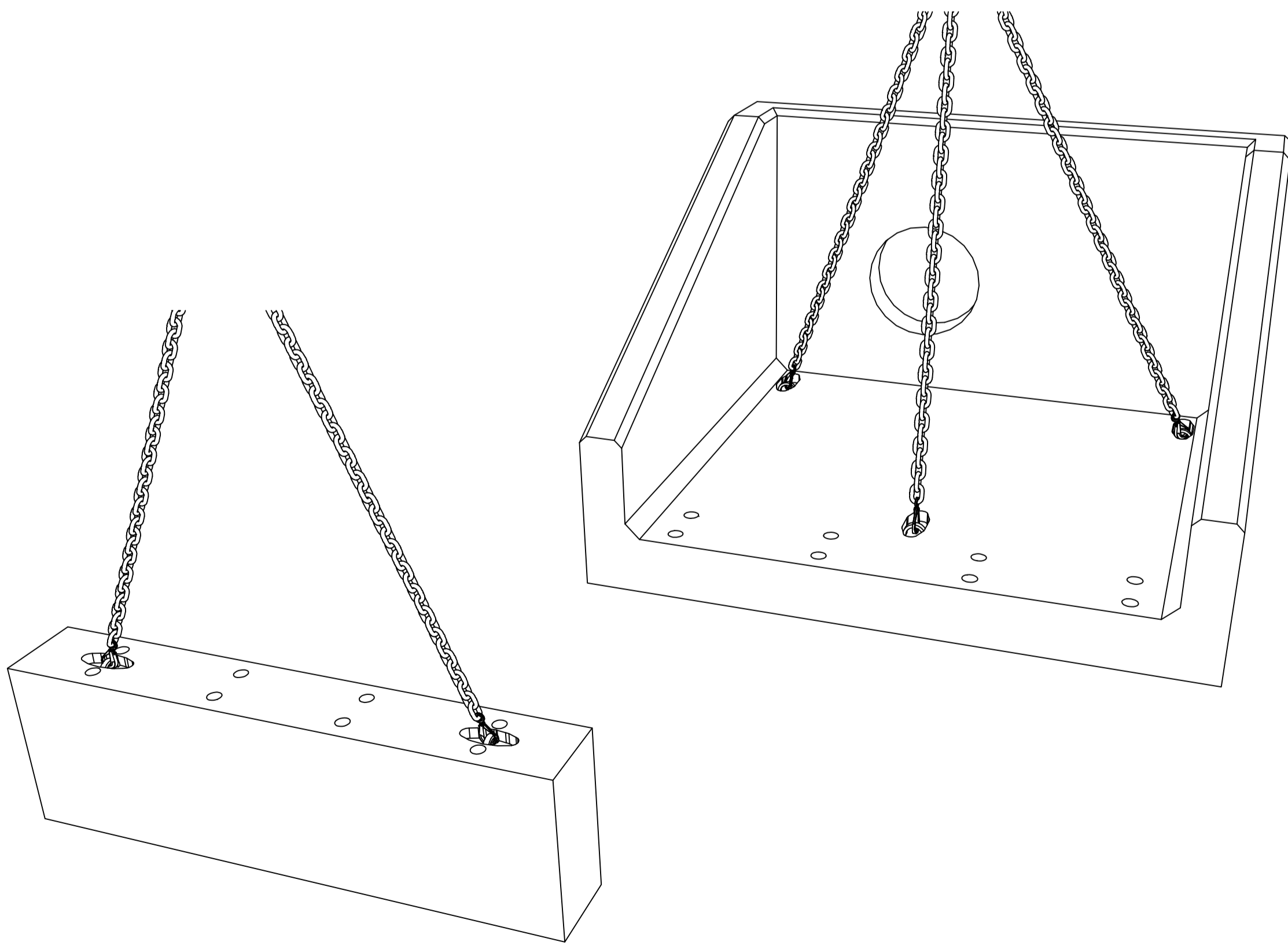
Note: Isometric drawing is for reference only, details may not accurately represent actual design - please see detailed views for technical information



HEADWALL 2 FRONT ELEVATION
SCALE: NTS



HEADWALL 2 LONGSECTION
SCALE: NTS



HEADWALL 2 INSTALLATION DETAIL
SCALE: NTS

DO NOT SCALE FROM THIS DRAWING

THIS DRAWING IS TO BE READ IN CONJUNCTION WITH ALL OTHER HBL DRAWINGS ISSUED FOR THIS PROJECT

- ADOPTABLE DRAINAGE NOTES:**
- THIS DRAWING IS SUBJECT TO APPROVAL BY LOCAL AUTHORITY, BUILDING CONTROL AND/OR SEWERAGE UNDERTAKER. ANY WORKS UNDERTAKEN PRIOR TO THE GRANTING OF THESE APPROVALS IS CARRIED OUT AT AT RISK TO OTHERS.
 - PRIOR TO COMMENCING WORK ON THE DRAINAGE, ALL EXISTING DRAINS, SEWERS, MANHOLES AND OUTFALLS TO REMAIN SHALL BE LOCATED, IDENTIFIED AND A CCTV CONDITION SURVEY CARRIED OUT. WHERE NECESSARY, PROTECTION TO THE EXISTING DRAINAGE INFRASTRUCTURE SHALL BE PROVIDED.
 - ALL EXISTING SEWERS AND MANHOLES ABANDONED DUE TO THE PROPOSED WORKS ARE TO BE EITHER REMOVED, AND SUITABLY BACKFILLED OR GROUTED UP.
 - ALL MANHOLE COVERS TO COMPLY WITH BS EN 124, AND BE KITEMARKED.
 - COVER LEVELS FOR MANHOLES ARE APPROXIMATE ONLY AND SHOULD BE ADJUSTED TO MATCH SURROUNDING LEVELS.
 - IN BLOCK PAVED AREAS 'INFILL' TYPE COVERS SHOULD NOT BE USED, AND FRAMES MUST BE 150MM DEEP.
 - ALL MANHOLE AND DRAINAGE COVERS SHALL COMPLY WITH BS EN124, BS EN1398-1 AND HA10409.
 - COVER STRENGTHS TO BE:-
CLASS E600 IN AREAS OF HEAVY LOADING.
CLASS D400 IN ALL TRAFFICKED AREAS (ROADS, HARD SHOULDER, PARKING AREAS AND SERVICES YARDS). MANHOLE COVERS ON FOUL ONLY SEWERS SHALL BE OF LOW LEAKAGE TYPES IN ORDER TO PREVENT EXCESSIVE SURFACE WATER INGRESS.
 - DRAINAGE PIPES 100MM Ø UNLESS STATED OTHERWISE. PIPES TO BE - VITRIFIED CLAY TO BS EN 295 OR CONCRETE TO BS 5911 OR UPVC PIPES TO BS EN 1452 OR THERMOPLASTIC STRUCTURED WALL PIPES COMPLYING WITH WIS 4-35-01. BSI KITEMARKED. CLASS 8KMM/ NOMINAL SHORT TERM RING STIFFNESS.
 - ALL SEWER PIPES 300MM DIAMETER OR LARGER, TO BE CONCRETE PIPES, TO BS 5911, UNLESS NOTED OTHERWISE.
 - ALL PIPES TO BE LAID WITH SOFFITS LEVEL, UNLESS NOTED OTHERWISE.
 - WHERE COVER TO PIPES IS LESS THAN 1200MM UNDER CARRIAGEWAY - CONCRETE BED AND SURROUND OR CONCRETE PROTECTION SLAB IS REQUIRED.
 - ALL CONCRETE TO DRAINAGE, MANHOLES BASES, SURROUNDS ETC TO BE IN ACCORDANCE WITH THE BRE SPECIAL DIGEST 1 - CONCRETE IN AGGRESSIVE GROUND. REFER TO SITE INVESTIGATION REPORT FOR SULPHATE REQUIREMENTS.
 - ALL MANHOLES, PIPE TRENCHES ETC. TO BE BACKFILLED WITH IMPORTED GRANULAR FILL TO CLASS 6F1-6F5 (CAPPING MATERIAL) TO (SHW) TABLE 6/1 & COMPACTED IN ACCORDANCE WITH TABLE 6/4.
 - ALL PIPELINES SHALL BE TESTED BOTH BEFORE AND AFTER BACKFILLING, USING EITHER AIR TEST OR WATER TEST, IN ACCORDANCE WITH BS EN 1810.
 - UPON COMPLETION OF THE DRAINAGE WORKS ALL DRAINS SHALL BE FLUSHED OUT AND CCTV SURVEYED AND SHOWN TO BE FREE OF ALL SILT AND DEBRIS AND TO HAVE NO JOINT DISPLACEMENTS OR OTHER DEFECTS. A COPY OF THE WRITTEN REPORT AND VIDEO IS TO BE FORWARDED TO THE ENGINEERS FOR COMMENT. ANY DEFECTS SHALL BE ATTRIBUTABLE TO THE CONTRACTOR FOR RECTIFICATION UNLESS INDICATED OTHERWISE BY THE CCTV REPORT AND AGREED WITH THE ENGINEERS.
 - ADOPTABLE DEMARCATION MANHOLES AND LATERAL DRAINS NEED TO BE CONSTRUCTED IN ACCORDANCE WITH THE CURRENT WATER UK/WRC 'SEWERAGE SECTOR GUIDANCE - APPENDIX C'.
 - ALL WORKS TO SEWERS/MANHOLES BEING OFFERED FOR ADOPTION OR ON EXISTING PUBLIC SEWERS SHOULD BE IN ACCORDANCE WITH 'SEWERAGE SECTOR GUIDANCE - APPENDIX C' AND THE ADOPTING WATER AUTHORITIES RECOMMENDATIONS.

- KEY - PLAN**
- SITE BOUNDARY
 - PROPOSED S104 STORM DRAINAGE
 - PROPOSED S104 FOUL DRAINAGE
- S104 DRAINAGE TO FOLLOW DESIGN AND CONSTRUCTION GUIDANCE FOR FOUL AND SURFACE WATER SEWERS OFFERED FOR ADOPTION. DETAILS PROVIDED BY WATER UK, SUBJECT TO ADOPTING AUTHORITY TECHNICAL APPROVAL.
CP = CATCHPIT
FCC = FLOW CONTROL CHAMBER
- PROPOSED CONTOURS 0.25m INTERVALS
 - EARTHWORKS TIE IN POINT TO EXISTING
 - PROPOSED ATTENUATION POND MAINTENANCE TRACK
 - PROPOSED ATTENUATION POND GRASSED
 - PROPOSED ATTENUATION POND MAXIMUM WATER LEVEL
 - PROPOSED ATTENUATION POND ACCESS

PO2	06.03.26	SP	ISSUED FOR TECHNICAL APPROVAL	AC	RJ
PO1	06.11.25	AC	ISSUED FOR TENDER	RJ	RJ
REV.	DATE	DRAWN	DESCRIPTION	CHKD	APPRD
STATUS DESCRIPTION					STATUS
FOR TECHNICAL APPROVAL					S4

HBL Consulting Civil & Structural Engineers
 Craig House,
 33 Ballbrook Avenue,
 Manchester M20 3JG
 +44 (0)161 432 9977 | www.hbl.ltd

PROJECT: **WOOLLEY COLLIERY**

DRAWING TITLE: **PROPOSED HEADWALL DETAILS HEADWALL 2**

CLIENT: **MJ GLEESON**

HBL REF.	DATE	SCALE(S)	
10701	06.11.25	AS STATED	A1
DRAWN	CHECKED	APPROVED	
RJ	RJ	RJ	

DRAWING No. **10701-HBL-XX-XX-DR-C-5525** REV. **P02**