

SIDE ELEVATION
ON ARROW 'A' DRG 20/002

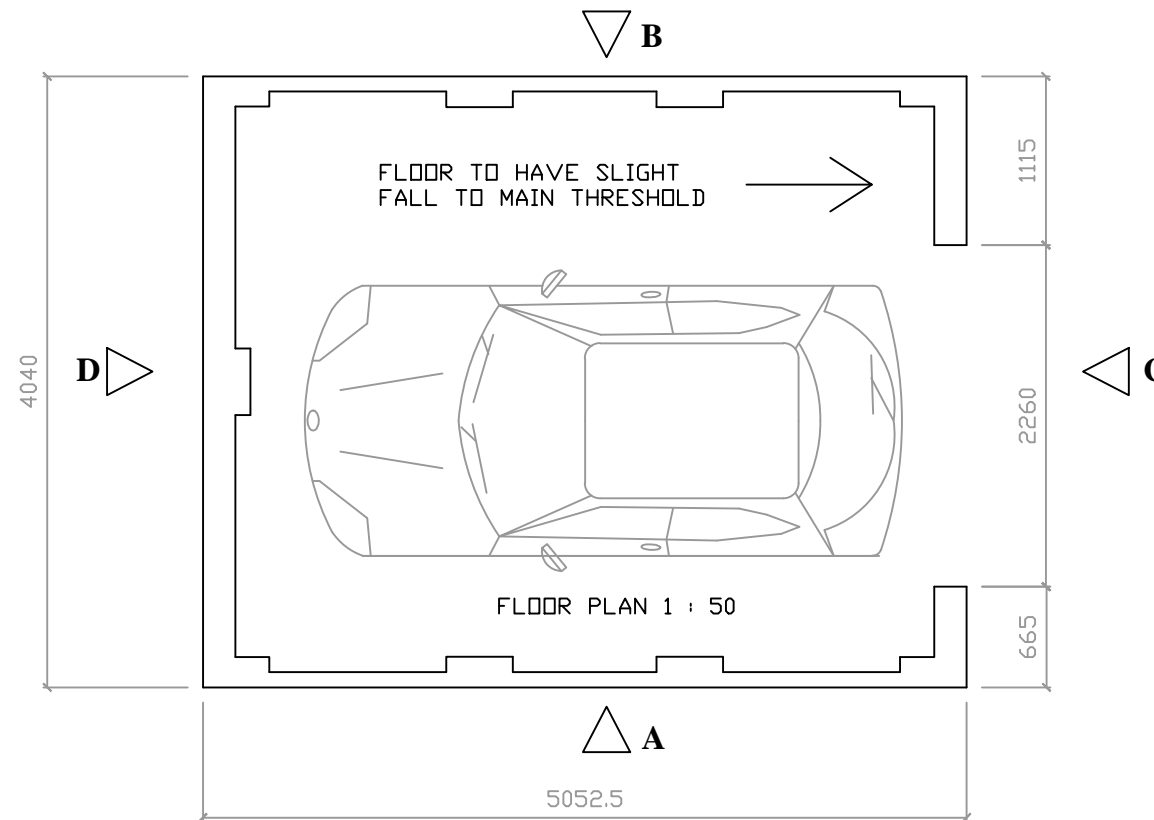
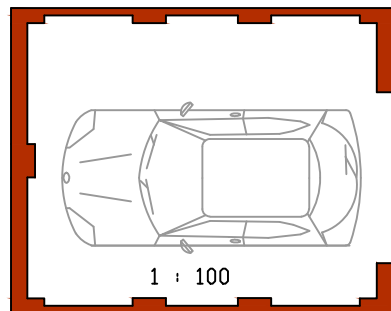
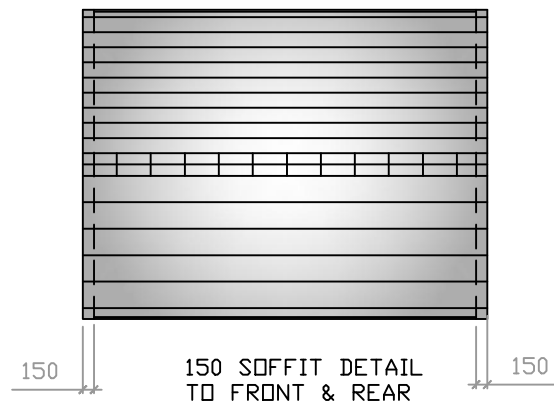
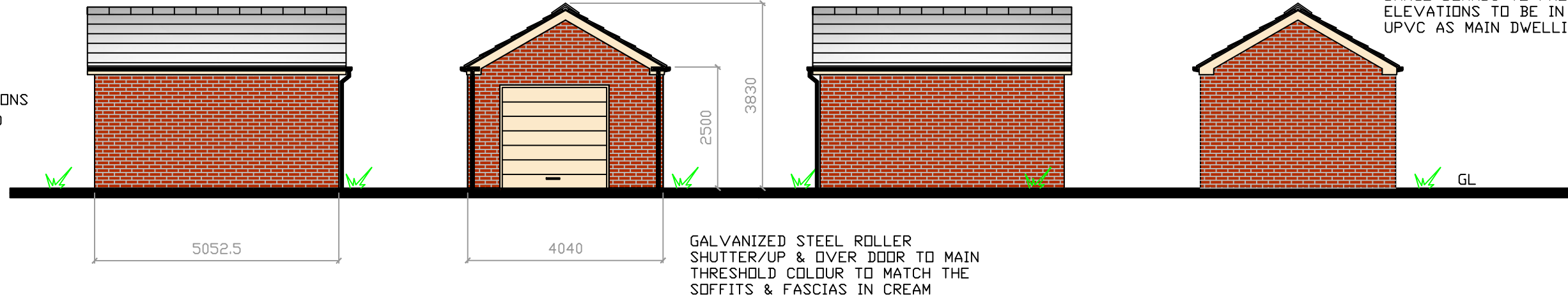
ELEVATION
ON ARROW 'C' DRG 20/002

SIDE ELEVATION
ON ARROW 'B' DRG 20/002

ELEVATION
ON ARROW 'D' DRG 20/002

RIDGE TILES TO MATCH
THE MAIN DWELLING

ELEVATIONS
1 : 100



GENERAL NOTES

- ROOF TO BE MARLEY MODERN INTERLOCKING TILES IN GREY TO MATCH THE EXISTING DWELLING
- ALL BRICKWORK TO MATCH THE EXISTING DWELLING ABBEY RESERVE
- ALL RAINWATER GOODS TO BE IN BLACK PLASTIC TO MATCH THE EXISTING DWELLING
- ALL BARGE & FASCIA BOARDS TO BE IN CREAM COLOUR UPVC TO MATCH THE EXISTING DWELLING
- EXTERNAL AREA = 20.41m²
- FOR GARAGE ORIENTATIONS ON A,B,C,D SEE SITE LAYOUT ON DRAWING 20/002



CLIENT
MR & MRS C SHEFFIELD
49 CHAPEL STREET
ARDSLEY

TITLE
DRAWING SHOWING REPLACEMENT GARAGE TO FRONT ELEVATION OF EXISTING DWELLING

DRAWN
AD

SCALE AS STATED @ A3
DATE 19/09/2020

REV
DRG No 20/003

