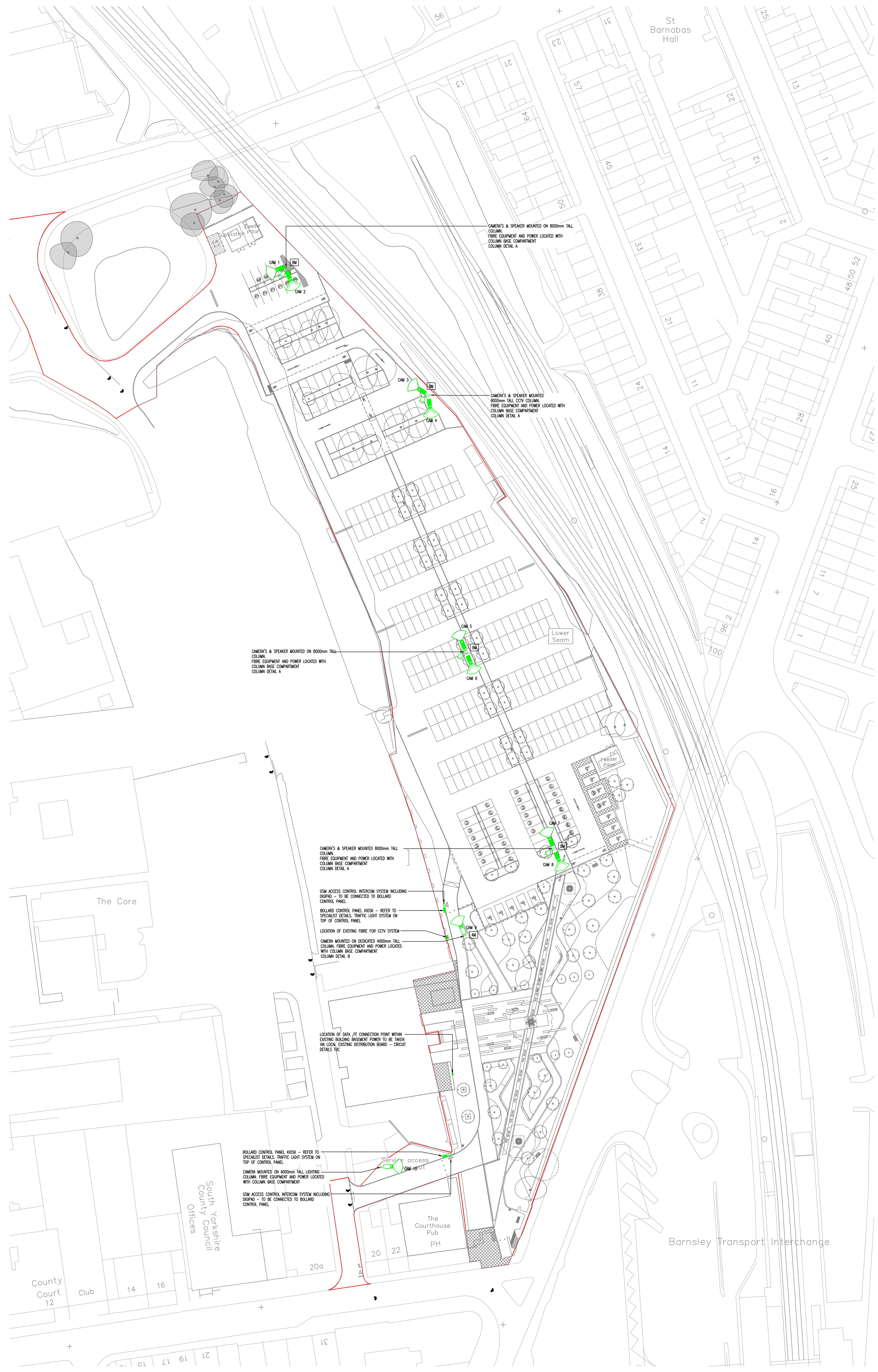
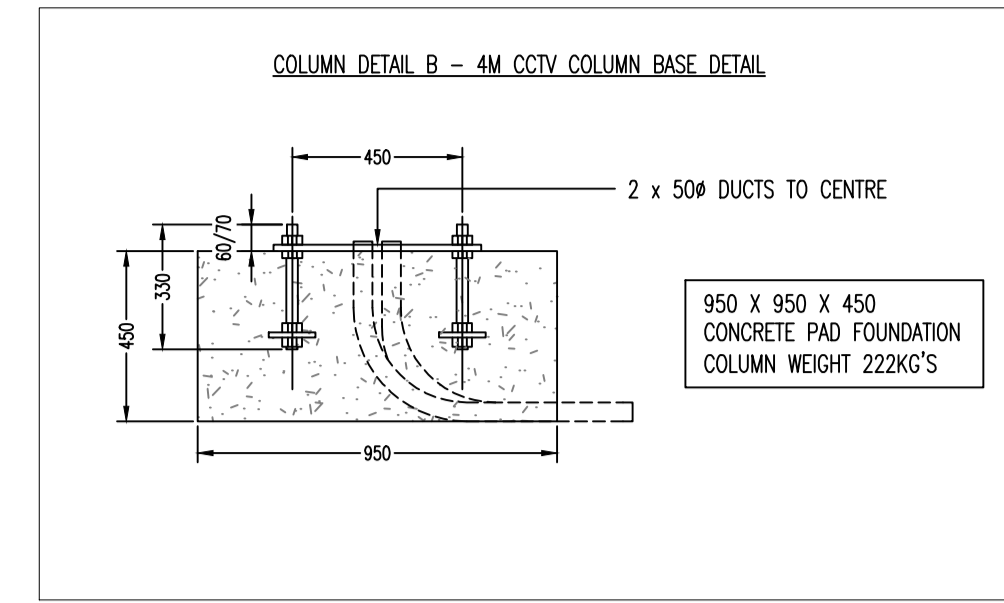
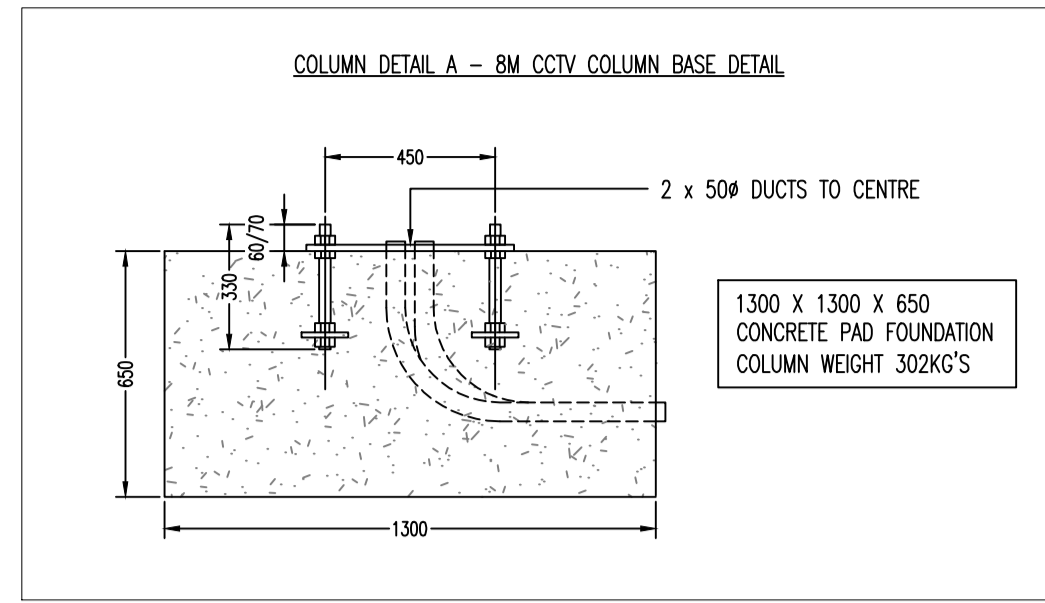


CCTV SECURITY LEGEND	DESCRIPTION	MANUFACTURER REF
	PAN TILT & ZOOM (PTZ) DOME CCTV CAMERA	AVIS 68135-LE P12 NETWORK CAMERA
	FIXED DOME CCTV CAMERA	AVIS 68135-LE NETWORK CAMERA
	PAN TILT & ZOOM (PTZ) DOME CCTV CAMERA INCLUDING 360 DEGREE MOTOR SENSORS	AVIS 68100-E P12 NETWORK CAMERA
	EXTERNAL PA NETWORK SPEAKER INCLUDING 2 WATT COMPARTMENT MICROPHONE	AVIS C1310-E M02 NETWORK HORN SPEAKER
	40 GVA VMS RESISTANT SURFACE AND NETWORK UNIT INCLUDING DISK RAID	VMS SERIES MODULAR

SCHEDULE OF SECURITY CAMERAS	CAM TYPE
CAM 1 - CARPARK - NORTH ENTRANCE / EXIT	FIXED CAMERA
CAM 2 - CARPARK - NORTH SOUTH	SENSOR + PAN TILT & ZOOM
CAM 3 - CARPARK - MIDDLE NORTH	PAN TILT & ZOOM
CAM 4 - CARPARK - MIDDLE SOUTH	SENSOR + PAN TILT & ZOOM
CAM 5 - CARPARK - MIDDLE NORTH	PAN TILT & ZOOM
CAM 6 - CARPARK - MIDDLE SOUTH	PAN TILT & ZOOM
CAM 7 - CARPARK - MIDDLE SOUTH	PAN TILT & ZOOM
CAM 8 - CARPARK - FEATURE LANDSCAPE AREA	SENSOR + PAN TILT & ZOOM
CAM 9 - CARPARK - BARBER NETWORK	FIXED CAMERA
CAM 10 - CARPARK - BARBER NETWORK	FIXED CAMERA



SITE PLAN (1:500)
 EXTERNAL SECURITY SERVICES LAYOUT

13.02.26	SOUTH ACCESS CCTV CAM RELOCATED	C04	JN
12.09.25	CCTV COLUMN BASE DETAILS ADDED	C03	JN
29.05.25	DESIGN DEVELOPMENT	C02	JN
20.05.25	LATEST LANDSCAPE GA ADDED SECURITY UPDATED TO SUIT	C01	JN
24.03.25	COMMENTS INCORPORATED	P04	JN
27.02.25	LATEST LANDSCAPE GA ADDED UPDATES AS INSTRUCTED	P03	JN
11.02.25	WDC COMMENTS INCORPORATED	P02	JN
DATE	DESCRIPTION	REV	BY

STAGE 5

Unit E1
 Hopton Lane South
 Gilestone, Morley
 Leeds LS27 7JG
 T: 01132 524 290
 E: info@elmgroup.co.uk
 W: www.elmgroup.co.uk

Elm Building Services
 Mechanical and Electrical Design & Build Contractors

PROJECT	The Seam Barnsley
DRAWING TITLE	Site Plan External Security Services Layout
SCALE	1:500
SIZE	A0
DATE	29.05.2025
DESIGN	JN
DRAWN	HW
CHECKED	
DRAWING NUMBER	SEAM-ELM-22-XX-DR-E-24002
REVISION	C04