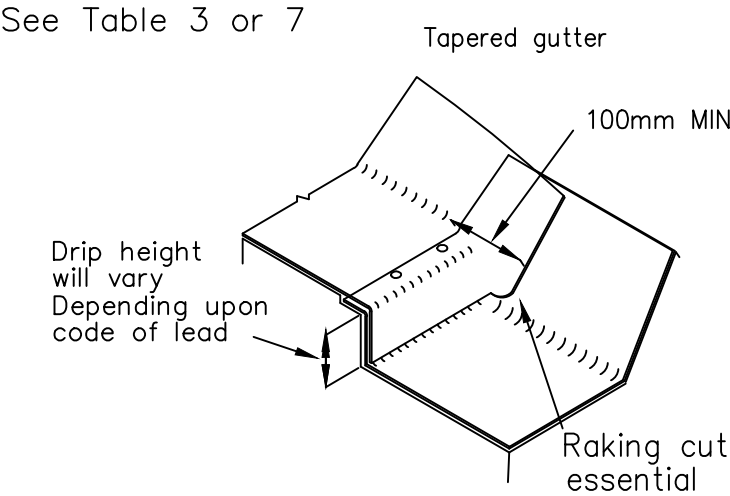
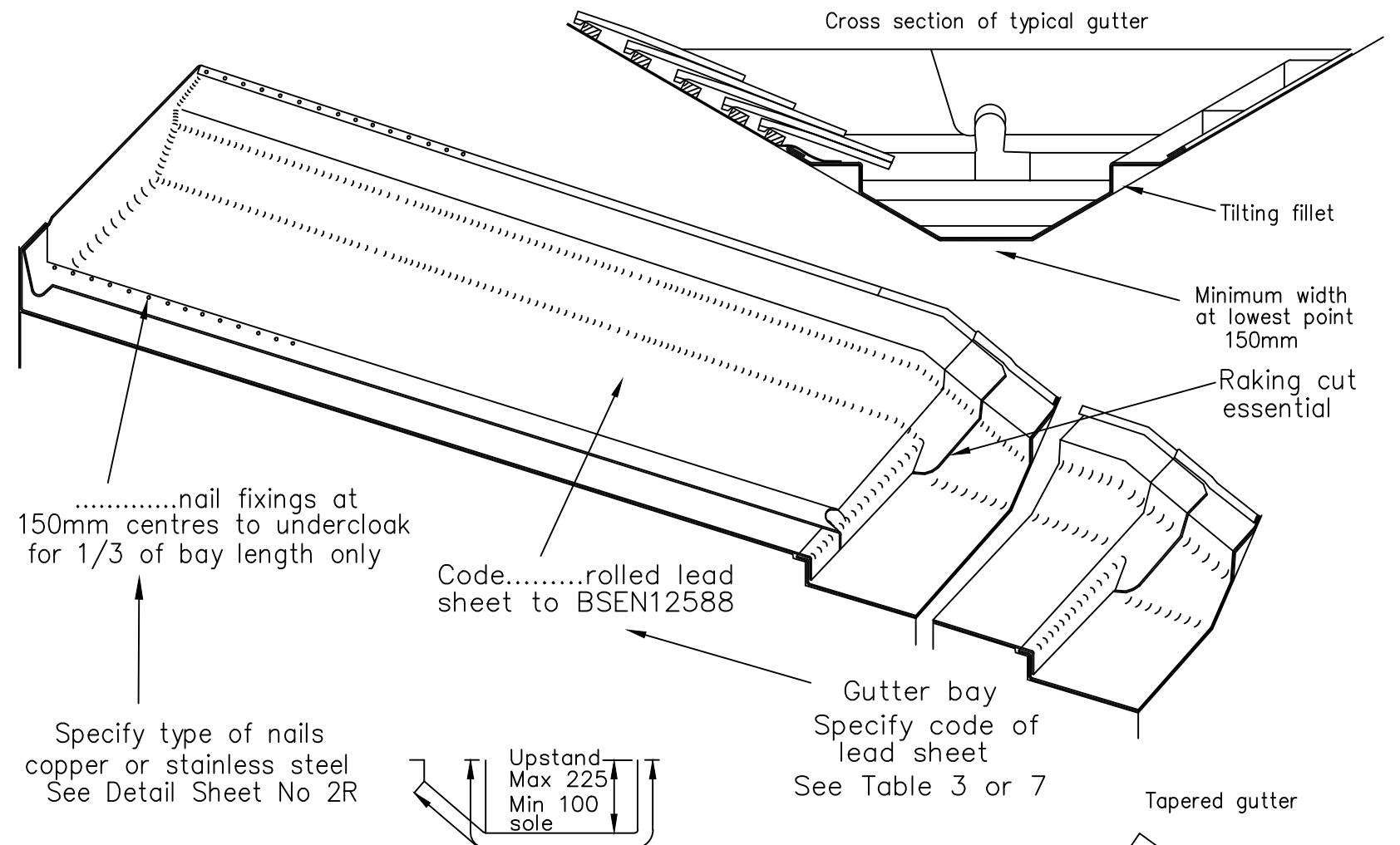


SPECIFICATION AND DESIGN CONSIDERATIONS

- Spacing of drips depends on the code of lead specified.
- Introduction of wood cored rolls is required where the overall girth is exceeded, See Table 7-8 .
- Consider minimum code 5 for gutters or roofs.
- Gutter bays code of lead sheet to specify will depend on design life of building exposure to wind and anticipated foot traffic. See Detail Sheet No 1R
- Finished height of roll on the lower level should be not less than 5mm below the top edge of the drip on the upper level. See drawings 1G, 2G, 7G, 12R, 13R, 17R and 18R.
- Minimum fall recommended for gutters is 1 in 89. Consider designing at min 1 in 60 and accommodate variations on site.
- Splash laps on drips can only be omitted on gutter linings.
- Risk of moss and lichen growth on slates or tiles consider use of sacrificial flashings. See Update No 2.



BSEN12588 Code No.	Max.Length between drips mm	Max.overall girth mm
4	1500	750
5	2000	800
6	2250	850
7	2500	900
8	3000	1000

Gutters without rolls minimum drip height(mm)	Gutters divided with rolls minimum drip height(mm)
50	55
50	55
50	55
60	60
60	60

Lead Sheet Association
Telephone 01892 822773
Fax 01892 823003

Standard Detail Sheet No. 7G
Title Tapered Gutters

Contract Information

Practice Details

Publication Reference:
Lead Sheet Manual Volume Two, Page Nos. 102 to 114
Rolled Lead Sheet – The Complete Manual, Page Nos. 89 to 101