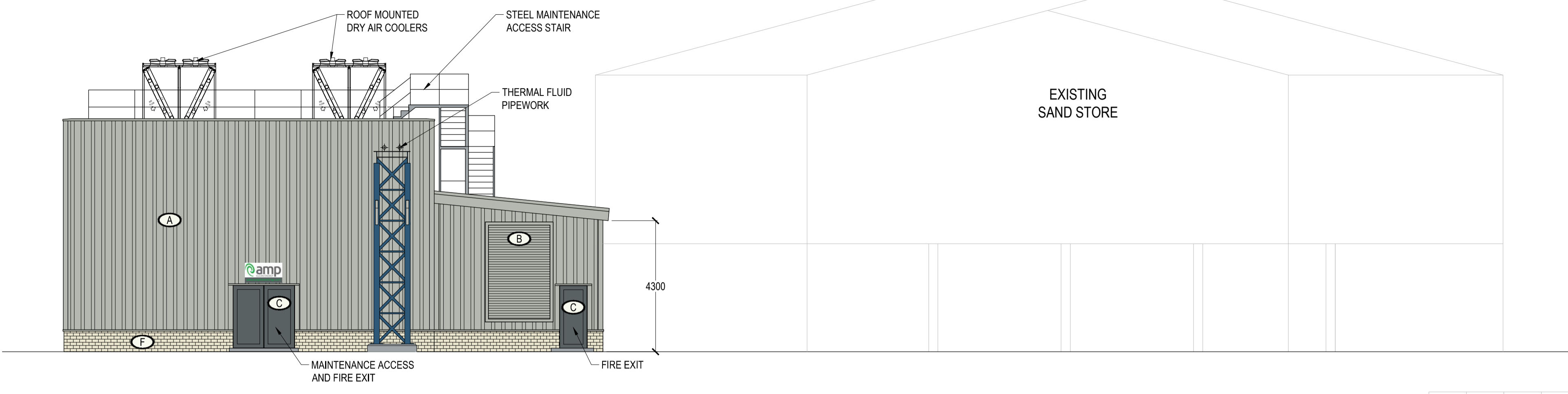


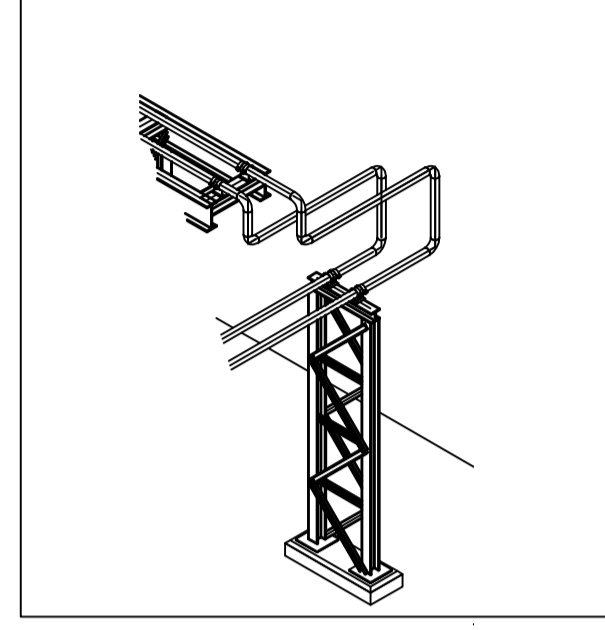
FINISHES SCHEDULE				
REF	ELEMENT	MATERIAL	COLOUR	FINISH
A	METAL PROFILE PANEL FACADES	VERTICALLY LAID PROFILE CLADDING SHEETS KINGSPAN, OR EQUAL.	GOOSEWING GREY (RAL 7038)	POWDER COATED
B	INSET LOUVRES	POLYESTER POWDER COATED ALUMINIUM FRAMES AND LOUVRES	GOOSEWING GREY (RAL 7038)	POWDER COATED
C	PERSONNEL DOORS	PFC METAL PANEL DOORS	MID GREY (RAL 7012)	POWDER COATED
D	ROLLER SHUTTER DOORS	GALVANISED STEEL	MID GREY (RAL 7012)	POWDER COATED
E	GLAZED FACADE SYSTEM WITH FOR DOORS	POLYESTER POWDER COATED ALUMINIUM FRAMES	MID GREY (RAL 7012)	POWDER COATED
F	WALL PLINTH	BRICK	BUFF	-

© AMP Energy Services Ltd - DISCLAIMER:  
 This drawing is copyright and shall not be reproduced nor used for any other purpose without the written permission of the Designer. This drawing must be read in conjunction with all other related drawings and documentation. It is the contractors responsibility to ensure full compliance with the Building Regulations. Except for planning purposes do not scale from this drawing, use figured dimensions only. It is the contractors responsibility to check and verify all dimensions on site. Any discrepancies to be reported immediately. IF IN DOUBT ASK. Materials not in conformity with relevant British or European Standards/Codes of practice or materials known to be deleterious to health & safety must not be used or specified on this project.

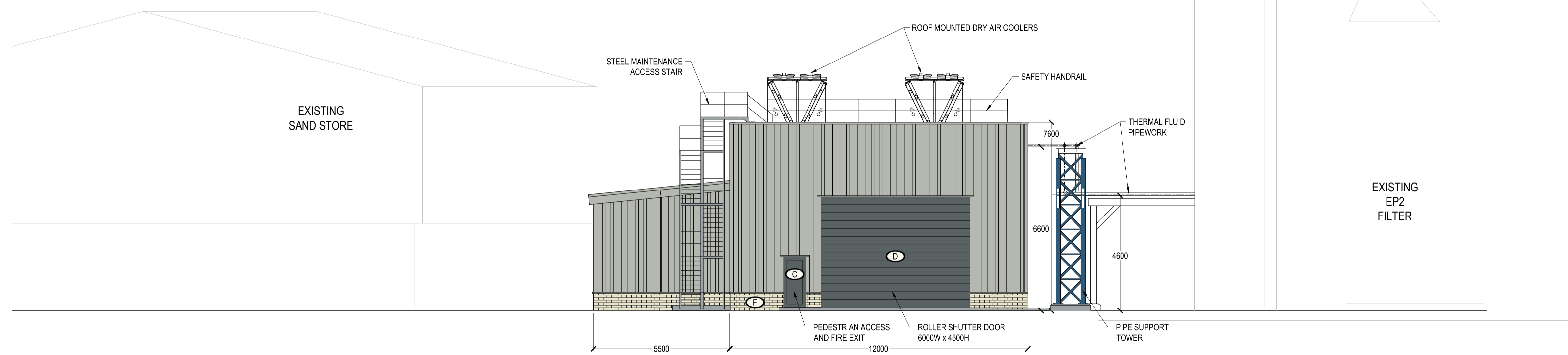
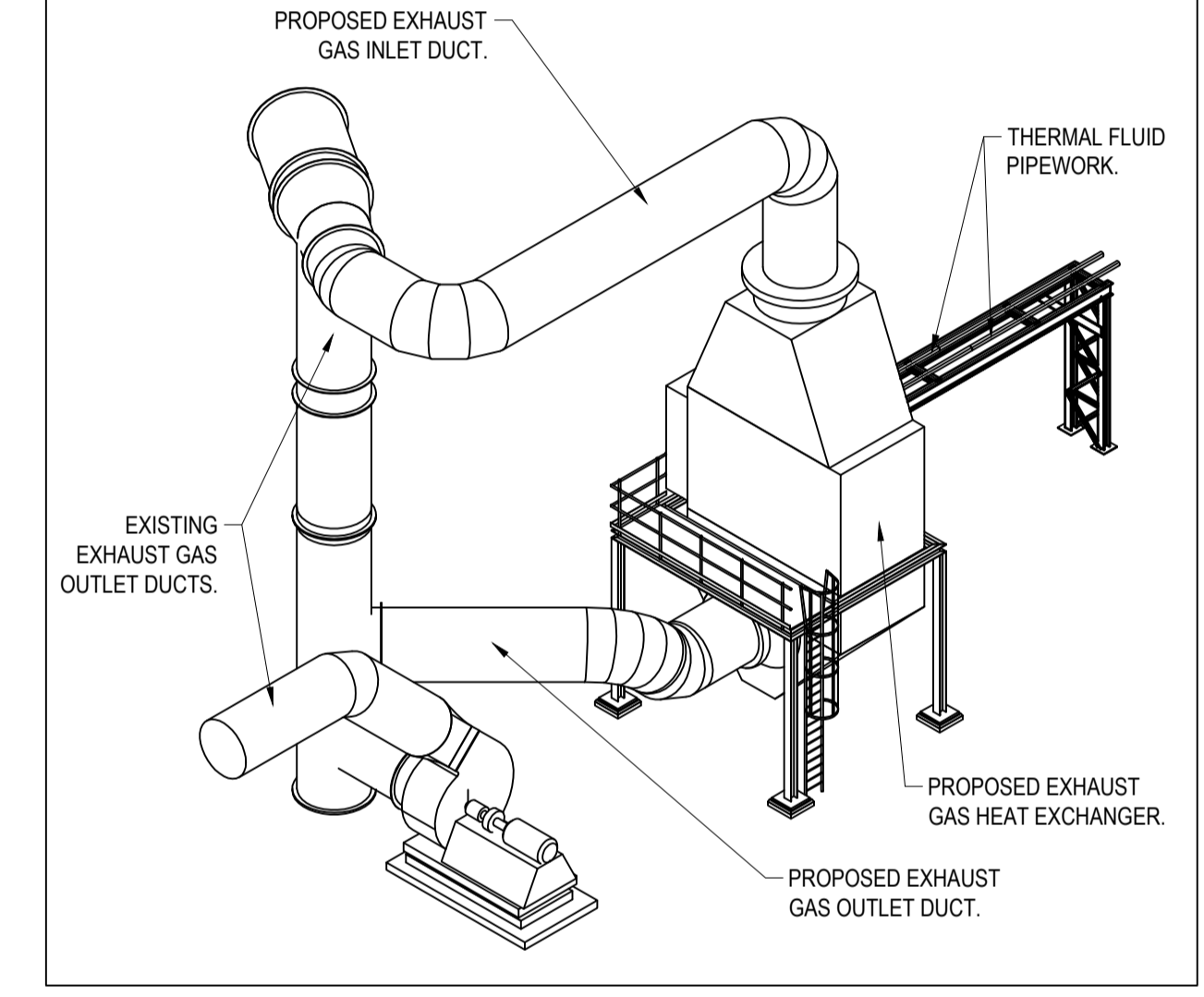


**SOUTH ELEVATION**

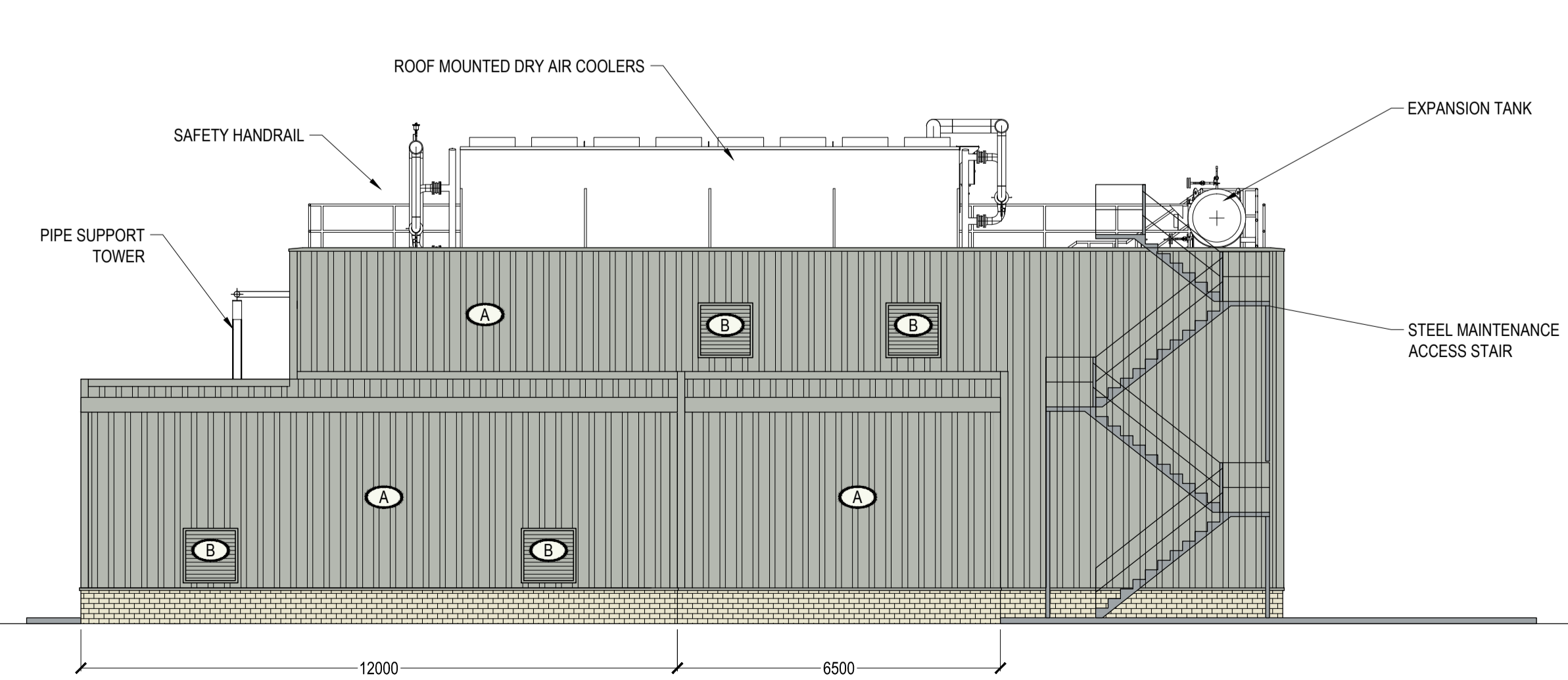
**TYPICAL PIPE SUPPORT TOWER (not to scale)**



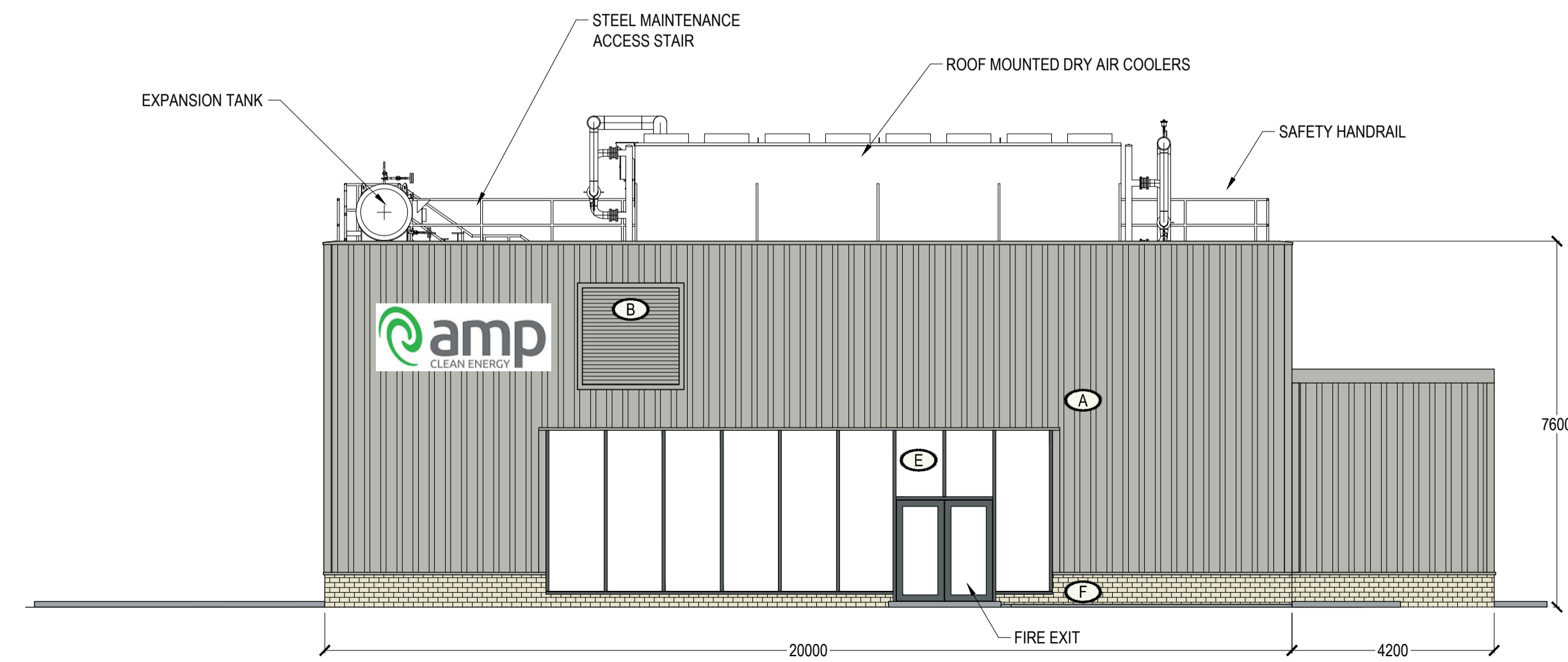
**TYPICAL HEAT EXCHANGER ARRANGEMENT (not to scale)**



**NORTH ELEVATION**



**EAST ELEVATION**



**WEST ELEVATION**

REV	DATE	DESCRIPTION	DRN/CKD
P3	01.02.2021	ORC BUILDING SIZE, LOCATION AND ACCESS UPDATED. ISSUED FOR PLANNING.	JW/SW
P2	19.11.2020	THERMAL OIL PIPE DIMS ADDED	JW/SW
P1	19.11.2020	HEAT EXCHANGER ELEVATION ADDED. EXISTING FILTER ELEVATIONS REVISED. PIPE SUPPORT TOWER ADDED.	JW/SW
P0	17.11.2020	ISSUED FOR PLANNING	JW/SW

Project  
**ARDAGH GLASS**  
 BURTON ROAD, BARNSELY  
 S71 5RP

Title  
**WASTE HEAT RECOVERY PROJECT - PROPOSED ORC HOUSE ELEVATIONS**

Drawing Status  
**PLANNING**

Drawn By: JW  
 Checked By: SW

Date Drawn: 16 NOVEMBER 2020

Scale: 1:100  
 Sheet Size: A1

Project Code	Dwg No.	Rev
ARD-001	PL002	P3