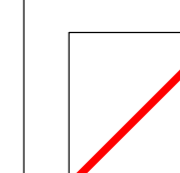
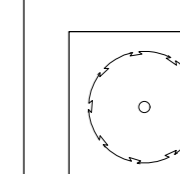
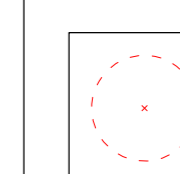
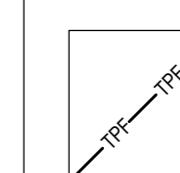


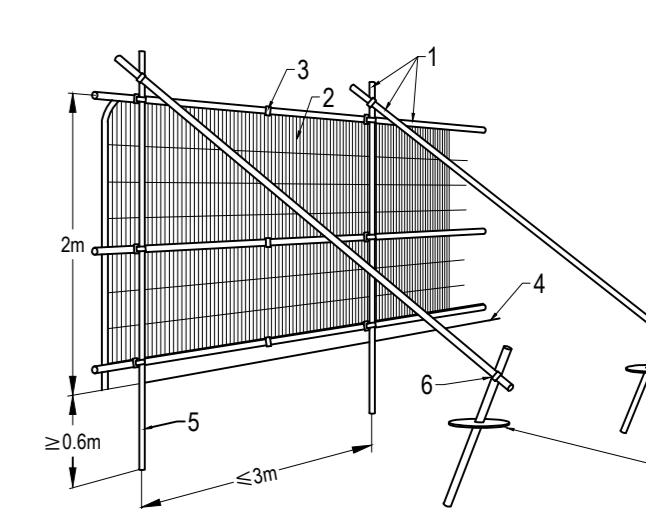
This drawing is the copyright of Rosetta Landscape Design and cannot be reproduced in any form without the express consent of the company. Written and scaled dimensions to be checked on site, any discrepancies reported prior to work commencing. If in doubt please ask.

This drawing has been prepared for the purpose of planning approval.

LEGEND

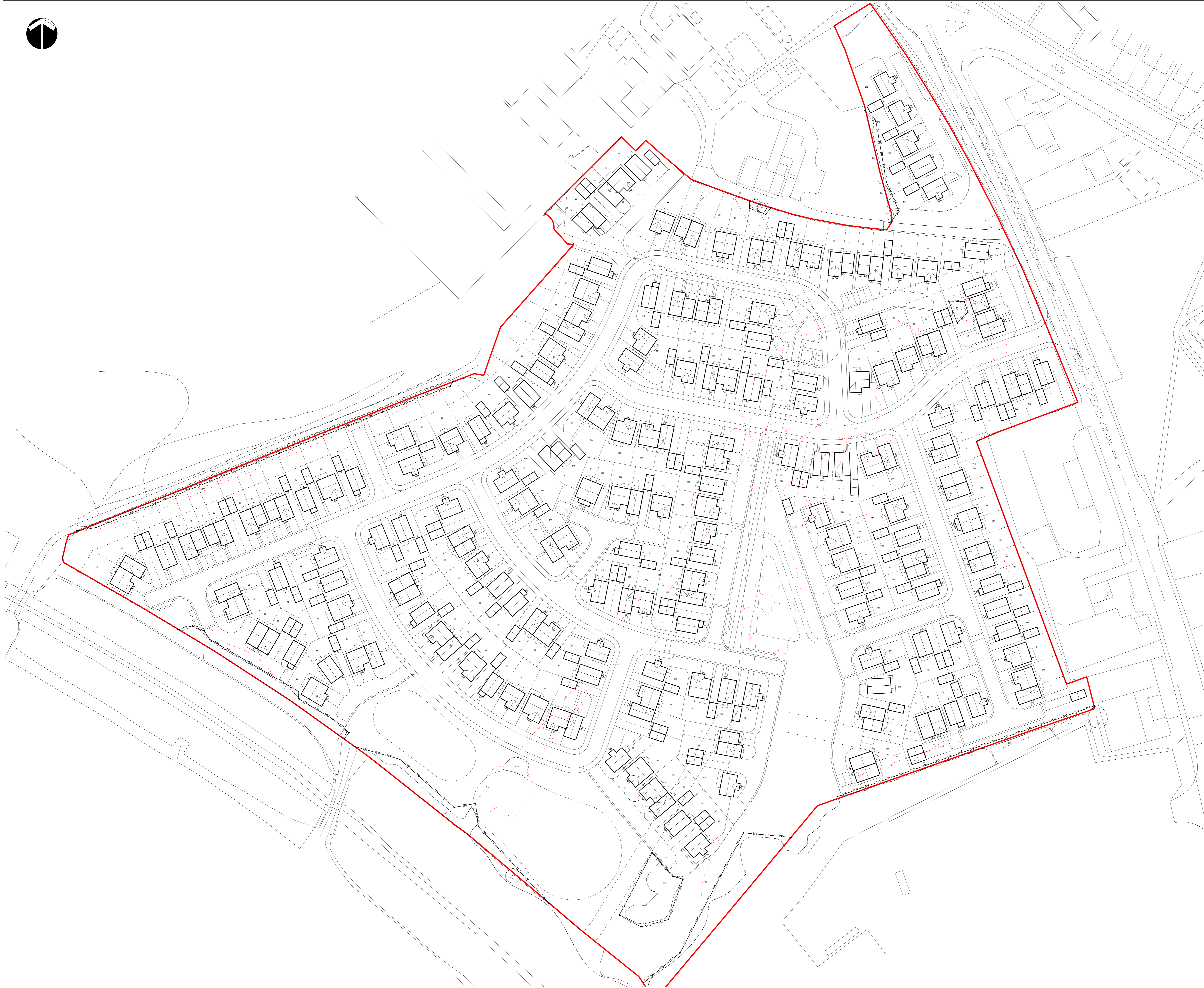
-  Site boundary
-  Existing tree (to be retained)
-  Existing tree (to be removed)
-  Tree protection fencing (to BS 5837: 2012)

Default Specification for Protective Barrier
N.T.S.



Key

- 1 Standard scaffold poles
- 2 Heavy gauge 2m tall galvanised tube and welded mesh infill panels
- 3 Panels secured to uprights and cross-members with wire ties
- 4 Ground level
- 5 Uprights driven into the ground until secure (minimum depth 0.6m)
- 6 Standard scaffold clamps



Base: PRA Architects 'Proposed Site Layout', 1225.05 Rev H received 11Apr22

| | | | |
|---------|------------------------------------|---------------|----------|
| PROJECT | Wakefield Road, Smithies, Barnsley | | |
| TITLE | Tree Protection Fencing | | |
| CLIENT | Gleeson Homes and Regeneration | | |
| DATE | 28 Apr 22 | SCALE 1 : 500 | SHEET A0 |
| DRAWN | MP/jr | DRAWING NO | 3836/5 |
| CHECKED | MP | REVISION | - |

ROSETTA
LANDSCAPE DESIGN

Chartered Landscape Architects

Swallow's Nest, Main Street
Askham Richard, York. YO23 3PT

Telephone +44 (0)1904 500410

Email design@rosettalandscape.co.uk
Web www.rosettalandscape.co.uk