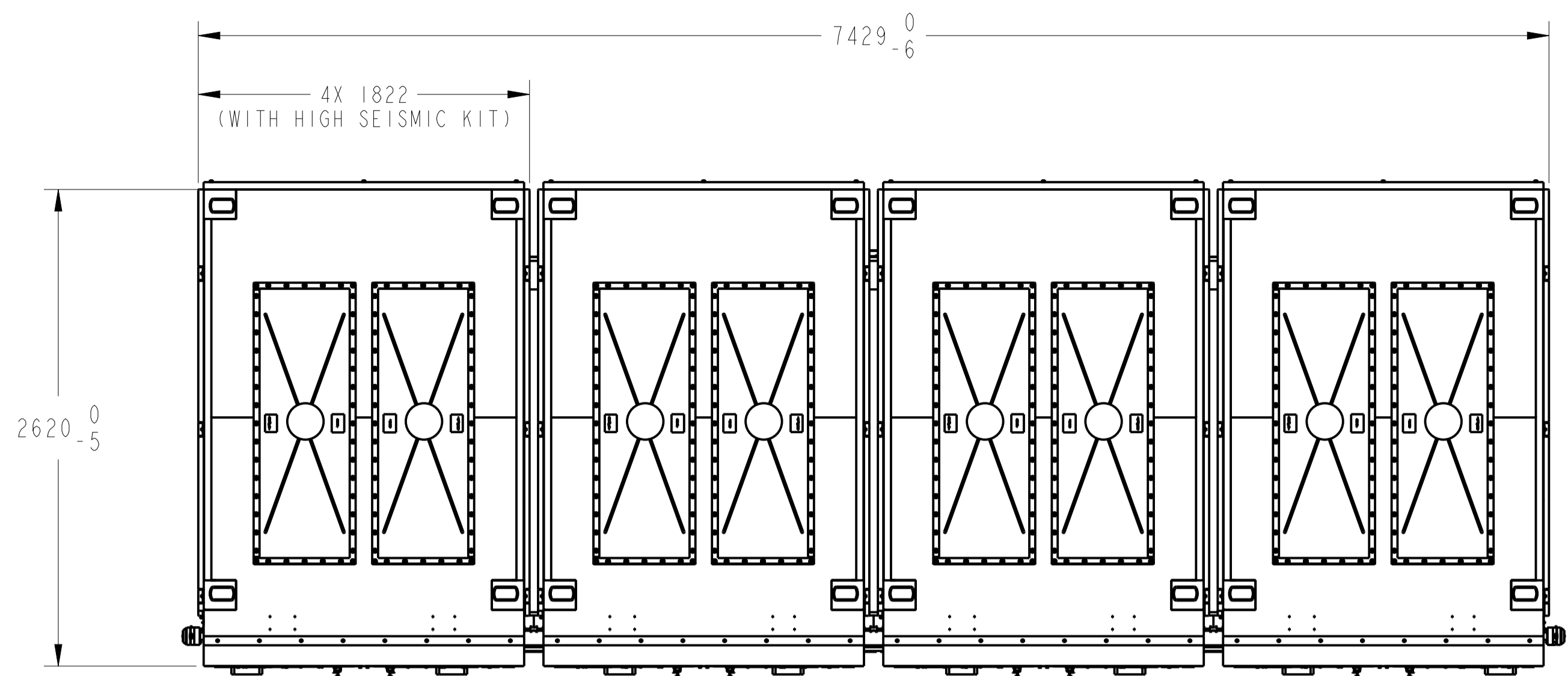
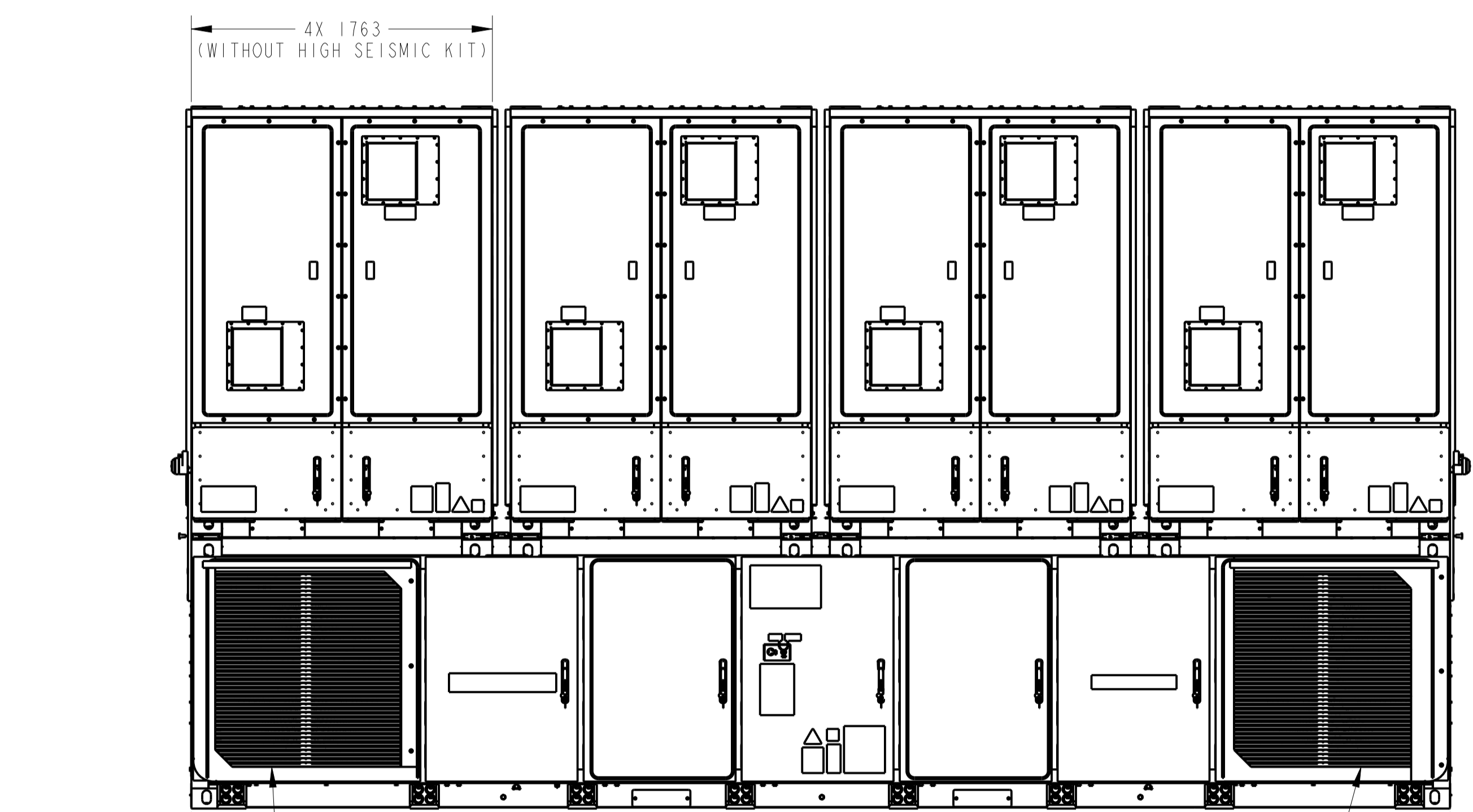


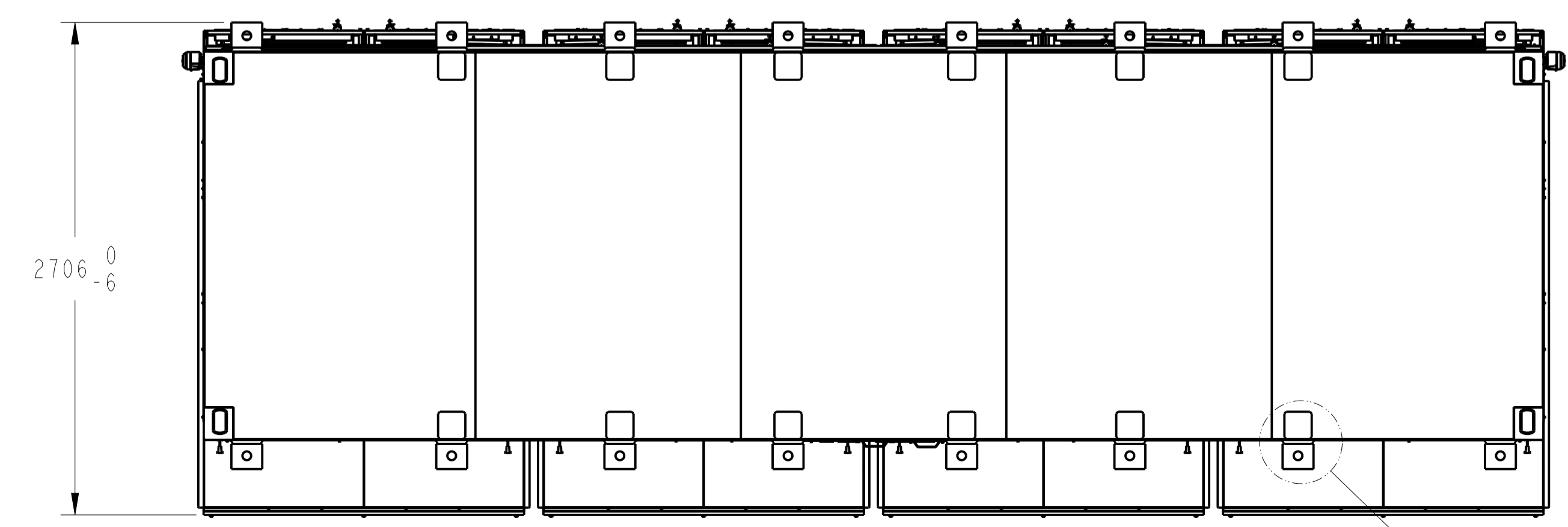
		REVISIONS		
REV	DESCRIPTION	ECN NO	DATE	APPROVED BY
A	INITIAL RELEASE	CR-006341	30/JAN/26	ANANTHA
B	ADDED DIMENSION, UPDATED VIEWS	CR-006641	06/FEB/26	ANANTHA



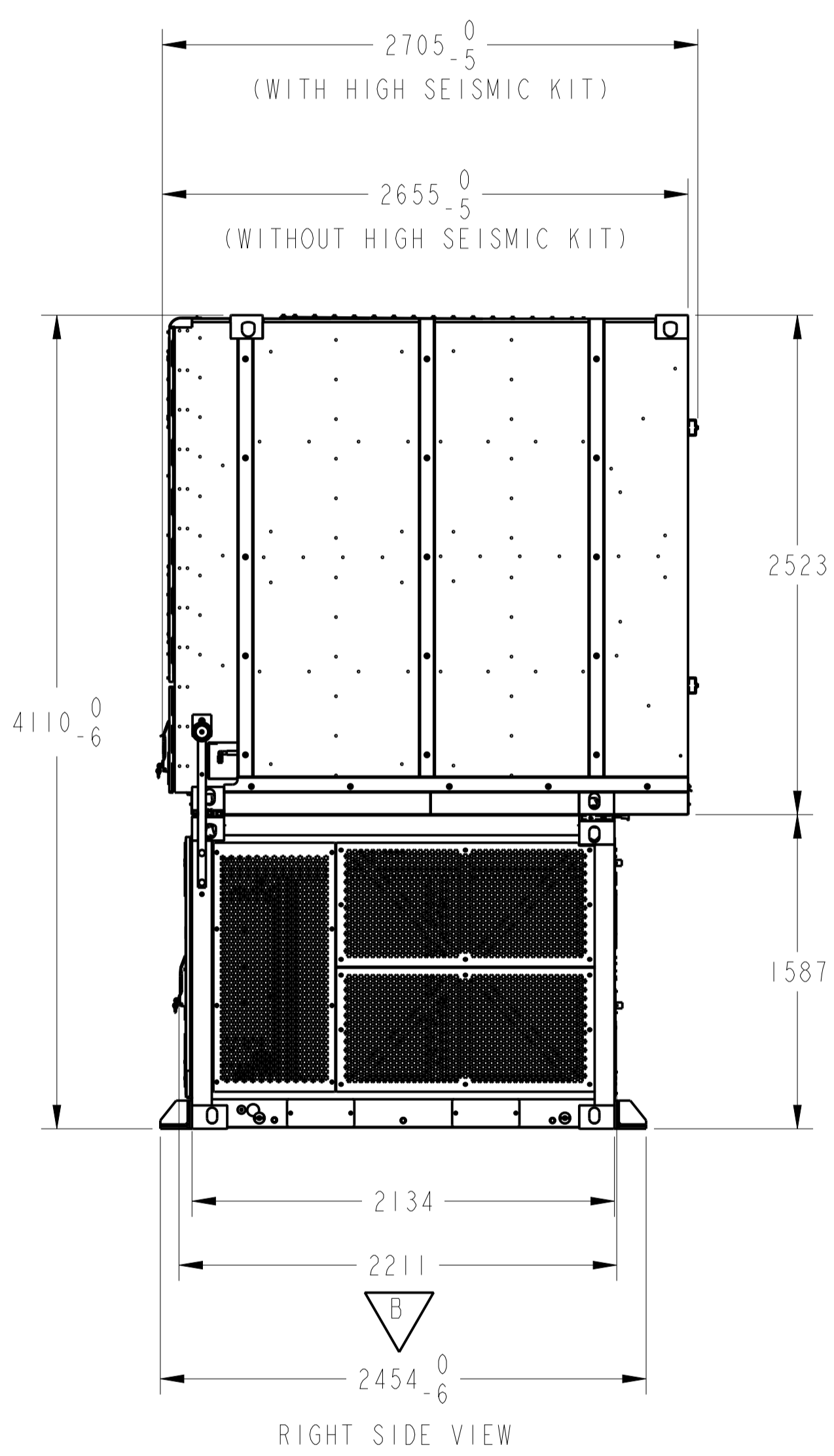
TOP VIEW



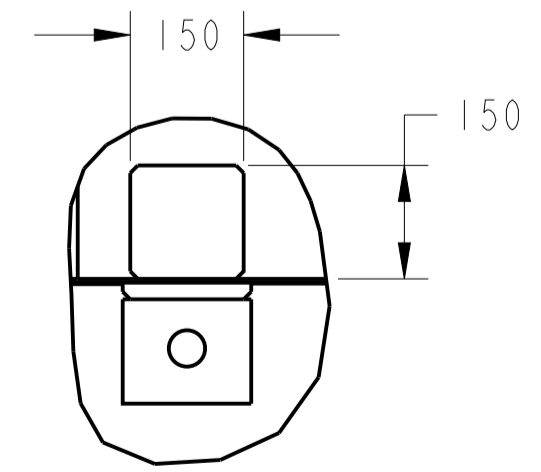
FRONT VIEW



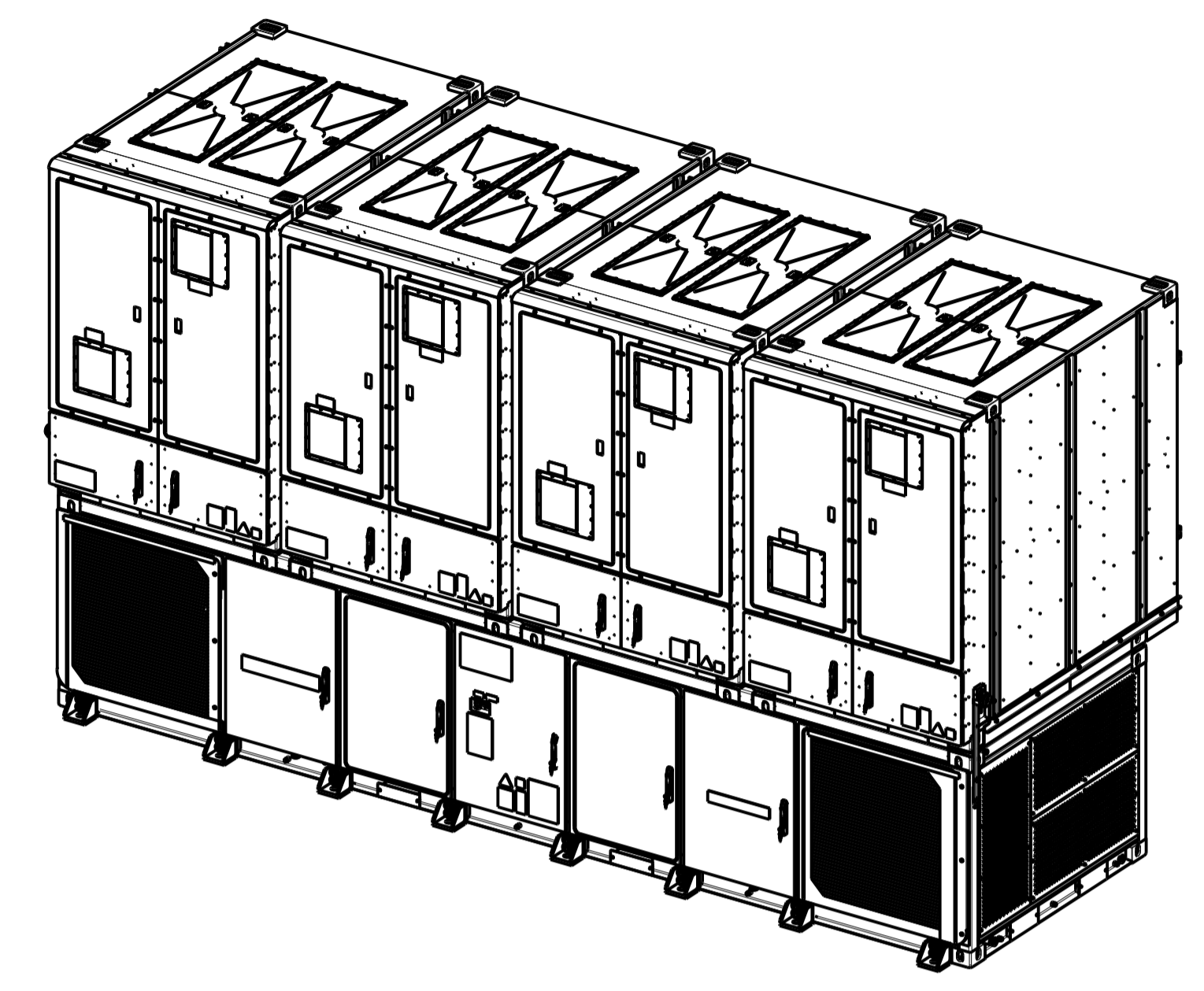
BOTTOM VIEW



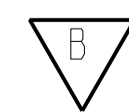
RIGHT SIDE VIEW



DETAIL A
SCALE 1:10
(12 PLACES)

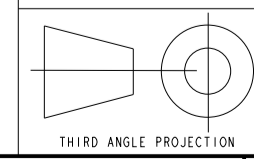


ISO VIEW



UNLESS OTHERWISE SPECIFIED ALL DIMENSIONS ARE IN MILLIMETERS (INCHES).
DIMENSIONS IN PARENTHESES ARE REFERENCED TO THE 1980 (ISO) AND 150 (2768-1)M.
INTERPRET DRAWING AS PER ASME Y14.5-2018.
MATERIAL: -

FLUENCE A Siemens and AES Company		DRAWN BY DHEERAJ	DATE 05/JAN/26
		CHECKED BY NEVIS	DATE 05/JAN/26
		APPROVED BY ANANTHA	DATE 30/JAN/26



TITLE SMART SATCK ASSY, LAYOUT DRAWING		REV B
SIZE A1	DRAWING NUMBER 1006656546	REV B
SCALE: NTS		SHEET 1 OF 2