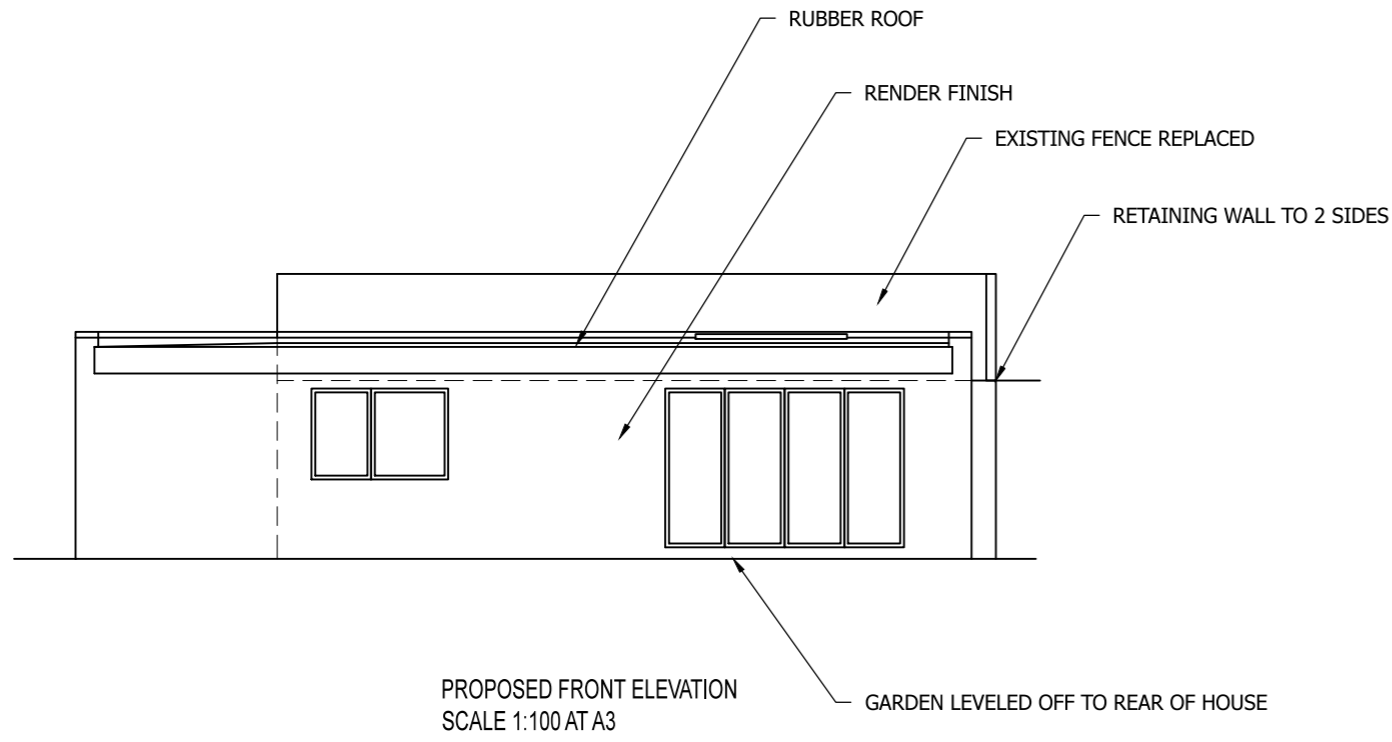


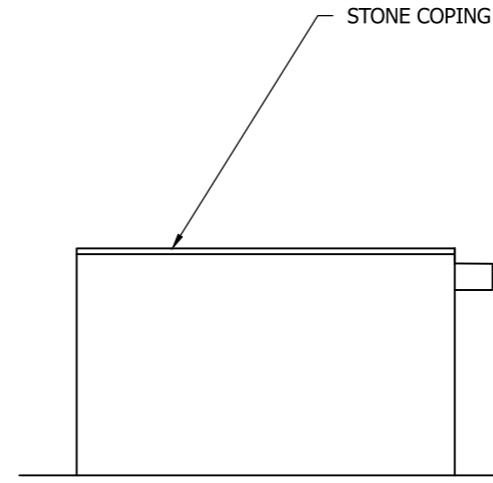
Drawing No.	Rev No.
MSW002 -003	

DO NOT SCALE: Contractor to check all dimensions and report any omissions or errors

NOTES



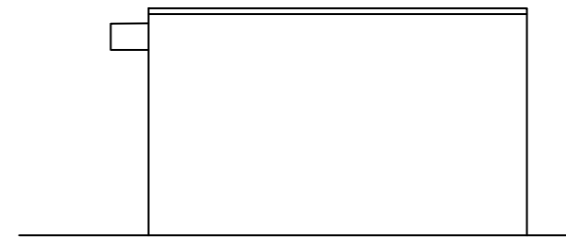
PROPOSED FRONT ELEVATION
SCALE 1:100 AT A3



PROPOSED SIDE ELEVATION
SCALE 1:100 AT A3



PROPOSED REAR ELEVATION
SCALE 1:100 AT A3



PROPOSED SIDE ELEVATION
SCALE 1:100 AT A3

Rev	Description	By	Chk	App	Date
-----	-------------	----	-----	-----	------

JRB DESIGNS Ltd
 1 Saville Road
 Cudworth
 Barnsley
 S72 8LT
 Tel: 01226 383542
 Fax: 01226 380078
 Mob: 07970 541192
 Email: john@jrbdesigns.co.uk

This drawing is copyright. © jrbdesigns Ltd.

Client
MRS S BOWMAN

Drawing Title
PROPOSED ELEVATIONS

Address
**14 INOVATION WAY
REDBROOK
BARNSELY
S75 2RX**

Project Title:
PROPOSED SINGLE STOREY ANNEX

Purpose of Issue:
CONSTRUCTION

Drawing Status
FIRST ISSUE

Scale at A3 AS SHOWN	Drawn By JRB	Date 02/08/2020
Checked By	Date 02/08/2020	Approved By Date 02/08/2020
Project No. MSW002	Drawing No. 003	Revision -

APPROVAL INFORMATION TENDER CONTRACT CONSTRUCTION